



QSeal Push-Pull Connectors

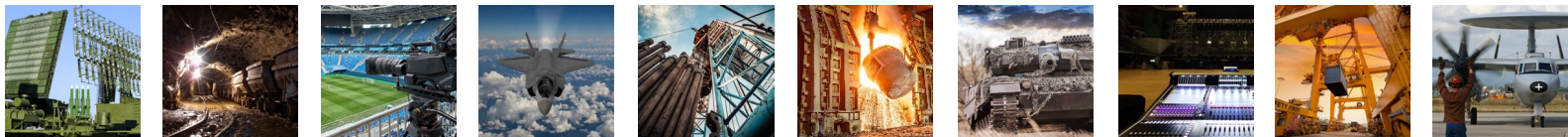


Proudly Designed, Manufactured
& Assembled in the USA



QPC is ISO 9001:2015 and
AS9100D Certified

Military Aerospace Defense Industrial Oil & Gas Mining Energy Marine Entertainment Audio Broadcast



Contents	
Product Introduction	Page 1
Specifications	Page 2
Part Number Builders	Page 3 - 5
Plug Line Drawings	Page 6 - 8
Receptacle Line Drawings	Page 9
QLine Adapter Line Drawings	Page 10
QSeal Receptacle Panel Cutout	Page 10
Termini, Accessories & Tools	Page 11



The QPC QSeal Connector line features 2 and 4 Channel Push-Pull Plugs that are IP67 Sealed (Dust Tight & Water Immersion to 1 Meter), and direct LC-Duplex interface panel mount receptacles. This allows simple integration into SFP Module based systems, because standard off-the-shelf patch cables can be used. QSeal plugs are available with standard straight backshells as well as 90-degree backshells for applications with limited clearance. QSeal Receptacles can be ordered with five different color-coded sealing gaskets for network visibility. QSeal connectors are designed using industry standard 1.25mm ceramic ferrules which can be installed in a customer's facility or in the field using common fiber optic termination equipment. Based on user feedback, QPC's design does not include shutters enabling easy cleaning, inspection, and maintenance.

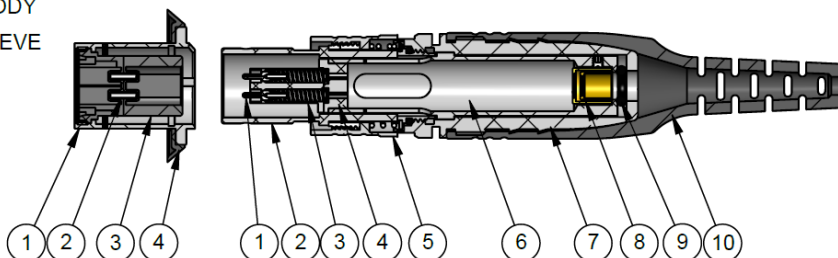
The QPC QLine Adapter is a stand-alone device that allows two QSeal plugs, or other plug types, to be connected. The QLine Adapter can also serve as a breakout from a plug to individual LC, ST, or SC connectors. Depending on system requirements, QLine Adapters can be configured in Straight or Crossed polarities.

The QPC QSeal Connector line is intermateable with Neutrik's opticalCON DUO and QUAD connectors, both ADVANCED and LITE versions.

The QPC QSeal Connectors are most commonly used in Broadcast, Pro-Audio, and Entertainment applications, but they are rugged enough for a variety of other systems and environments.

- 2Ch / 4Ch Pin & Socket Push-Pull Physical Contact Connector System
- Plugs: With and without Rubber Grip, Straight or 90 Degree Backshell
- Receptacles: XLR Compatible Flange Mount with direct LC Duplex Connection on the back
- Plugs accept Cable ODs up to 10.5mm to accommodate Armored Cable
- Intermateability: Neutrik opticalCON Duo (2Ch Fiber connectivity only, QPC's Plug does not have copper contacts and will always mate with Neutrik's Receptacle. Neutrik's Plug will mate with QPC's Receptacle if the copper contacts are not installed) and opticalCON Quad (4Ch version does not have an option for copper contacts, so there are no compatibility issues)
- QLine Adapter allows Plug to Plug Connections in longer systems
- Sealed to IP67

- ① RECEPTACLE BODY
- ② ALIGNMENT SLEEVE
- ③ INSERT
- ④ PANEL SEAL



- ① PIN TERMINI
- ② PLUG BODY
- ③ INSERT CAP
- ④ INSERT BACK
- ⑤ LOCKING RING
- ⑥ SPACER
- ⑦ BACKSHELL
- ⑧ CRIMP / CRIMP SUPPORT
- ⑨ CABLE SEAL
- ⑩ BEND LIMITER

Specifications:

Insertion Loss: SM (9/125µm)	0.15-0.45dB Max.
MM (50/125µm)	0.15-0.45dB Max.
MM (62.5/125µm)	0.15-0.45dB Max.
Return Loss: SM (9/125µm)	-55dB UPC
Operating Temperature:	-40°C to +75°C
Mating Durability:	> 500 Cycles
IP Rating:	IP67 - Dust Tight, No ingress of dust; complete protection against contact, Water Immersion, up to 1m
Material & Plating Specification:	Black Hard Anodize: 6061-T6 Aluminum; Anodize per MIL-A-8625 TYPE III CLASS 2, .0022/.0018 Thick (50% Penetration), Black

Specifications Notes:

* All Dimensions in this document are shown in Inches (Millimeters)

Part Number Builder - QSeal Plugs:

Sample Part Number: QSEAL-PEFN-02CH-S65	QSEAL	-	PEF	N	-	02CH	-	S65
1 <u>Series</u> QSEAL QSEAL90								
2 <u>Product Type</u> PEF - PLUG, FEMALE DUST COVER PGF - PLUG, RUBBER GRIP, FEMALE DUST COVER								
3 <u>Material & Finish Code</u> N - ALUMINUM, HARD ANODIZE, BLACK (CONSULT QPC FOR OTHER OPTIONS)								
4 <u>Channel Count</u> 02CH - 2 CHANNEL, 2x 125.5µm TERMINI 04CH - 4 CHANNEL, 4x 125.5µm TERMINI								
5 <u>Strain Relief</u> S45 - BACKSHELL, 3.6mm TO 4.5mm OD CABLE S55 - BACKSHELL, 4.6mm TO 5.5mm OD CABLE S65 - BACKSHELL, 5.6mm TO 6.5mm OD CABLE S75 - BACKSHELL, 6.6mm TO 7.5mm OD CABLE S85 - BACKSHELL, 7.6mm TO 8.5mm OD CABLE S95 - BACKSHELL, 8.6mm TO 9.5mm OD CABLE S105 - BACKSHELL, 9.6mm TO 10.5mm OD CABLE (CONSULT QPC FOR OTHER OPTIONS)								

Part Number Builder Notes:

- * Strain Relief Options S45 to S65 use a Brass Crimp for Cable Retention
- * Strain Relief Options S75 to S105 use a three-piece Wedge System for Cable Retention
- * PEF Type Plugs (No Rubber Grip) are only available with Strain Relief Options S45, S55, and S65
- * PGF Type Plugs (Rubber Grip) are available with All Strain Relief Options S45 to S105
- * For Spare Termini, Accessories, and Tools see Page 11

Part Number Builder - QSeal Receptacles:

<p>Sample Part Number: QSEAL-RMN-02CH-WH</p>	QSEAL	-	RM	N	-	02CH	-	WH
<p>1 <u>Series</u> QSEAL</p>								
<p>2 <u>Product Type</u> RM - RECP FLANGE MOUNT, RUBBER SEAL / DUST COVER</p>								
<p>3 <u>Material & Finish Code</u> N - ALUMINUM, HARD ANODIZE, BLACK (CONSULT QPC FOR OTHER OPTIONS)</p>								
<p>4 <u>Channel Count</u> 02CH - 2 CHANNEL 04CH - 4 CHANNEL</p>								
<p>5 <u>Seal / Dust Cover</u> (OMIT FOR BLACK PANEL SEAL) BL - BLUE PANEL SEAL GR - GREEN PANEL SEAL RD - RED PANEL SEAL WH - WHITE PANEL SEAL</p>								

Part Number Builder - QLine Adapter:

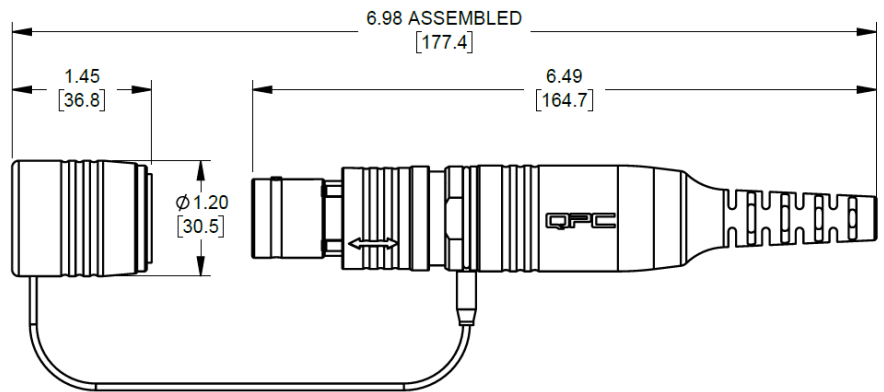
Sample Part Number: QLINE-QSEAL-QSEAL-N-02MM-50C		QLINE	-	QSEAL	-	QSEAL	-	N	-	02	MM	-	50	C
1	Series QLINE													
2	Adapter Side A QSEAL - RECEPTACLE, QSEAL QMINI - RECEPTACLE, QMINI Rx QMICRO - RECEPTACLE, QMICRO Rx LC - LC ADAPTER ST - ST ADAPTER SC - SC ADAPTER (CONSULT QPC FOR OTHER OPTIONS)													
3	Adapter Side B QSEAL - RECEPTACLE, QSEAL QMINI - RECEPTACLE, QMINI Rx QMICRO - RECEPTACLE, QMICRO Rx LC - LC ADAPTER ST - ST ADAPTER SC - SC ADAPTER (CONSULT QPC FOR OTHER OPTIONS)													
4	Material and Plating N - ALUMINUM, HARD ANODIZE, BLACK (CONSULT QPC FOR OTHER OPTIONS)													
5	Channel Count 02 - 2 CHANNEL 04 - 4 CHANNEL													
6	Fiber Type SM - SINGLEMODE, 1310/1550nm MM - MULTIMODE, 850/1300nm													
7	Fiber Size 09 - 9/125µm SINGLEMODE 50 - 50/125µm MULTIMODE (OM4) 62 - 62.5/125µm MULTIMODE (OM1)													
8	Polarity C - Crossed S - Straight (CONSULT QPC FOR WIRING DIAGRAM)													



Part Number Shown: QLINE-QSEAL-QSEAL-N-02MM-50C

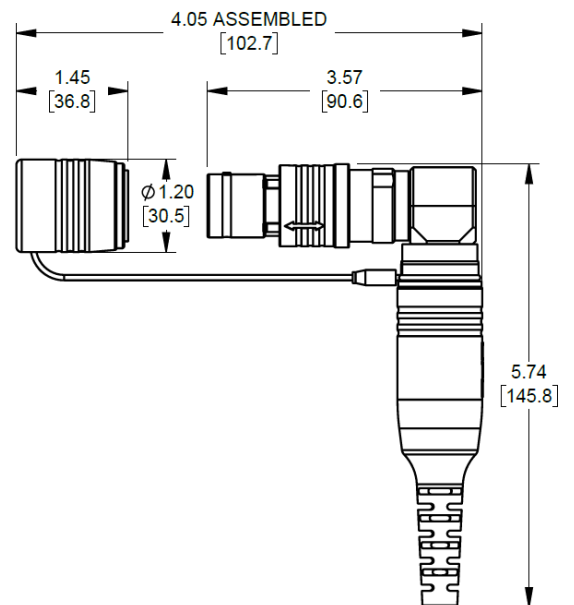
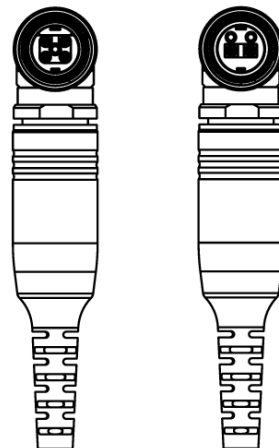
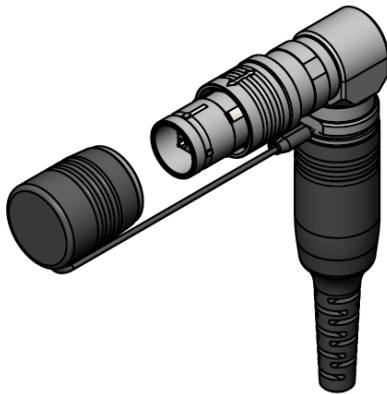
QSeal Plug, Rubber Grip, Female Dust Cover (Cable OD Range: 3.6mm – 6.5mm):

QSEAL-PGFN-XXCH-SXX



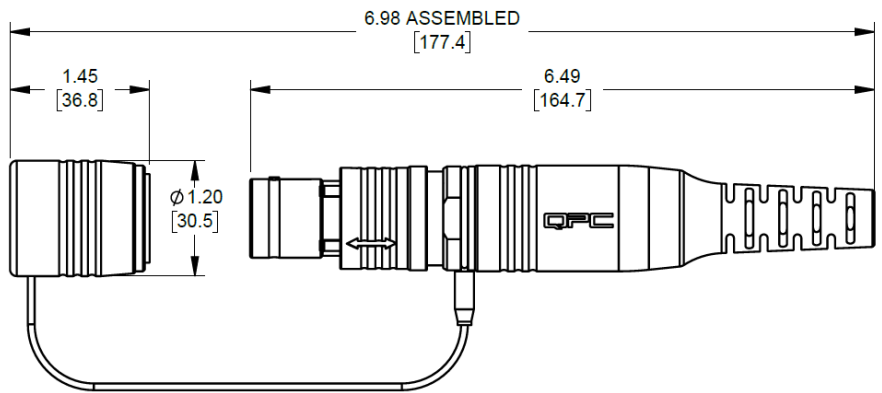
QSeal 90° Plug, Rubber Grip, Female Dust Cover (Cable OD Range: 3.6mm – 6.5mm):

QSEAL90-PGFN-XXCH-SXX



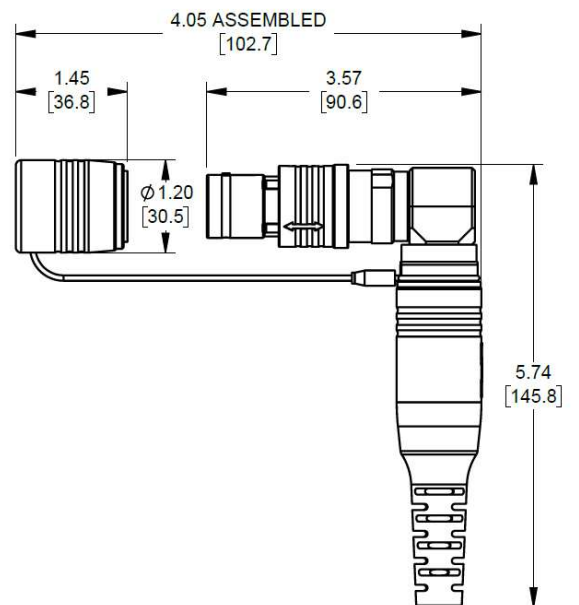
QSeal Plug, Rubber Grip, Female Dust Cover (Cable OD Range: 6.6mm – 10.5mm):

QSEAL-PGFN-XXCH-SXX



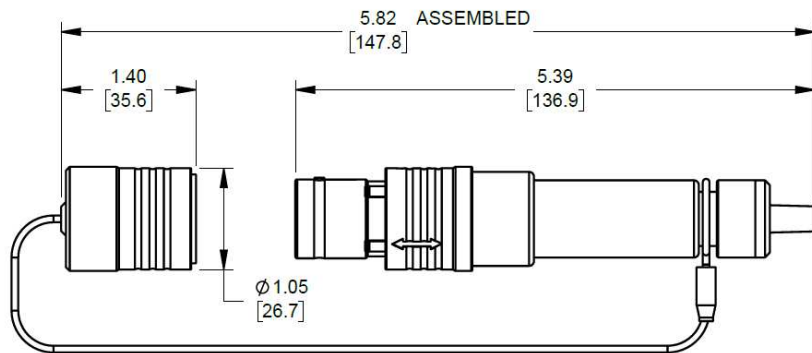
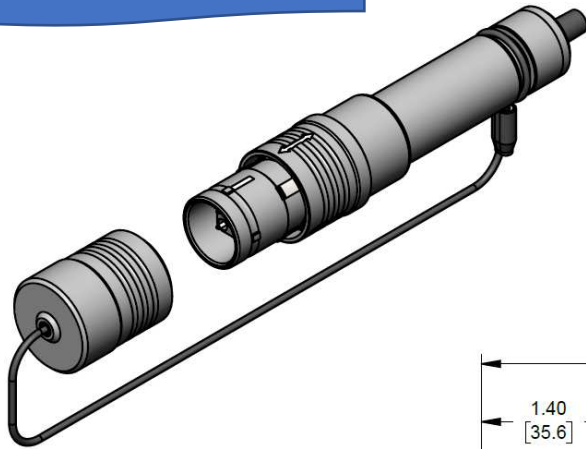
QSeal 90° Plug, Rubber Grip, Female Dust Cover (Cable OD Range: 6.6mm – 10.5mm):

QSEAL90-PGFN-XXCH-SXX



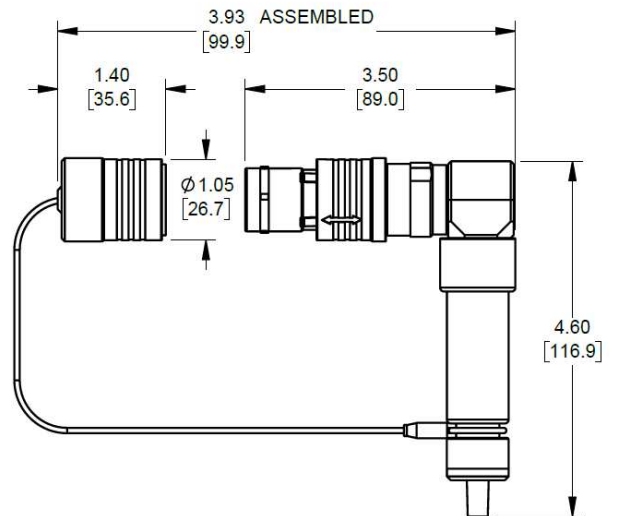
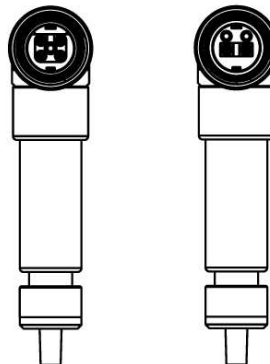
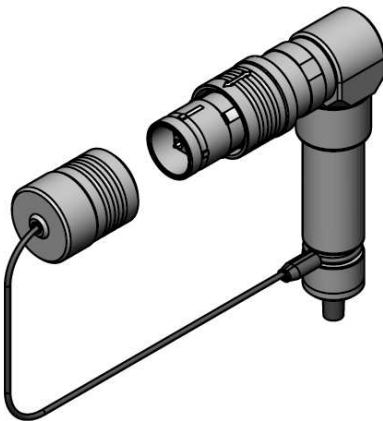
QSeal Plug, Female Dust Cover (Cable OD Range: 3.6mm – 6.5mm):

QSEAL-PEFN-XXCH-SXX



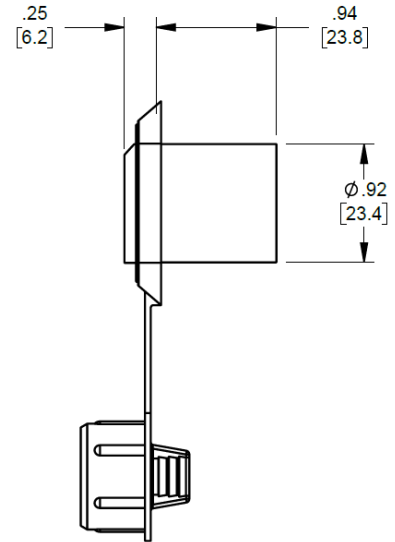
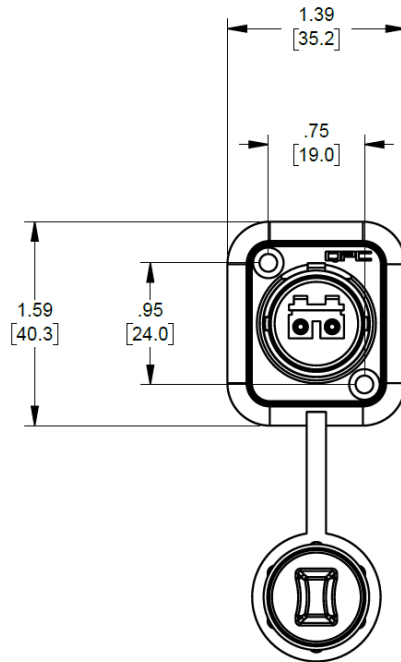
QSeal 90° Plug, Female Dust Cover (Cable OD Range: 3.6mm – 6.5mm):

QSEAL90-PEFN-XXCH-SXX



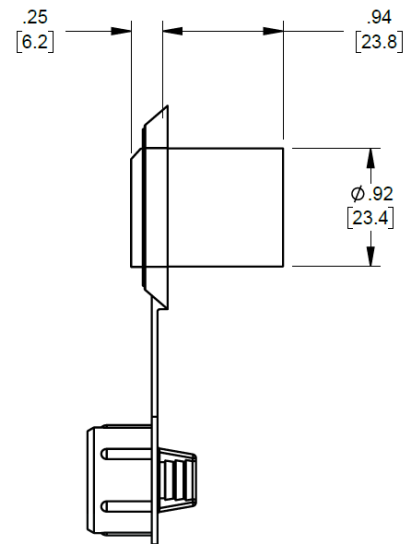
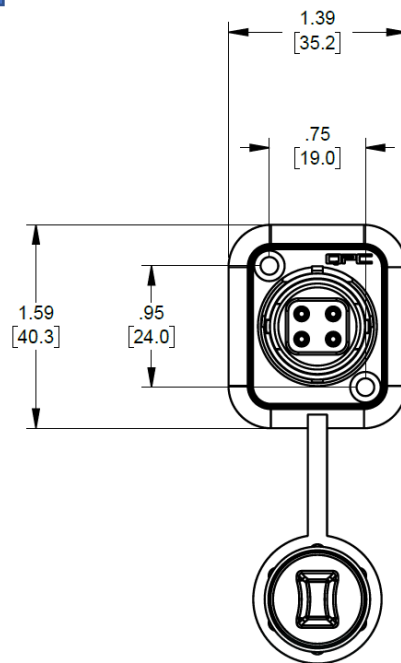
QSeal Receptacle, 2 Channel, Seal / Dust Cover:

QSEAL-RMN-02CH-XX



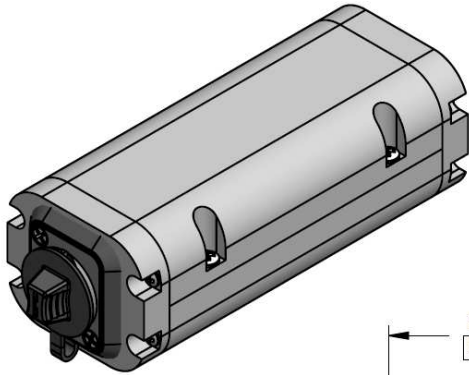
QSeal Receptacle, 4 Channel, Seal / Dust Cover:

QSEAL-RMN-04CH-XX

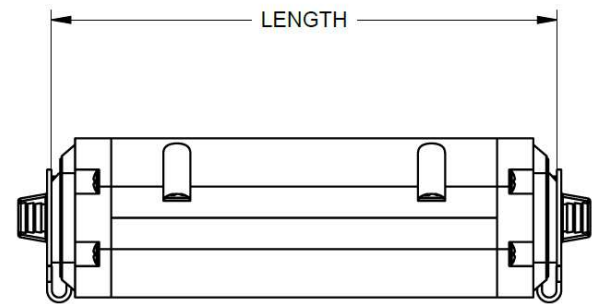
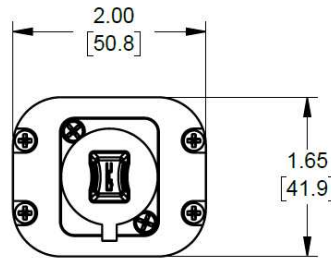


QLine Adapter:

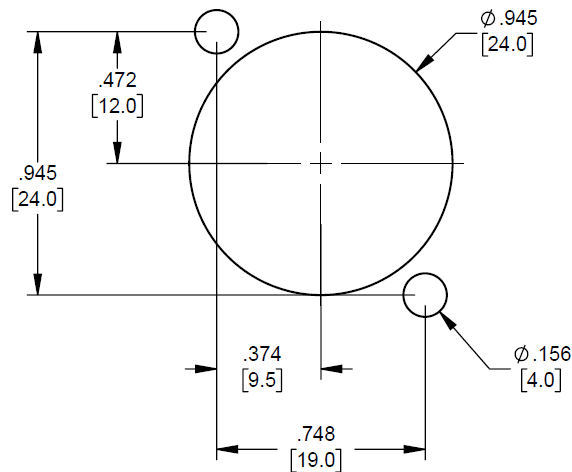
QLINE-XXXXX-XXXXX-N-XXXX-XXX



CONFIGURATION	LENGTH
QSEAL - QSEAL	5.24
QMINI-QMINI	6.56
QMICRO-QMICRO	6.32
LC-LC	5.77
ST-ST	5.78
SC-SC	5.69



QSeal Receptacle Panel Cutout:



Flange Mount (RM)

QSeal Termini:

PART NUMBER	DESCRIPTION
QSEAL-TRM	Terminus Assembly; QSeal; 1.25mm Ferrule OD; 125.5µm Singlemode / Multimode

QSeal Replacement Dust Covers:

PART NUMBER	DESCRIPTION
QSEAL-DCPEN	Dust Cover; QSeal Plug; Female; Aluminum; Hard Anodize; Black
QSEAL-DCPGN	Dust Cover; QSeal Plug; Female; Aluminum; Hard Anodize; Black; with Rubber Grip
QSEAL-DCRG	Dust Cover and Seal Kit; QSeal Receptacle; Rubber; Black
QSEAL-DCRGBL	Dust Cover and Seal Kit; QSeal Receptacle; Rubber; Blue
QSEAL-DCRGGR	Dust Cover and Seal Kit; QSeal Receptacle; Rubber; Green
QSEAL-DCRGRD	Dust Cover and Seal Kit; QSeal Receptacle; Rubber; Red
QSEAL-DCRGWH	Dust Cover and Seal Kit; QSeal Receptacle; Rubber; White
QSEAL-DCREN	Dust Cover; QSeal Receptacle; Male; Aluminum; Hard Anodize; Black

QSeal Tools:

PART NUMBER	DESCRIPTION
TK-050	QSeal Tool Kit (Includes all items below)
PT-317	QSeal 2Ch and 4Ch Torque Fixture Stand
PT-316	QSeal 2Ch Torque Fixture
PT-315	QSeal 4Ch Torque Fixture
PT-540	Hydraulic Crimping Tool
PT-541	Die Set, 0.314 Hex for Hydraulic Hand Crimper

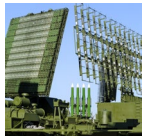
Notes & Sketches:

A large grid area for notes and sketches, consisting of 20 columns and 30 rows of empty squares.

QFC

FIBER OPTIC

Military



Aerospace



Defense



Industrial



Oil & Gas



Mining



Energy



Marine



Entertainment



Audio



Broadcast