



# QMicro Expanded Beam

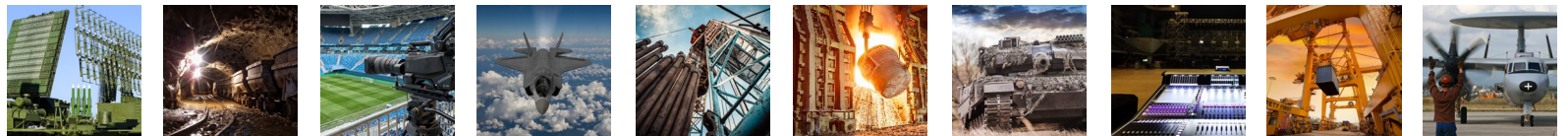


Proudly Designed, Manufactured  
& Assembled in the USA



QPC is ISO 9001:2015 and  
AS9100D Certified

Military Aerospace Defense Industrial Oil & Gas Mining Energy Marine Entertainment Audio Broadcast



<b>Contents</b>	
<b>Product Introduction</b>	<b>Page 1</b>
<b>Specifications</b>	<b>Page 2</b>
<b>Part Number Builders</b>	<b>Page 3 - 7</b>
<b>Plug Line Drawings</b>	<b>Page 8 - 14</b>
<b>Receptacle Line Drawings</b>	<b>Page 15 - 32</b>
<b>Receptacle &amp; LC Adapter Panel Cutouts</b>	<b>Page 33</b>
<b>Termini, Accessories &amp; Tools</b>	<b>Page 34 - 36</b>

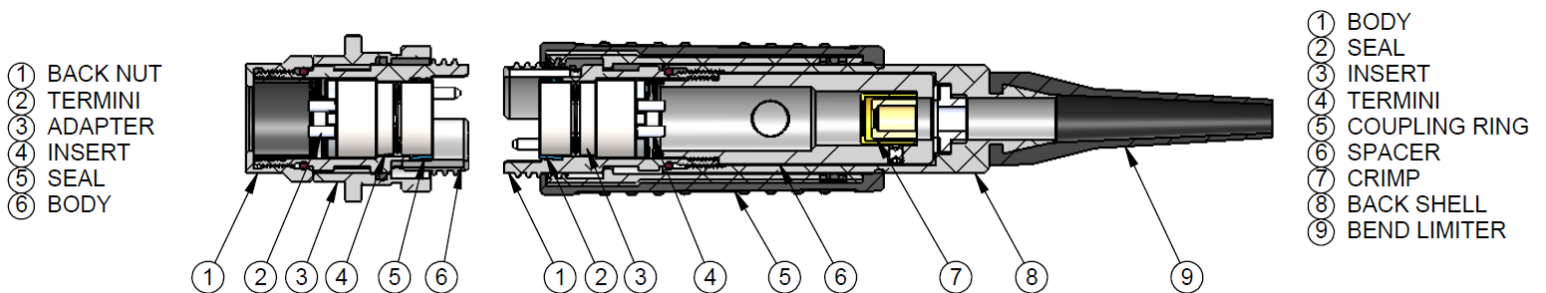


QPC's QMicro Expanded Beam Fiber Optic Connectors are smaller versions of QPC's QMini connectors which are designed to meet the requirements of MIL-DTL-83526/20 & /21 Military Specifications. Expanded Beam fiber optic connectors are designed to operate in harsh environments, they use non-physical contact fiber optic termini that are fully sealed behind an anti-reflective coated ball lens. This lens expands the beam to many times its original size aiding optical alignment and minimizing the effects of dust, debris, vibration, and other environmental conditions. Because there is no wear on the optical surfaces / end faces of the termini during use, the QMicro connector has excellent durability, in excess of 3,000 mating cycles, providing a long service life interconnect solution.

QMicro is a hermaphroditic connector allowing multiple plug-to-plug cable assemblies to be combined to extend the length of the system. These connectors are available with two or four channels and with singlemode or multimode lenses. In addition to the standard plugs and receptacles, QPC offers 45 and 90 Degree Backshell option, and a Low Profile Backshell for Receptacles for applications with space constraints. A QMicro Receptacle to LC Adapter is also offered which provides a QMicro interface on one end and LC Duplex on the other.

QMicro Connectors are used in Military, Aerospace, Defense, Mining, Factory Automation, Heavy Equipment, Marine, Broadcast, Entertainment, and Pro-Audio for Communications, Audio / Video, and Sensing Applications.

- 2Ch / 4Ch Hermaphroditic Expanded Beam Connector System
- Plugs: With and without Rubber Grip, with Straight, 45, or 90 Degree Backshells
- Receptacles: Jam Nut, Flange Mount, and XLR Compatible Flange Mount, with or without Backshells, QMicro to LC adapter
- Standard Cable OD up to 7.5mm, Extended Heat Shrink Strain Relief up to 9.5mm
- Epoxy Cup Termini Available to Terminate 2mm Simplex Cables directly to a Receptacle without a Backshell
- Intermateability: Tyco Pro Beam Mini, Stratos HMC, Fibreco Mini 2, Telecast MX
- Low Profile Receptacle Backshell Available for 2mm Simplex Cables
- Sealed to IP68



## Specifications:

<b>Insertion Loss: SM (9/125µm)</b>	0.75-2.0dB Max.
<b>MM (50/125µm)</b>	0.50-1.5dB Max.
<b>MM (62.5/125µm)</b>	0.50-1.5dB Max.
<b>Return Loss: SM (9/125µm)</b>	-34dB
<b>Operating Temperature:</b>	-46°C to +85°C
<b>Vibration:</b>	10 to 2000Hz / 10g, EIA/TIA-455-11, Condition III and 10 to 2000Hz / 20g / 9g RMS Avg, EIA/TIA-455-11, Condition IV
<b>Mating Durability:</b>	3000 Cycles
<b>Impact:</b>	8 Impacts @ 8FT (2.5MT), EIA/TIA-455-2
<b>Shock:</b>	50g for 11ms, EIA/TIA-455-14, Condition A
<b>IP Rating:</b>	QMicro, QMicro45S, QMicro90S Plugs and Receptacles with Backshells: IP68 - Dust Tight, No ingress of dust; complete protection against contact, Water Immersion, 1m Testing Conditions & Duration – Plug with Dust Cover and Mated Plug / Receptacle, 3 Meters for 24 Hours  QMicro90 Plugs, QMicro Low Profile Receptacles, QMicro LC Adapters, and QMicro Receptacles without Backshells: IP50 - Dust Protected, Limited ingress of dust; Complete protection against contact
<b>Material &amp; Plating Specification:</b>	Black Hard Anodize: 6061-T6 Aluminum; Anodize per MIL-A-8625 TYPE III CLASS 2, .0022/.0018 Thick (50% Penetration), Black  Stainless Steel: 303 Stainless Steel; PASSIVATE PER QQ-P-35  Olive Drab Zinc-Nickel: 6061-T6 Aluminum; Zinc-Nickel Followed by Olive Drab Chromate per AMS-2417 Electroless Nickel Plate .0003 to .00035 thickness as per AMS-C-26074 Alkaline Zinc-Nickel Plate .0003 to .0004 thickness as per AMS 2417 "H" TY 2 Zinc Strike - .00005 - .000150 Thickness per ASTM B 633 "11" Dark Green Olive Drab Chromate  Black Zinc-Nickel: 6061-T6 Aluminum; Zinc-Nickel Followed by Black Chromate per AMS-2417 Electroless Nickel Plate .0003 to .00035 thickness as per AMS-C-26074 Alkaline Zinc-Nickel Plate .0003 to .0004 thickness as per AMS 2417 "H" TY 2 Zinc Strike - .00005 - .000150 Thickness per ASTM B 633 "11" Black Chromate

## Specifications Notes:

\* All Dimensions in this document are shown in Inches (Millimeters)

## Part Number Builder - QMicro Plugs and Receptacles:

<b>Sample Part Number:</b> <b>QMICRO-PHHN-02SM-S75</b>	<b>QMICRO</b>	-	<b>PHH</b>	<b>N</b>	-	<b>02</b>	<b>SM</b>	-	<b>S75</b>
<b>1 Series</b> QMICRO									
<b>2 Product Type</b> PHH - PLUG, W/ RUBBER GRIP, COMPOSITE DUST COVER PEE - PLUG, W/ METAL COUPLING RING, METAL DUST COVER RFH - RECP FLANGE MOUNT, COMPOSITE DUST COVER RFE - RECP FLANGE MOUNT, METAL DUST COVER RJH - RECP JAM NUT, COMPOSITE DUST COVER RJE - RECP JAM NUT, METAL DUST COVER RXH - RECP FLANGE MOUNT RX, COMPOSITE DUST COVER RXE - RECP FLANGE MOUNT RX, METAL DUST COVER									
<b>3 Material &amp; Finish Code</b> N - ALUMINUM, HARD ANODIZE, BLACK S - STAINLESS STEEL, PASSVATED Z - ALUMINUM, ZINC OVER NICKEL, OLIVE DRAB K - ALUMINUM, ZINC OVER NICKEL, BLACK (CONSULT QPC FOR OTHER OPTIONS)									
<b>4 Channel Count</b> 02 - 2 CHANNEL, 2x 125.5µm TERMINI 04 - 4 CHANNEL, 4x 125.5µm TERMINI 00 - NO INSERT OR TERMINI (MUST BE ORDERED WITH STRAIN RELIEF "SXX")*									
<b>5 Fiber Type</b> SM - SINGLEMODE, 1310/1550nm MM - MULTIMODE, 850/1300nm XX - NO INSERT OR TERMINI (MUST BE ORDERED WITH STRAIN RELIEF "SXX")*									
<b>6 Strain Relief</b> S00 - NO BACKSHELL, NO CRIMPS (FOR 900µm BUFFER FIBER) (RECEPTACLE ONLY) SE2 - NO BACKSHELL, EPOXY CUP TERMINI FOR 2MM CABLE OD (RECEPTACLE ONLY) S45 - STRAIN RELIEF FOR 3.6mm TO 4.5mm OD CABLE S55 - STRAIN RELIEF FOR 4.6mm TO 5.5mm OD CABLE S65 - STRAIN RELIEF FOR 5.6mm TO 6.5mm OD CABLE S75 - STRAIN RELIEF FOR 6.6mm TO 7.5mm OD CABLE S95 - HEAT SHRINK STRAIN RELIEF FOR 7.6mm TO 9.5mm OD CABLE SXX - NO CABLE INTERFACE KIT, STANDARD STRAIN RELIEF (MUST BE ORDERED WITH CHANNEL COUNT "00" AND FIBER TYPE "XX")* S9X - NO CABLE INTERFACE KIT, HEAT SHRINK STRAIN RELIEF (MUST BE ORDERED WITH CHANNEL COUNT "00" AND FIBER TYPE "XX")*									

## Part Number Builder Notes:

\* For Spare Termini, Insert, and Cable Interface Kit ordering information, see Pages 34 - 36

## Part Number Builder - QMicro Plugs and Receptacles with 45° and 90° Sealed Backshells:

<b>Sample Part Number:</b> <b>QMICRO90S-PHHN-02SM-S75</b>	<b>QMICRO90S</b>	-	<b>PHH</b>	<b>N</b>	-	<b>02</b>	<b>SM</b>	-	<b>S75</b>
<b>1 Series</b> QMICRO45S QMICRO90S									
<b>2 Product Type</b> PEH - PLUG, W/ METAL COUPLING RING, COMPOSITE DUST COVER PEE - PLUG, W/ METAL COUPLING RING, METAL DUST COVER RJH - RECP JAM NUT, COMPOSITE DUST COVER RJE - RECP JAM NUT, METAL DUST COVER									
<b>3 Material &amp; Finish Code</b> N - ALUMINUM, HARD ANODIZE, BLACK S - STAINLESS STEEL, PASSIVATED Z - ALUMINUM, ZINC OVER NICKEL, OLIVE DRAB K - ALUMINUM, ZINC OVER NICKEL, BLACK (CONSULT QPC FOR OTHER OPTIONS)									
<b>4 Channel Count</b> 02 - 2 CHANNEL, 2x 125.5µm TERMINI 04 - 4 CHANNEL, 4x 125.5µm TERMINI 00 - NO INSERT OR TERMINI (MUST BE ORDERED WITH STRAIN RELIEF "SXX")*									
<b>5 Fiber Type</b> SM - SINGLEMODE, 1310/1550nm MM - MULTIMODE, 850/1300nm XX - NO INSERT OR TERMINI (MUST BE ORDERED WITH STRAIN RELIEF "SXX")*									
<b>6 Strain Relief</b> S45 - STRAIN RELIEF FOR 3.6mm TO 4.5mm OD CABLE S55 - STRAIN RELIEF FOR 4.6mm TO 5.5mm OD CABLE S65 - STRAIN RELIEF FOR 5.6mm TO 6.5mm OD CABLE S75 - STRAIN RELIEF FOR 6.6mm TO 7.5mm OD CABLE S95 - HEAT SHRINK STRAIN RELIEF FOR 7.6mm TO 9.5mm OD CABLE SXX - NO CABLE INTERFACE KIT, STANDARD STRAIN RELIEF (MUST BE ORDERED WITH CHANNEL COUNT "00" AND FIBER TYPE "XX")* S9X - NO CABLE INTERFACE KIT, HEAT SHRINK STRAIN RELIEF (MUST BE ORDERED WITH CHANNEL COUNT "00" AND FIBER TYPE "XX")*									

### Part Number Builder Notes:

\* For Spare Termini, Insert, and Cable Interface Kit ordering information, see Pages 34 - 36

## Part Number Builder - QMicro Plugs with 90° Backshells (Clamshell Design):

Sample Part Number: <b>QMICRO90-PHHN-02SM-S75</b>		<b>QMICRO90</b>	-	<b>PHH</b>		<b>N</b>	-	<b>02</b>		<b>SM</b>	-	<b>S75</b>
<b>1</b>	<b>Series</b> QMICRO90											
<b>2</b>	<b>Product Type</b> PEH - PLUG, W/ METAL COUPLING RING, COMPOSITE DUST COVER PEE - PLUG, W/ METAL COUPLING RING, METAL DUST COVER											
<b>3</b>	<b>Material &amp; Finish Code</b> N - ALUMINUM, HARD ANODIZE, BLACK S - STAINLESS STEEL, PASSIVATED (CONSULT QPC FOR OTHER OPTIONS)											
<b>4</b>	<b>Channel Count</b> 02 - 2 CHANNEL, 2x 125.5µm TERMINI 04 - 4 CHANNEL, 4x 125.5µm TERMINI 00 - NO INSERT OR TERMINI (MUST BE ORDERED WITH STRAIN RELIEF "SXX")*											
<b>5</b>	<b>Fiber Type</b> SM - SINGLEMODE, 1310/1550nm MM - MULTIMODE, 850/1300nm XX - NO INSERT OR TERMINI (MUST BE ORDERED WITH STRAIN RELIEF "SXX")*											
<b>6</b>	<b>Strain Relief</b> S45 - STRAIN RELIEF FOR 3.6mm TO 4.5mm OD CABLE S55 - STRAIN RELIEF FOR 4.6mm TO 5.5mm OD CABLE S65 - STRAIN RELIEF FOR 5.6mm TO 6.5mm OD CABLE S75 - STRAIN RELIEF FOR 6.6mm TO 7.5mm OD CABLE SXX - NO CABLE INTERFACE KIT (MUST BE ORDERED WITH CHANNEL COUNT "00" AND FIBER TYPE "XX")*											

### Part Number Builder Notes:

\* For Spare Termini, Insert, and Cable Interface Kit ordering information, see Pages 34 - 36



Part Number Shown: QMICRO90-PEHN-04SM-S75



## Part Number Builder - QMicro Receptacle with Low Profile Backshells:

<b>Sample Part Number:</b> <b>QMICRO-RFHN-02SM-L42</b>	<b>QMICRO</b>	-	<b>RFH</b>	<b>N</b>	-	<b>02</b>	<b>SM</b>	-	<b>L42</b>
<b>1 Series</b> QMICRO									
<b>2 Product Type</b> RFH - RECP FLANGE MOUNT, COMPOSITE DUST COVER RFE - RECP FLANGE MOUNT, METAL DUST COVER RJH - RECP JAM NUT, COMPOSITE DUST COVER RJE - RECP JAM NUT, METAL DUST COVER RXH - RECP FLANGE MOUNT RX, COMPOSITE DUST COVER RXE - RECP FLANGE MOUNT RX, METAL DUST COVER									
<b>3 Material &amp; Finish Code</b> N - ALUMINUM, HARD ANODIZE, BLACK S - STAINLESS STEEL, PASSMATED Z - ALUMINUM, ZINC OVER NICKEL, OLIVE DRAB K - ALUMINUM, ZINC OVER NICKEL, BLACK (CONSULT QPC FOR OTHER OPTIONS)									
<b>4 Channel Count</b> 02 - 2 CHANNEL, 2x 125.5µm TERMINI 04 - 4 CHANNEL, 4x 125.5µm TERMINI 00 - NO INSERT OR TERMINI (MUST BE ORDERED WITH STRAIN RELIEF "LXX")*									
<b>5 Fiber Type</b> SM - SINGLEMODE, 1310/1550nm MM - MULTIMODE, 850/1300nm XX - NO INSERT OR TERMINI (MUST BE ORDERED WITH STRAIN RELIEF "LXX")*									
<b>6 Strain Relief</b> L42 - STRAIN RELIEF FOR 4X 2mm OD INDIVIDUAL JACKETED FIBERS L45 - STRAIN RELIEF FOR 3.6mm TO 4.5mm OD CABLE L55 - STRAIN RELIEF FOR 4.6mm TO 5.5mm OD CABLE L65 - STRAIN RELIEF FOR 5.6mm TO 6.5mm OD CABLE LXX - NO CABLE CRIMPS (MUST BE ORDERED WITH CHANNEL COUNT "00" AND FIBER TYPE "XX")*									

### Part Number Builder Notes:

\* For Spare Termini, Insert, and Cable Interface Kit ordering information, see Pages 34 - 36



Part Number Shown: QMICRO-RXHN-04SM-L42



## Part Number Builder - QMicro LC Adapter:

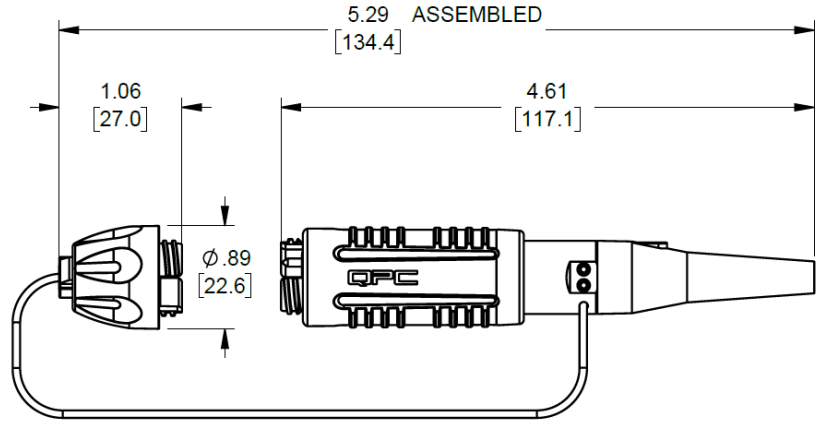
Sample Part Number: <b>QMICROLC-RJHN-02SM-09</b>		<b>QMICROLC</b>	-	<b>RJH</b>		<b>N</b>	-	<b>02</b>		<b>SM</b>	-	<b>09</b>
<b>1</b>	<b>Series</b> QMICROLC											
<b>2</b>	<b>Product Type</b> RJH - RECP JAM NUT, COMPOSITE HERM DUST COVER RJE - RECP JAM NUT, METAL HERM DUST COVER											
<b>3</b>	<b>Material &amp; Finish Code</b> N - ALUMINUM, BLACK HARD ANODIZE S - STAINLESS STEEL, PASSIVATED Z - ALUMINUM, ZINC OVER NICKEL, OLIVE DRAB K - ALUMINUM, ZINC OVER NICKEL, BLACK (CONSULT QPC FOR OTHER OPTIONS)											
<b>4</b>	<b>Channel Count</b> 02 - 2 CHANNEL 04 - 4 CHANNEL											
<b>5</b>	<b>Fiber Type</b> SM - SINGLEMODE, 1310/1550nm MM - MULTIMODE, 850/1300nm											
<b>6</b>	<b>Fiber Size</b> 09 - 9/125µm SINGLEMODE 50 - 50/125µm MULTIMODE (OM4) 62 - 62.5/125µm MULTIMODE (OM1)											



Part Number Shown: QMICROLC-RJHN-02SM-09

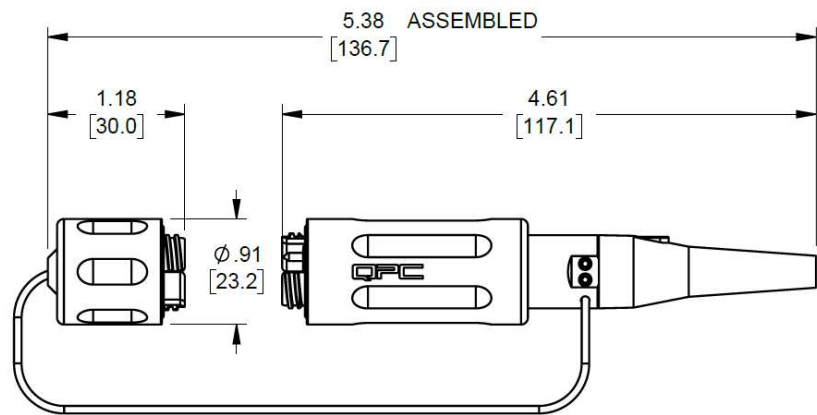
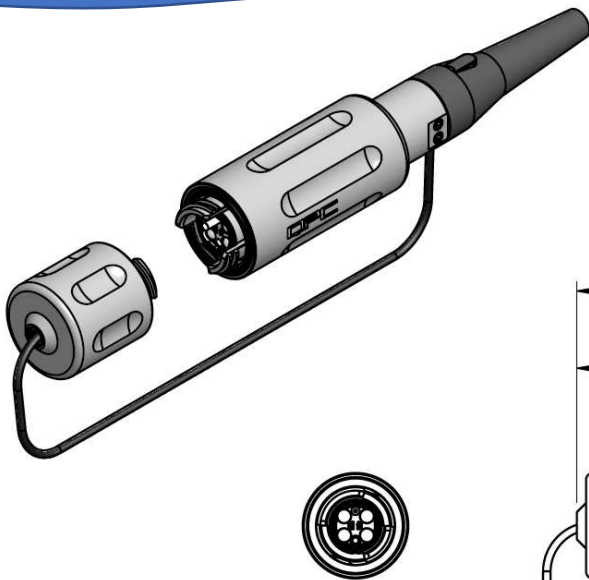
## QMicro Plug, Hermaphroditic, Composite Dust Cover:

QMICRO-PHHX-XXXX-SXX



## QMicro Plug, Hermaphroditic, Metal Coupling Ring, Metal Dust Cover:

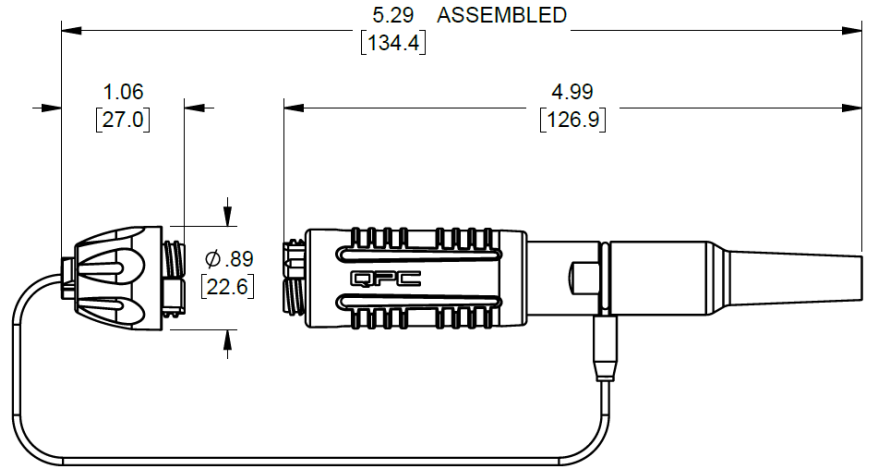
QMICRO-PEEX-XXXX-SXX



# QMicro Expanded Beam Connectors

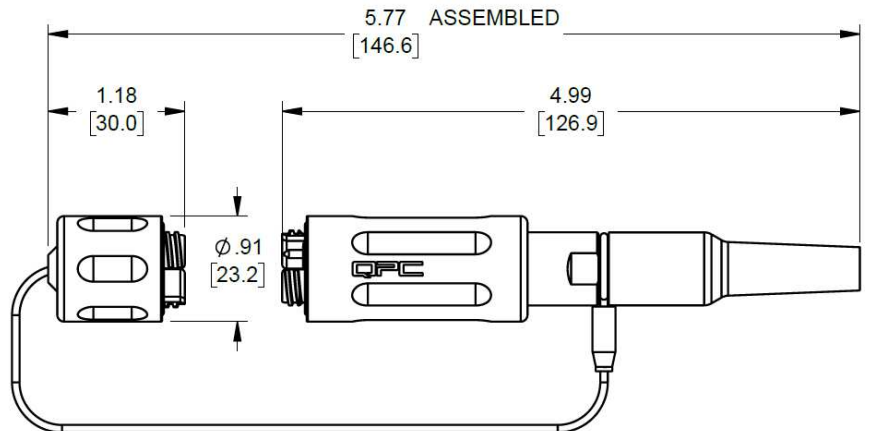
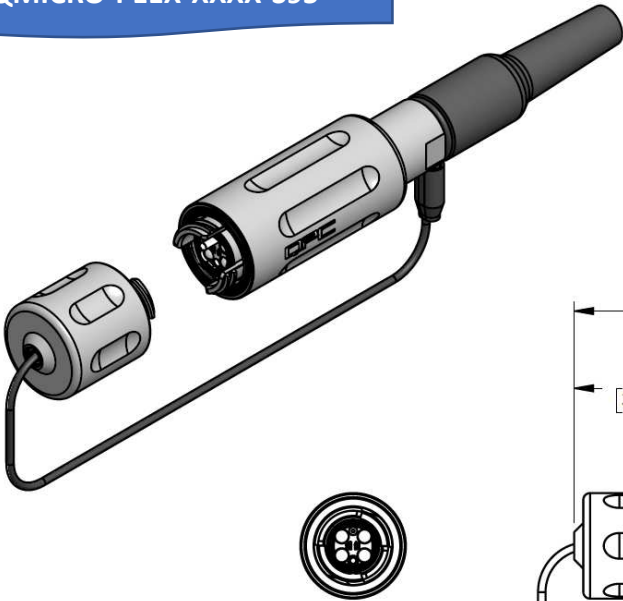
## QMicro Plug, Hermaphroditic, 9.5mm Heat Shrink Strain Relief, Composite Dust Cover:

QMICRO-PHHX-XXXX-S95



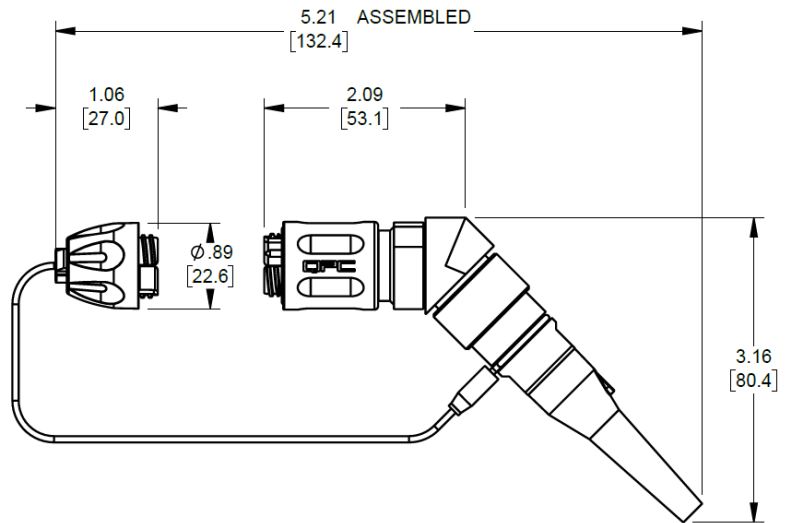
## QMicro Plug, Hermaphroditic, Metal Coupling Ring, 9.5mm Heat Shrink Strain Relief, Metal Dust

QMICRO-PEEX-XXXX-S95



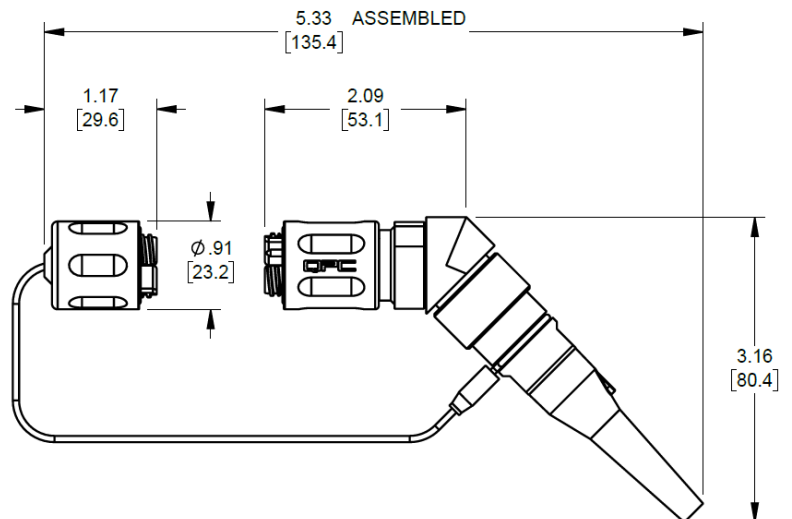
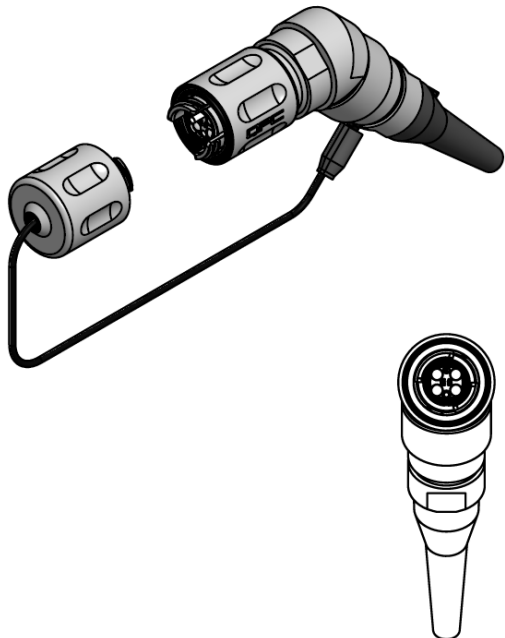
## QMicro 45° Sealed Plug, Hermaphroditic, Composite Dust Cover:

**QMICRO45S-PEHX-XXXX-SXX**



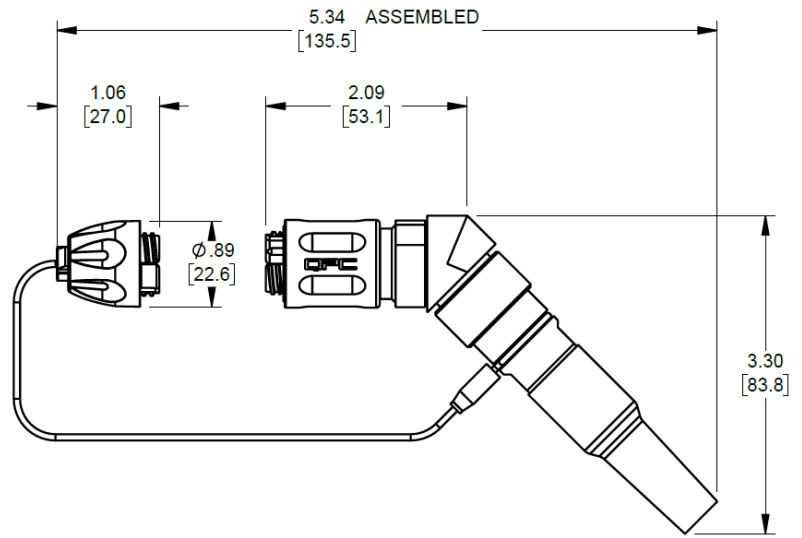
## QMicro 45° Sealed Plug, Hermaphroditic, Metal Dust Cover:

**QMICRO45S-PEEX-XXXX-SXX**



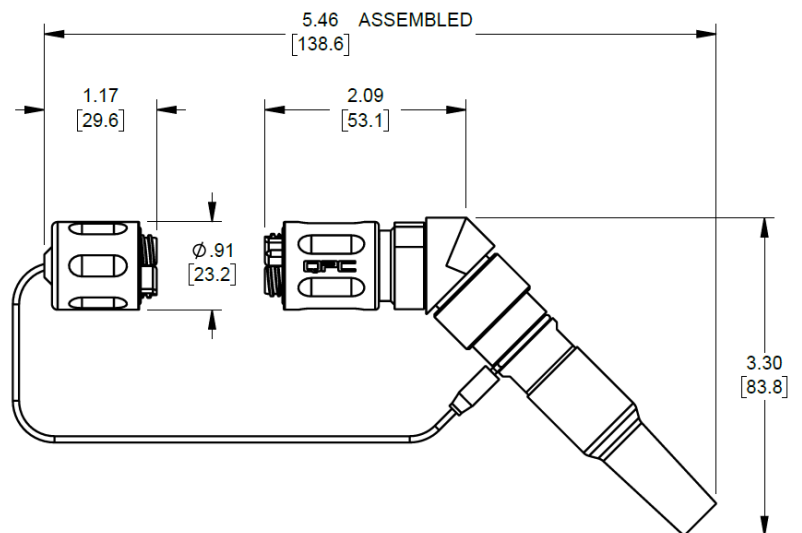
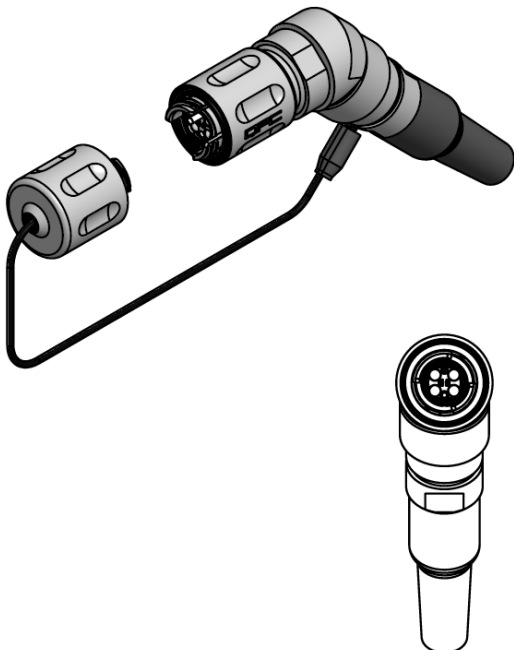
## QMicro 45° Sealed Plug, Hermaphroditic, 9.5mm Heat Shrink Strain Relief, Composite Dust

**QMICRO45S-PEHX-XXXX-S95**



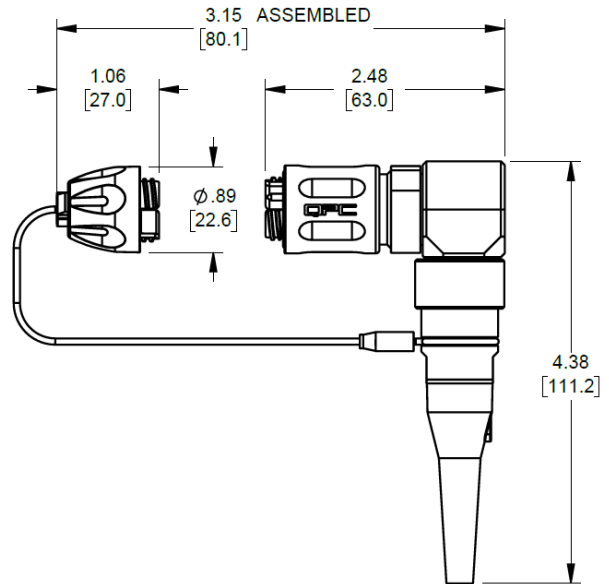
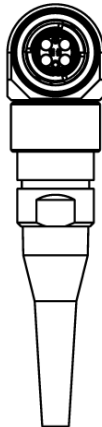
## QMicro 45° Sealed Plug, Hermaphroditic, 9.5mm Heat Shrink Strain Relief, Metal Dust

**QMICRO45S-PEEX-XXXX-S95**



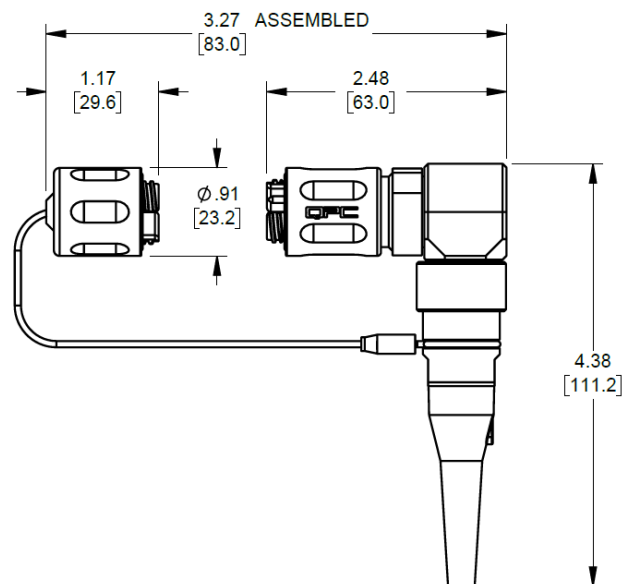
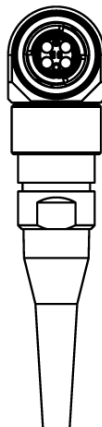
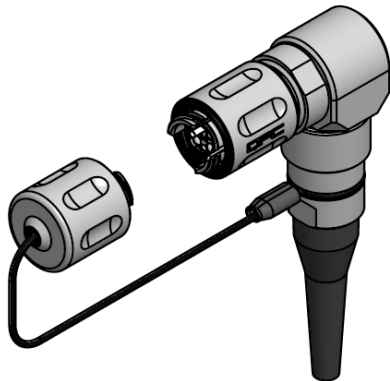
## QMicro 90° Sealed Plug, Hermaphroditic, Composite Dust Cover:

**QMICRO90S-PEHX-XXXX-SXX**



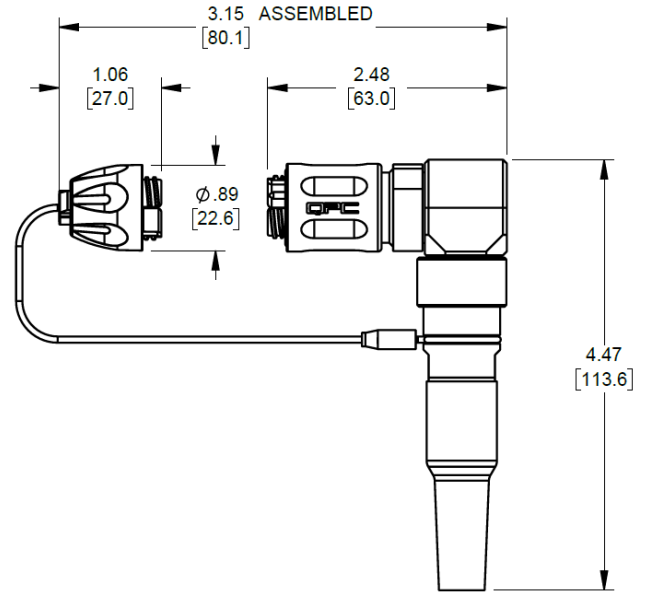
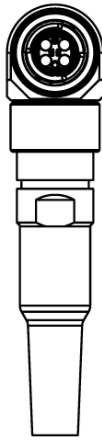
## QMicro 90° Sealed Plug, Hermaphroditic, Metal Dust Cover:

**QMICRO90S-PEEX-XXXX-SXX**



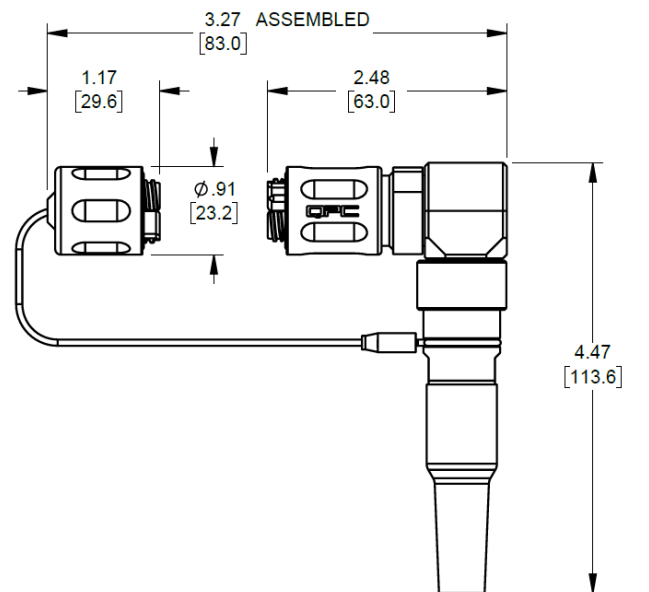
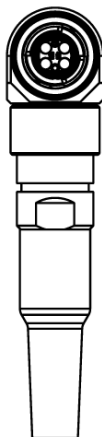
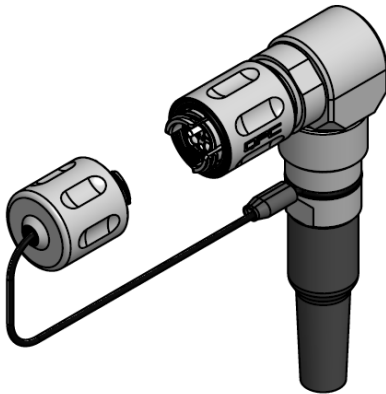
## QMicro 90° Sealed Plug, Hermaphroditic, 9.5mm Heat Shrink Strain Relief, Composite Dust

**QMICRO90S-PEHX-XXXX-S95**



## QMicro 90° Sealed Plug, Hermaphroditic, 9.5mm Heat Shrink Strain Relief, Metal Dust

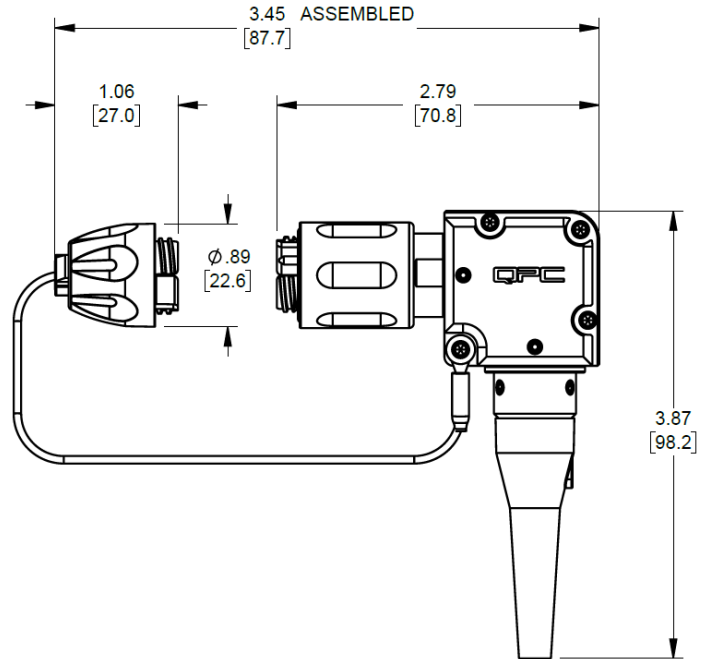
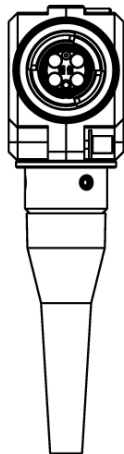
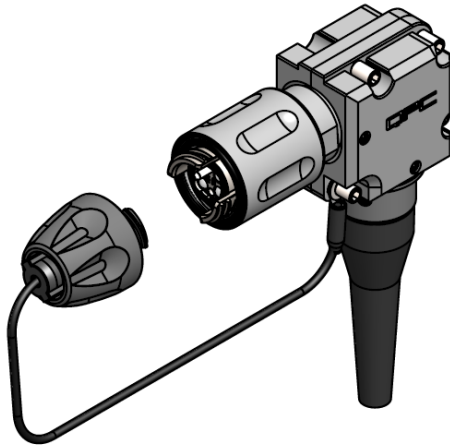
**QMICRO90S-PEEX-XXXX-S95**





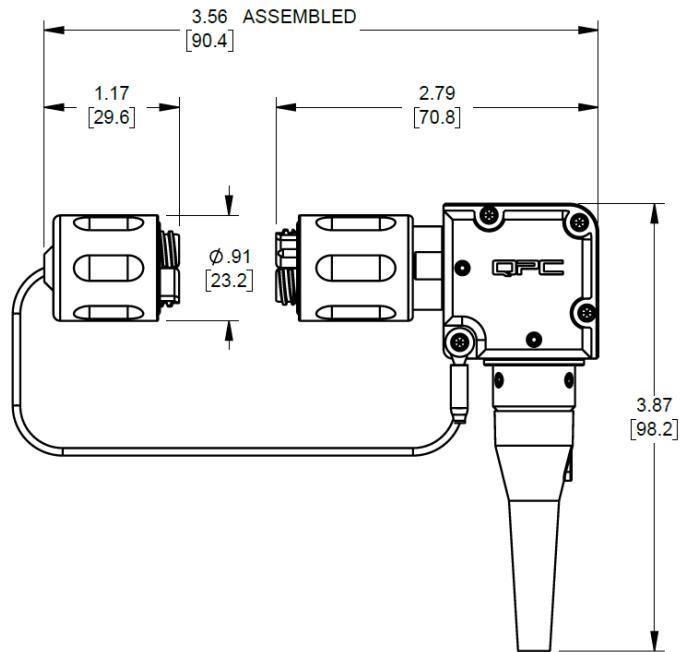
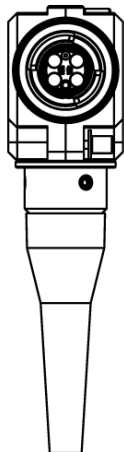
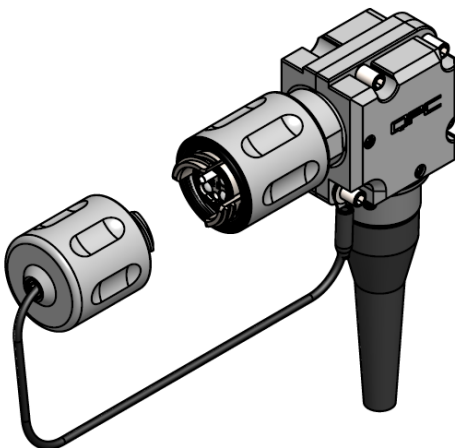
## QMicro 90° Plug, Hermaphroditic, Composite Dust Cover:

**QMICRO90-PEHX-XXXX-SXX**



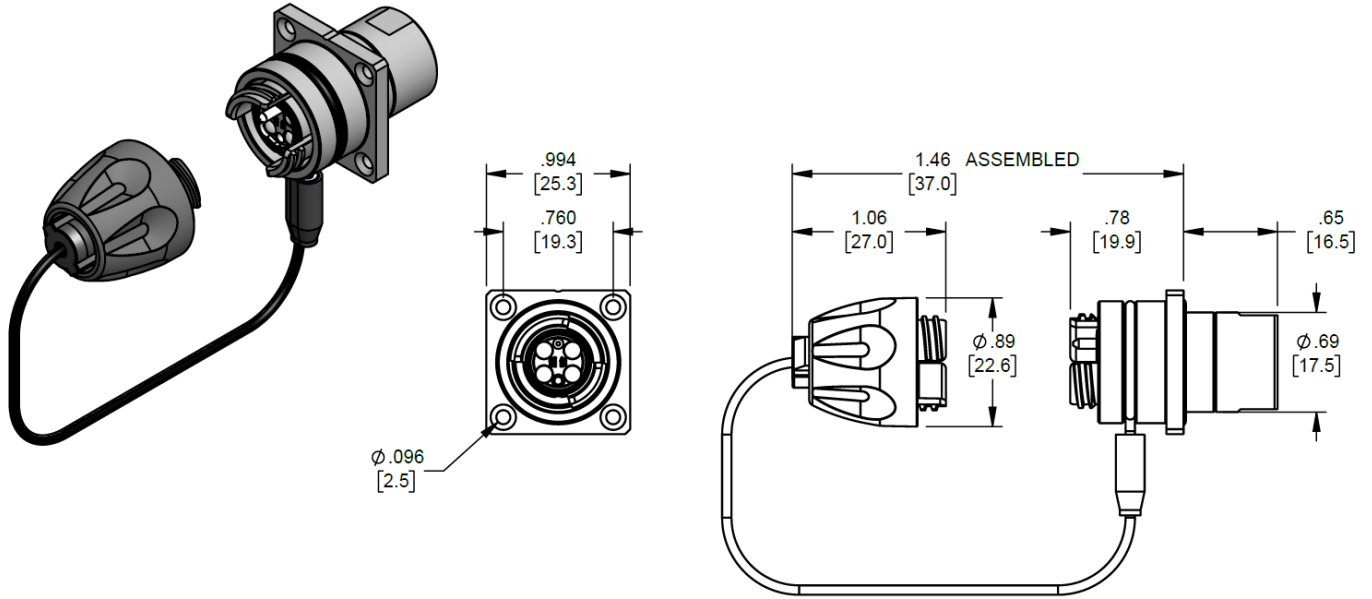
## QMicro 90° Plug, Hermaphroditic, Metal Dust Cover:

**QMICRO90-PEEX-XXXX-SXX**



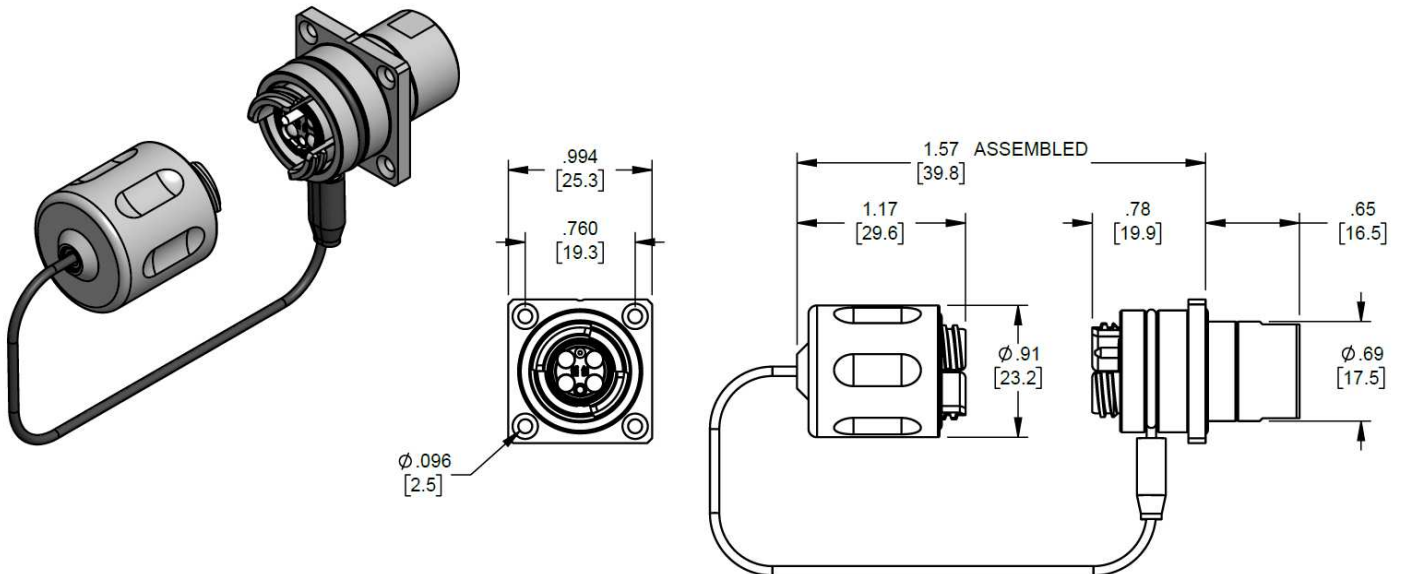
## QMicro Receptacle, Flange Mount, No Backshell, Composite Dust Cover:

QMICRO-RFHX-XXXX-S00  
 QMICRO-RFHX-XXXX-SE2



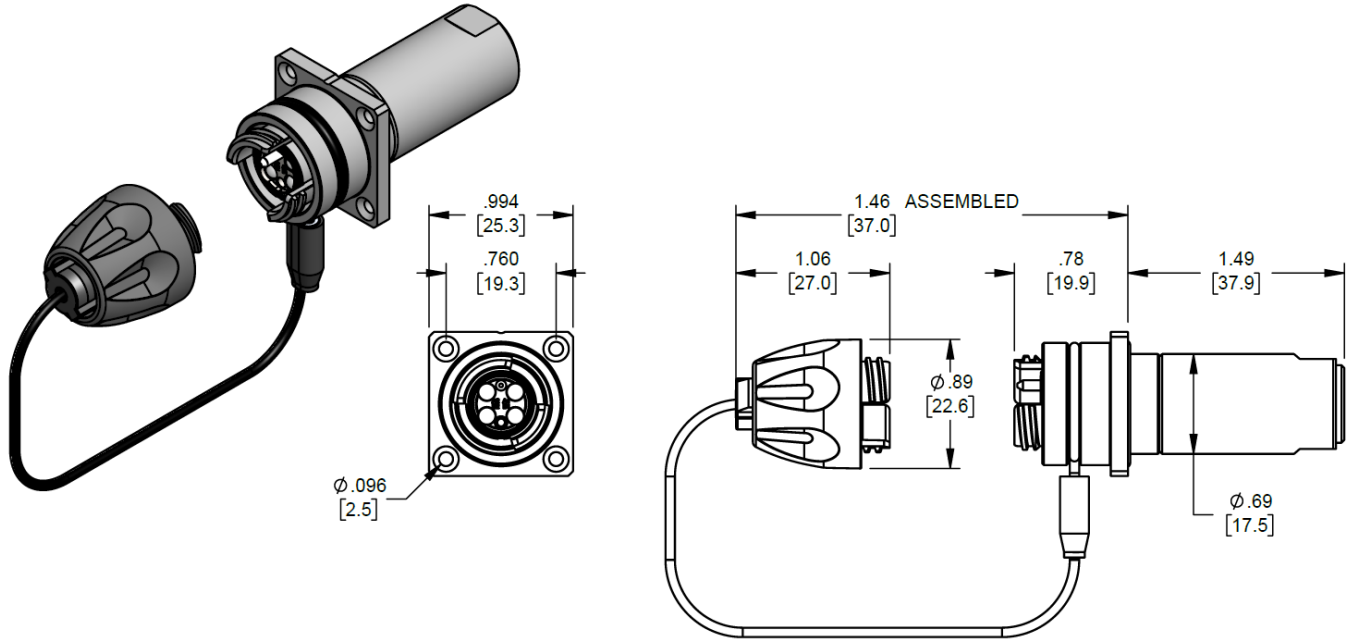
## QMicro Receptacle, Flange Mount, No Backshell, Metal Dust Cover:

QMICRO-RFEX-XXXX-S00  
 QMICRO-RFEX-XXXX-SE2



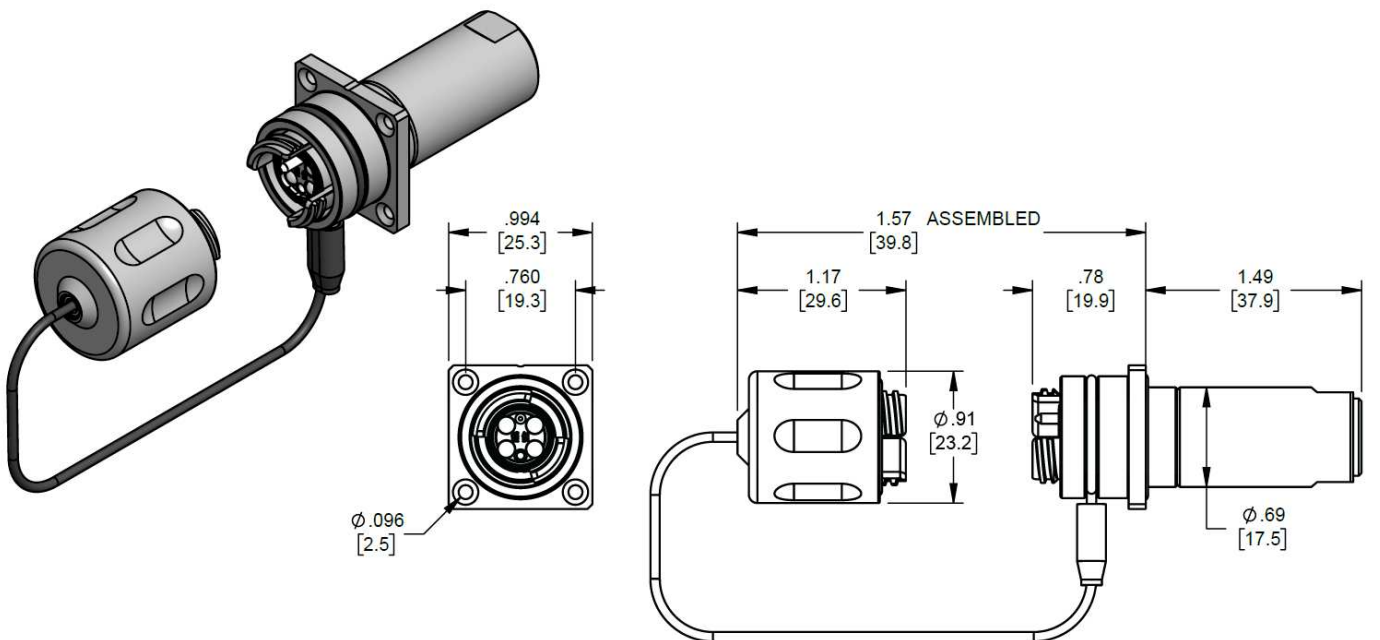
## QMicro Receptacle, Flange Mount, Low Profile Backshell, Composite Dust Cover:

**QMICRO-RFHX-XXXX-LXX**



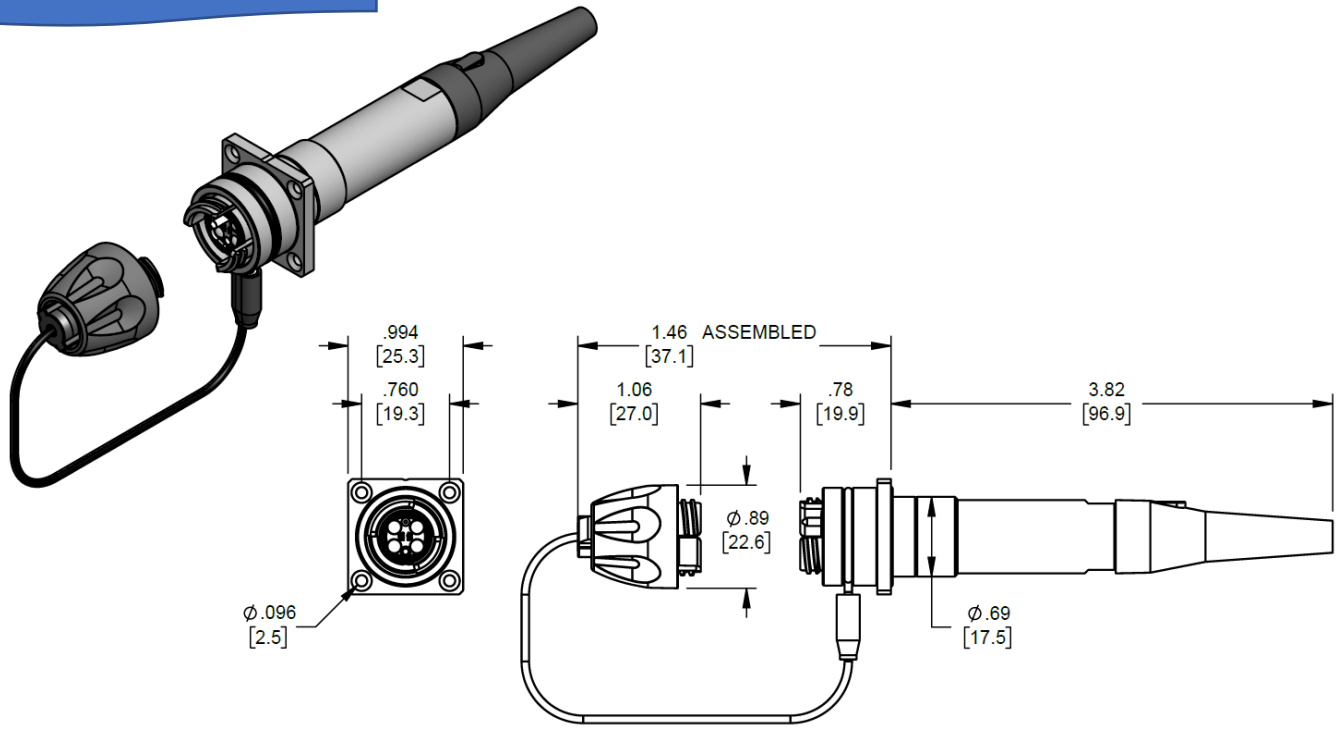
## QMicro Receptacle, Flange Mount, Low Profile Backshell, Metal Dust Cover:

**QMICRO-RFEX-XXXX-LXX**



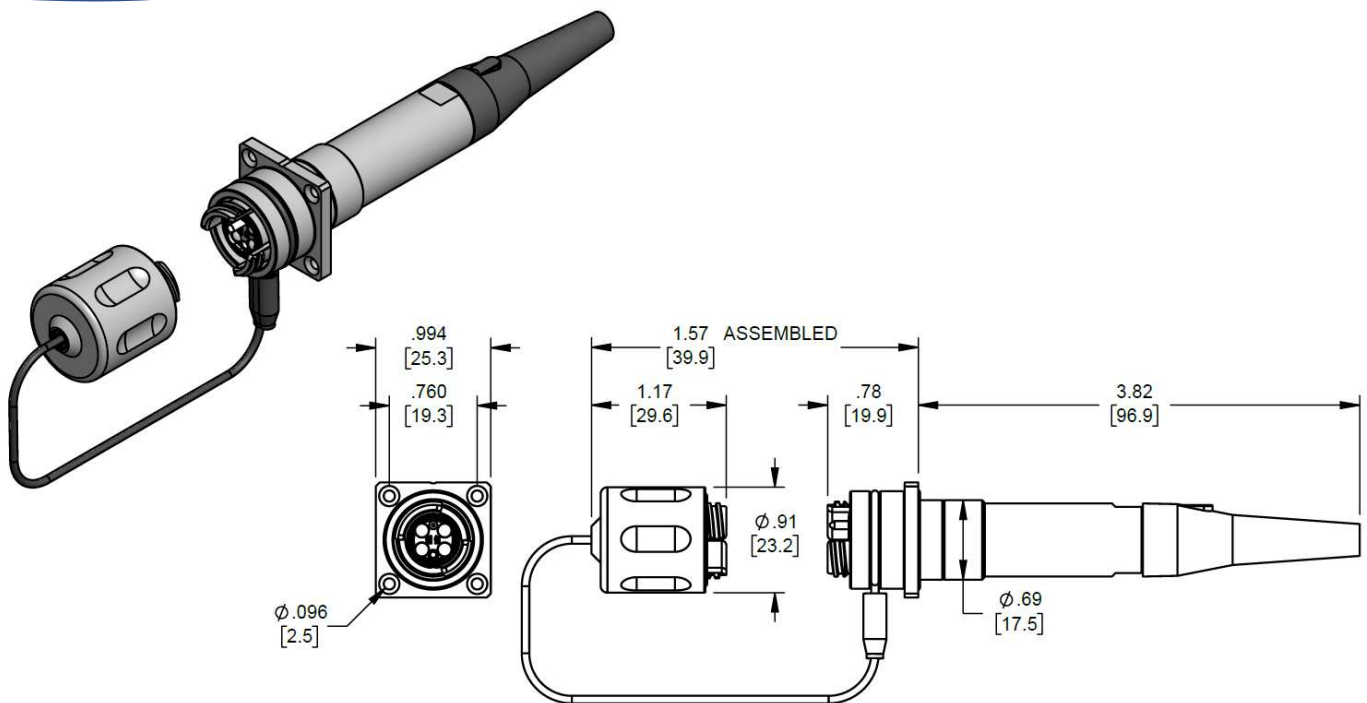
## QMicro Receptacle, Flange Mount, Backshell, Composite Dust Cover:

**QMICO-RFHX-XXXX-SXX**



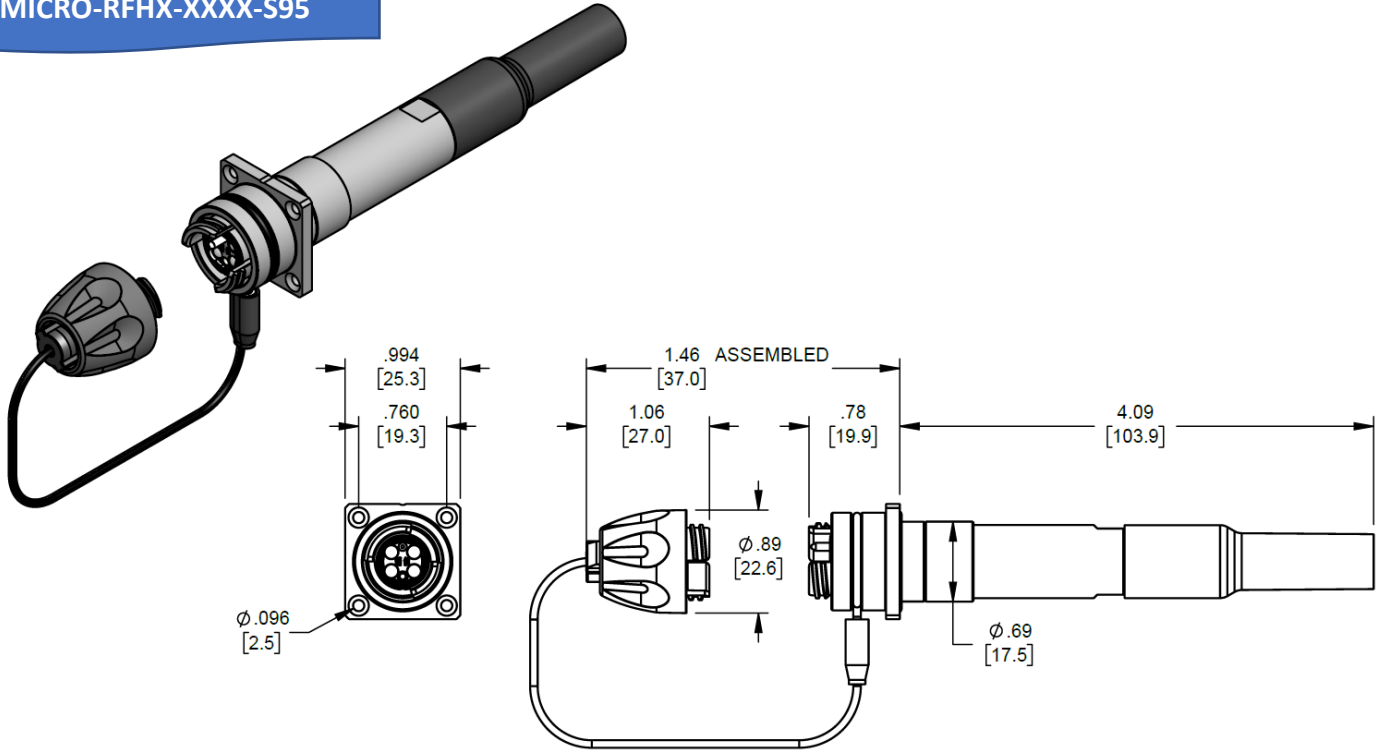
## QMicro Receptacle, Flange Mount, Backshell, Metal Dust Cover:

**QMICO-RFEX-XXXX-SXX**



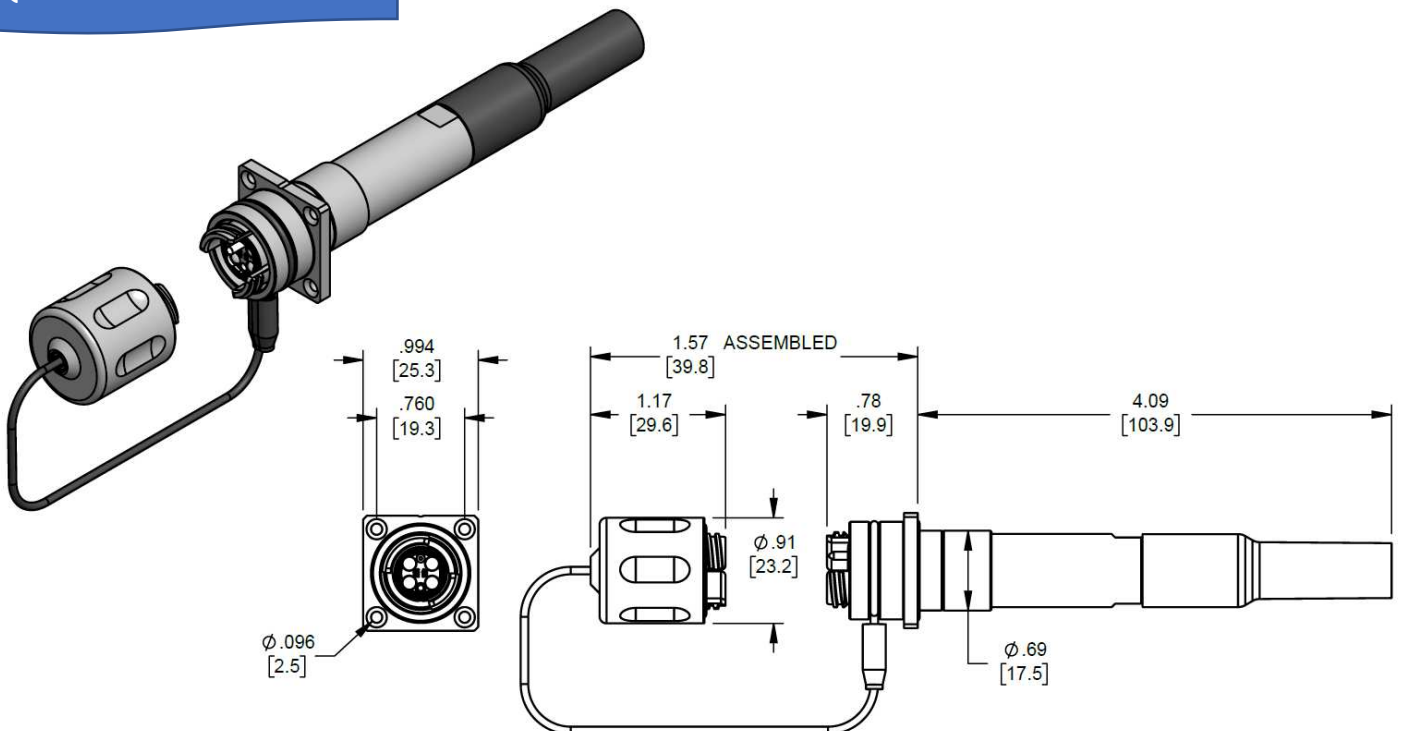
## QMicro Receptacle, Flange Mount, 9.5mm Heat Shrink Strain Relief, Composite Dust Cover:

**QMICRO-RFHX-XXXX-S95**



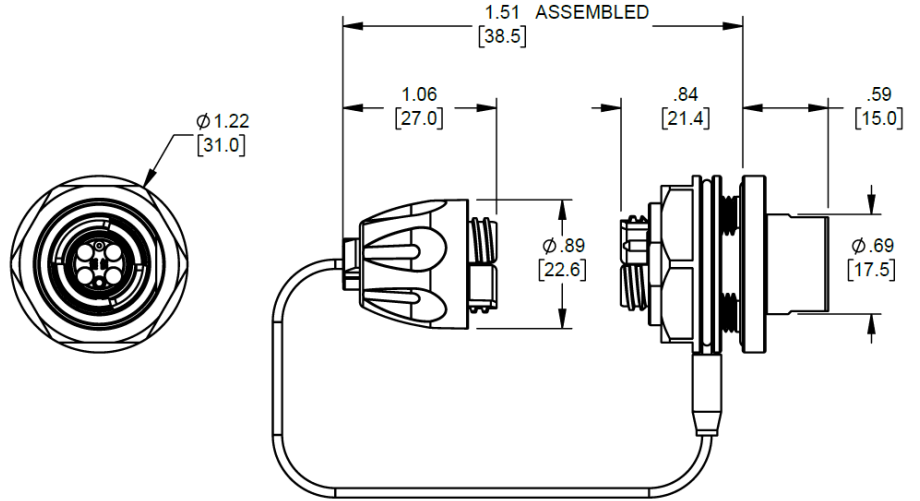
## QMicro Receptacle, Flange Mount, 9.5mm Heat Shrink Strain Relief, Metal Dust Cover:

**QMICRO-RFEX-XXXX-S95**



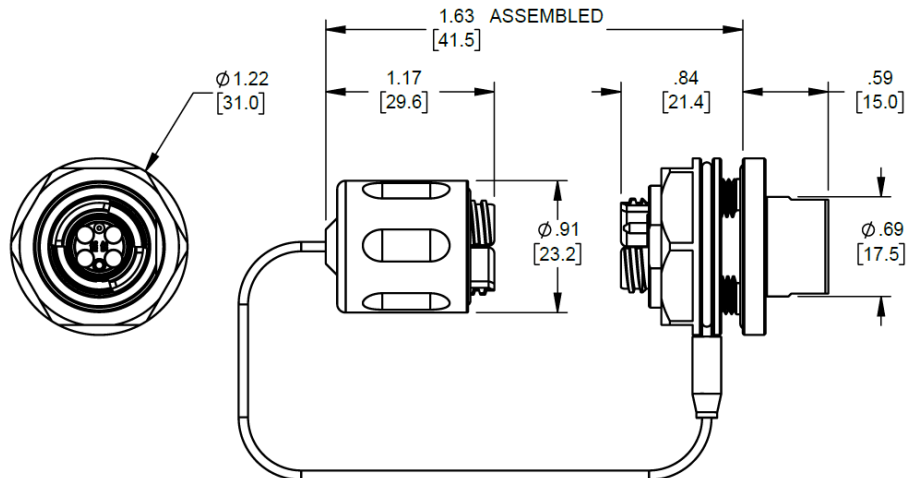
## QMicro Receptacle, Jam Nut, No Backshell, Composite Dust Cover:

QMICRO-RJHX-XXXX-S00  
 QMICRO-RJHX-XXXX-SE2



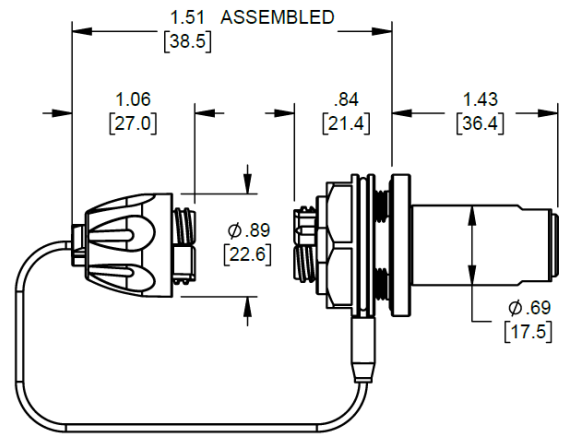
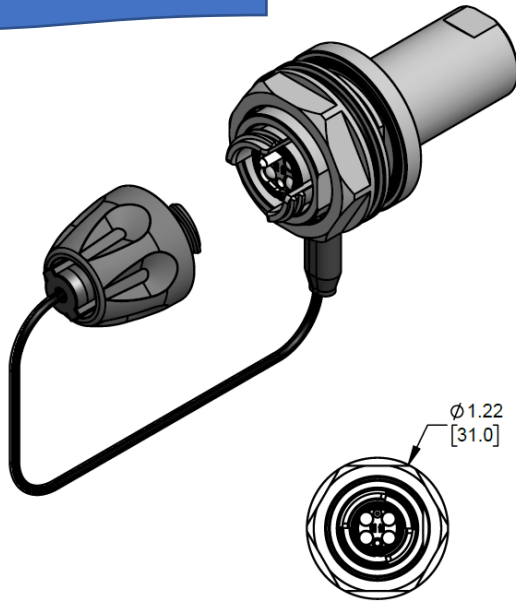
## QMicro Receptacle, Jam Nut, No Backshell, Metal Dust Cover:

QMICRO-RJEX-XXXX-S00  
 QMICRO-RJEX-XXXX-SE2



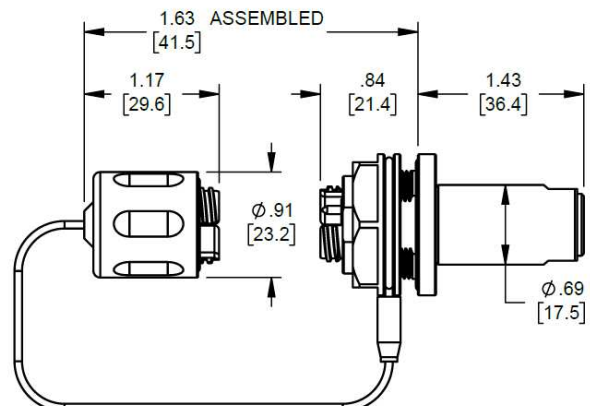
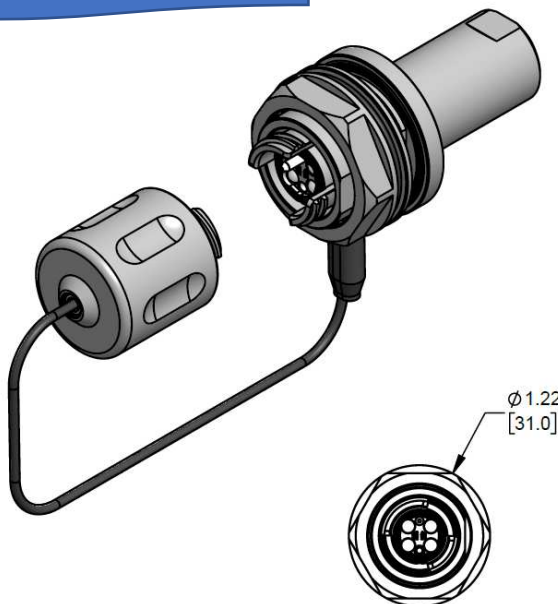
## QMicro Receptacle, Jam Nut, Low Profile Backshell, Composite Dust Cover:

**QMICRO-RJHX-XXXX-LXX**



## QMicro Receptacle, Jam Nut, Low Profile Backshell, Metal Dust Cover:

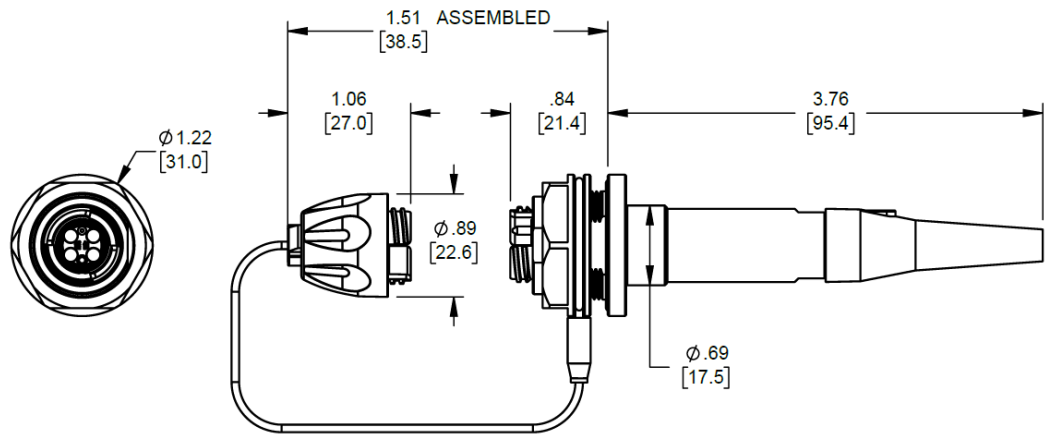
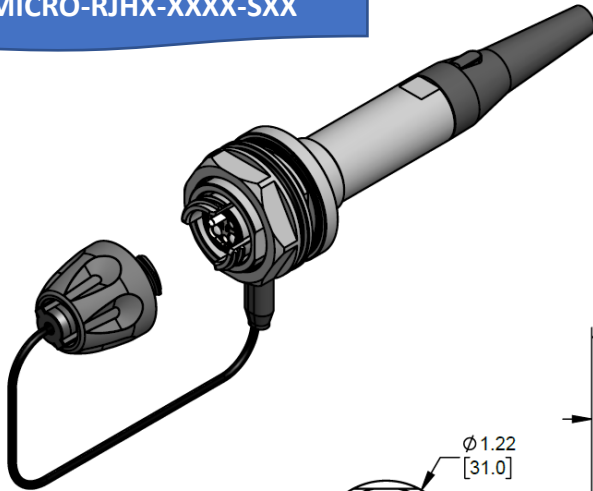
**QMICRO-RJEX-XXXX-LXX**





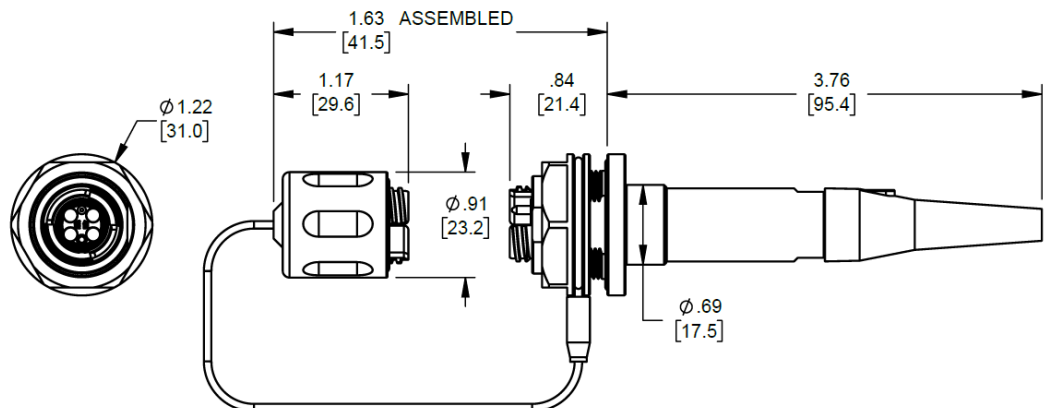
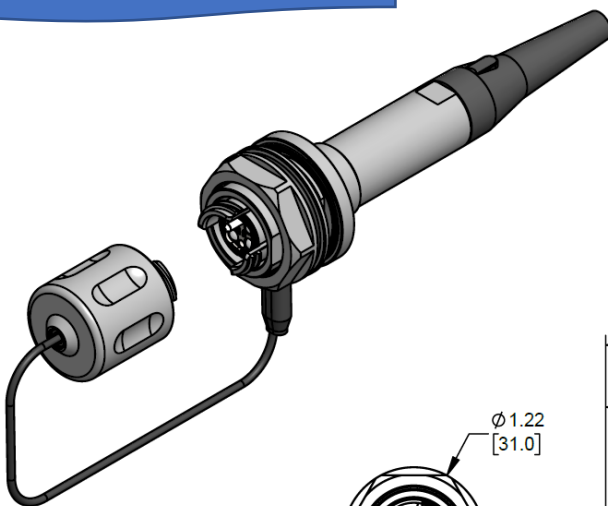
## QMicro Receptacle, Jam Nut, Backshell, Composite Dust Cover:

**QMICRO-RJHX-XXXX-SXX**



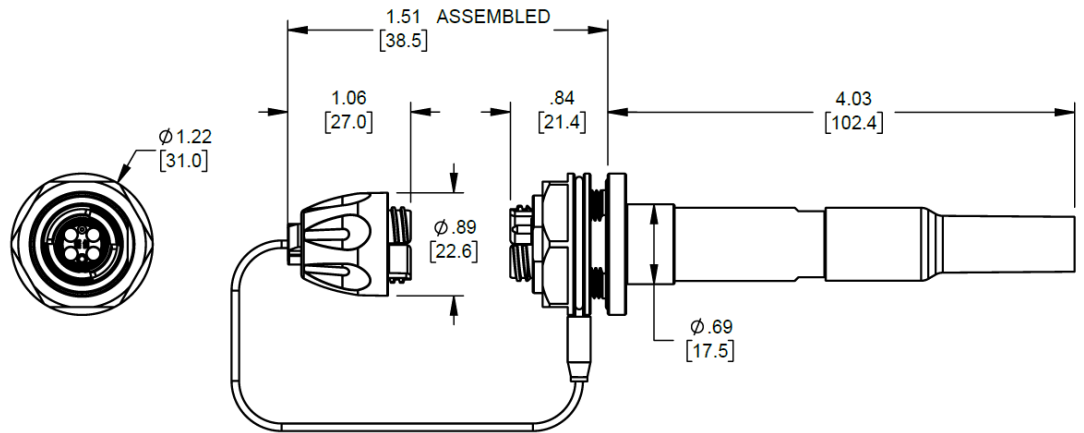
## QMicro Receptacle, Jam Nut, Backshell, Metal Dust Cover:

**QMICRO-RJEX-XXXX-SXX**



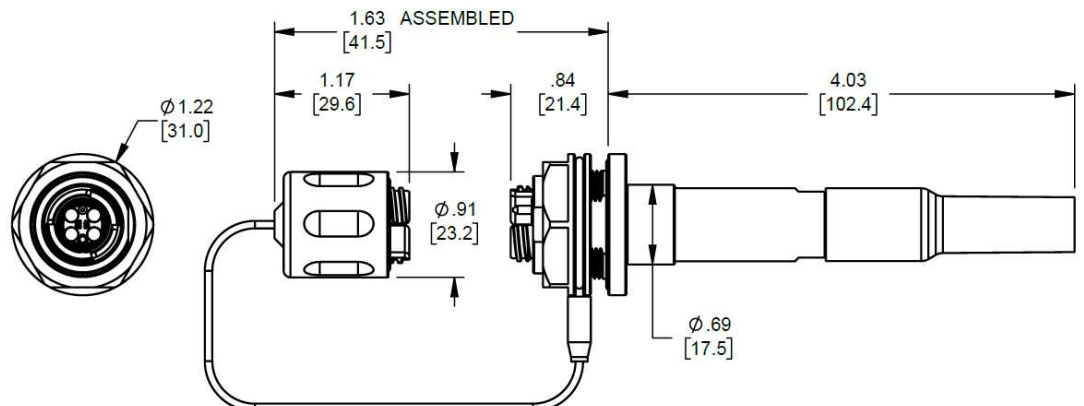
## QMicro Receptacle, Jam Nut, 9.5mm Heat Shrink Strain Relief, Composite Dust Cover:

**QMICRO-RJHX-XXXX-S95**



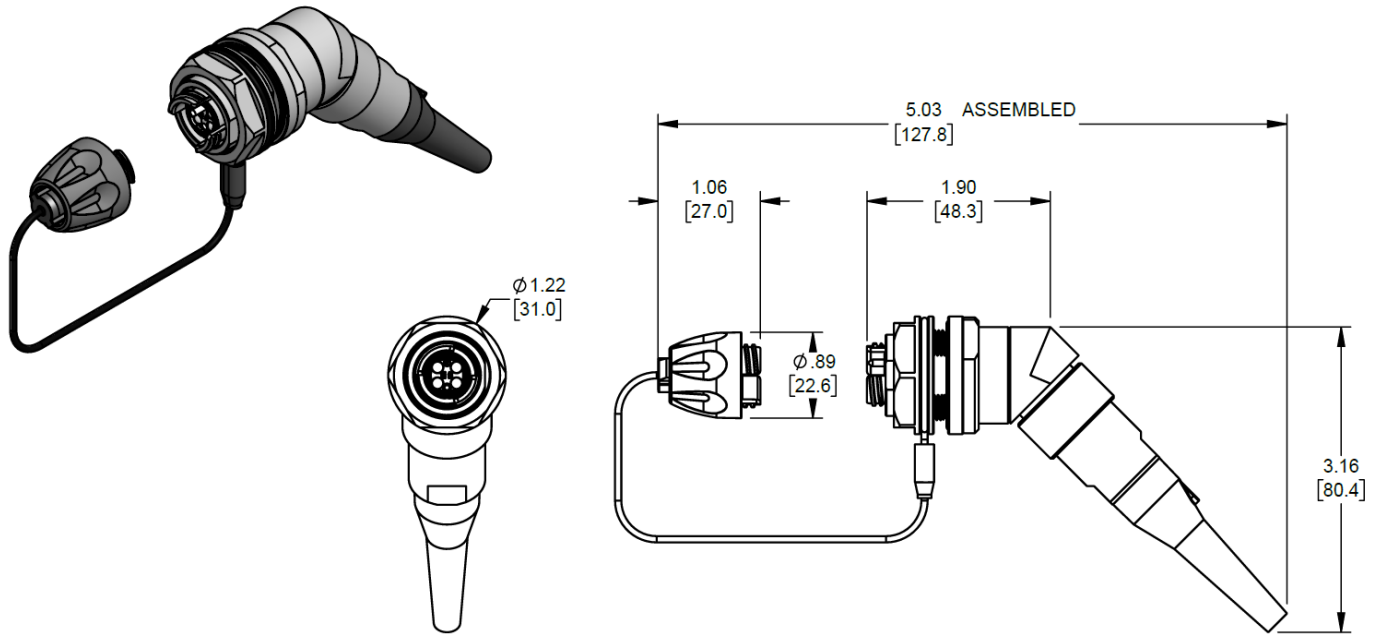
## QMicro Receptacle, Jam Nut, 9.5mm Heat Shrink Strain Relief, Metal Dust Cover:

**QMICRO-RJEX-XXXX-S95**



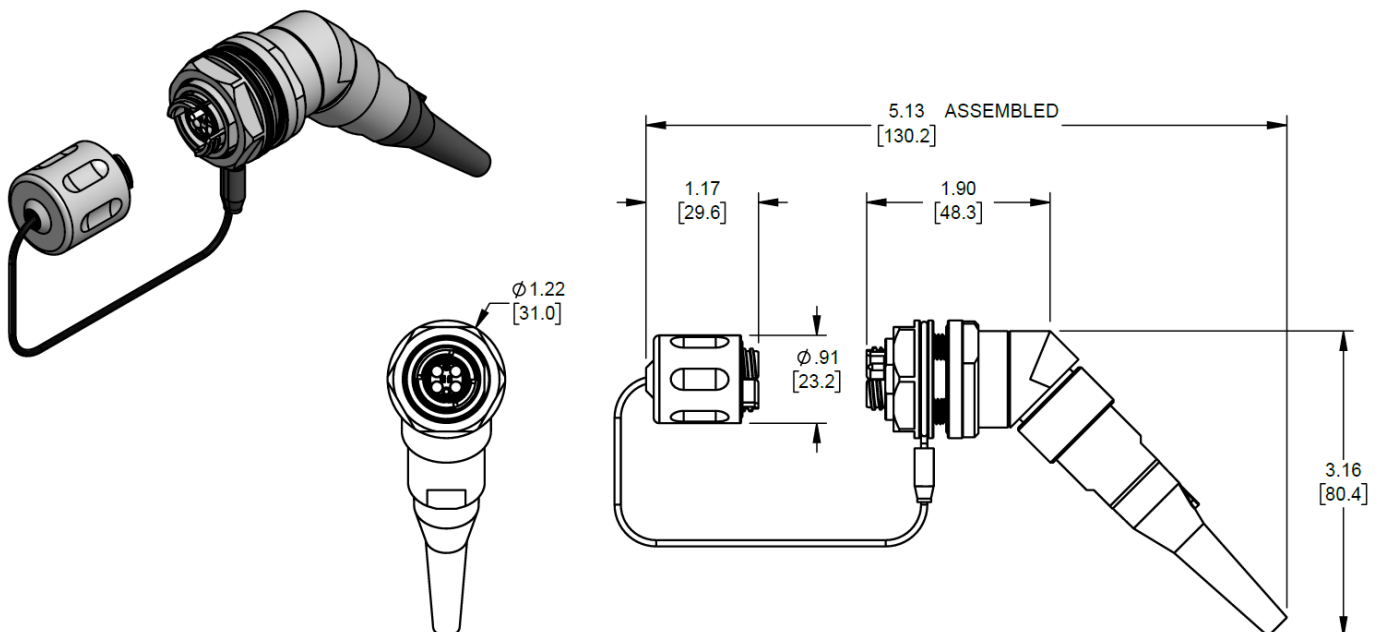
## QMicro 45° Sealed Receptacle, Jam Nut, Composite Dust Cover:

**QMICRO45S-RJHX-XXXX-SXX**



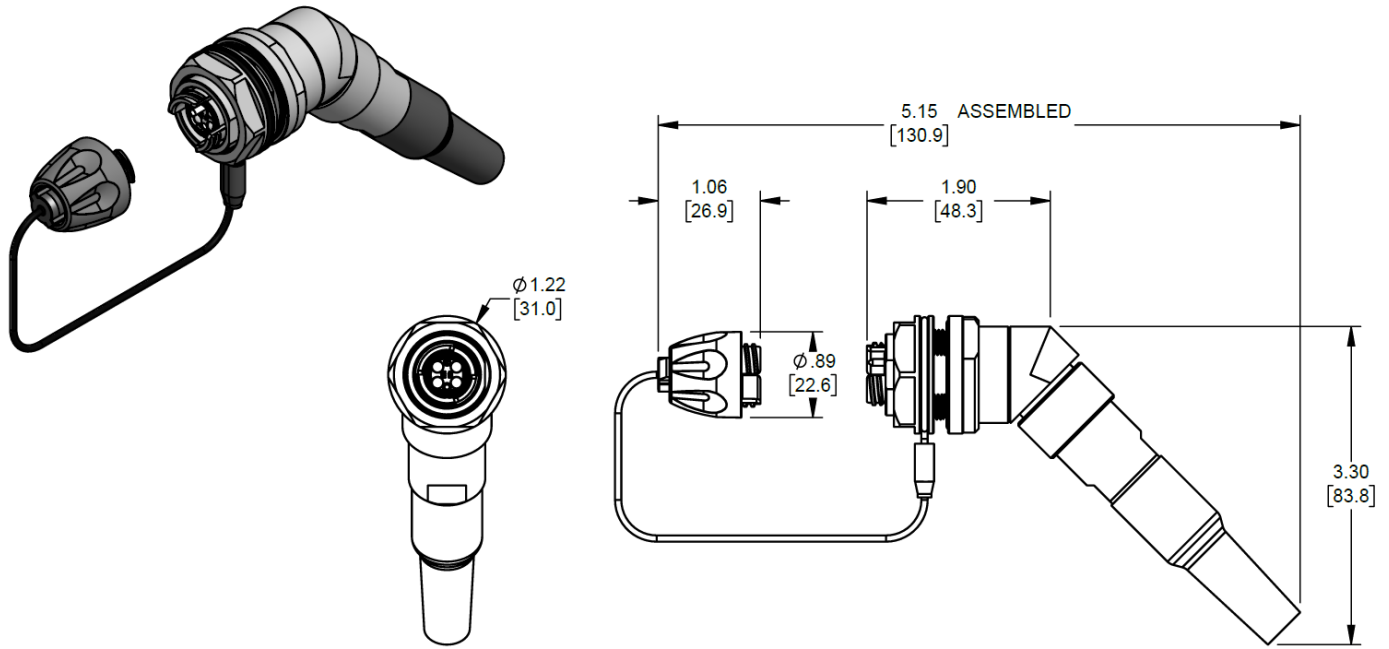
## QMicro 45° Sealed Receptacle, Jam Nut, Metal Dust Cover:

**QMICRO45S-RJEX-XXXX-SXX**



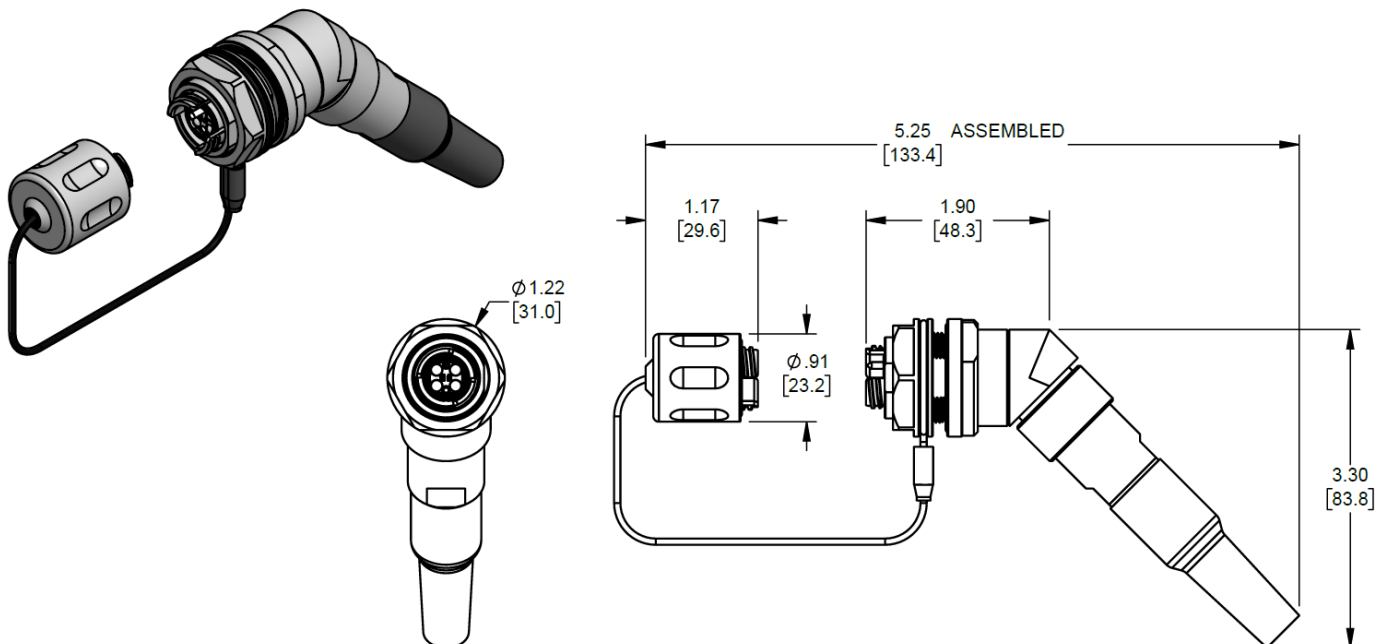
**QMicro 45° Sealed Receptacle, Jam Nut, 9.5mm Heat Shrink Strain Relief, Composite Dust**

**QMICRO45S-RJHX-XXXX-S95**



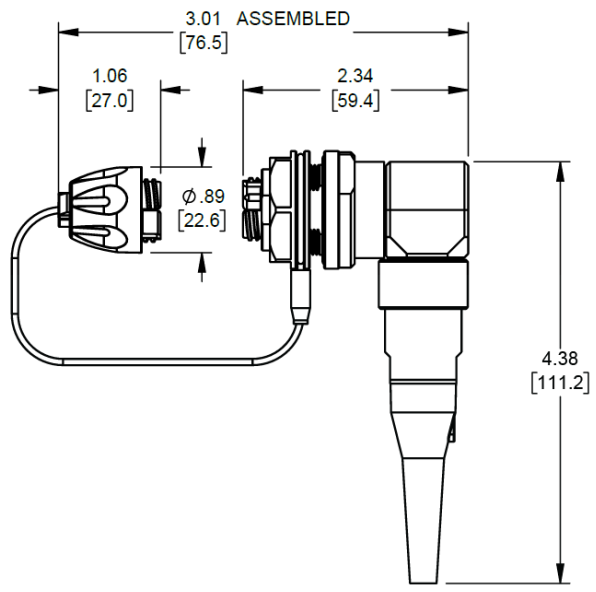
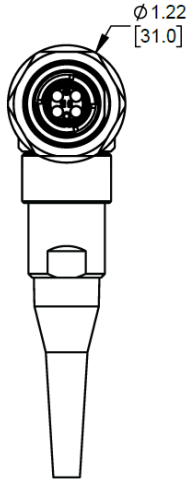
**QMicro 45° Sealed Receptacle, Jam Nut, 9.5mm Heat Shrink Strain Relief, Metal Dust Cover:**

**QMICRO45S-RJEX-XXXX-S95**



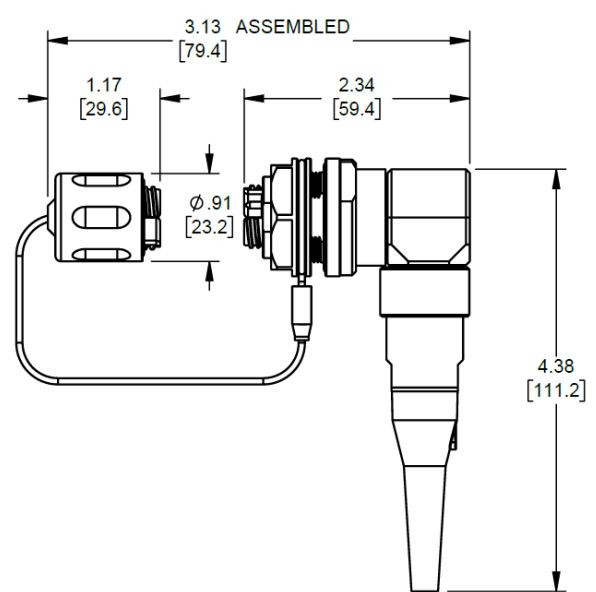
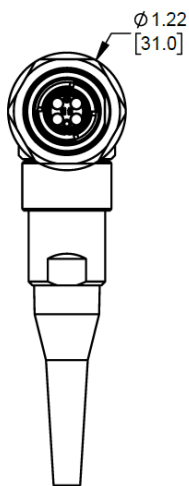
## QMicro 90° Sealed Receptacle, Jam Nut, Composite Dust Cover:

**QMICRO90S-RJHX-XXXX-SXX**



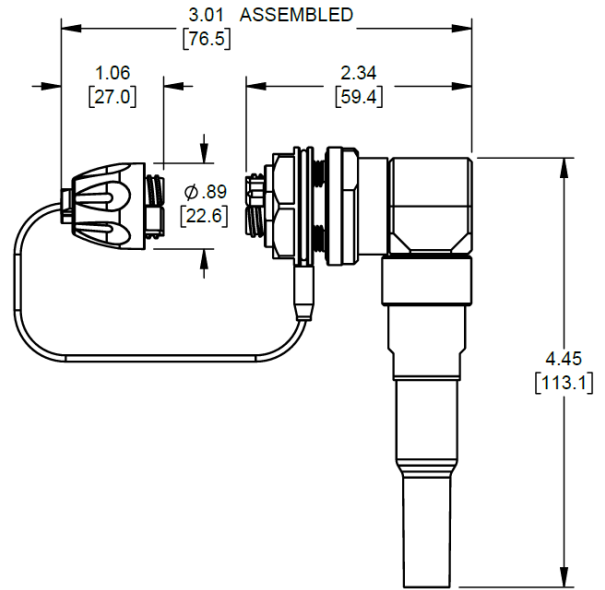
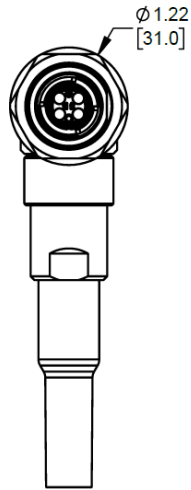
## QMicro 90° Sealed Receptacle, Jam Nut, Metal Dust Cover:

**QMICRO90S-RJEX-XXXX-SXX**



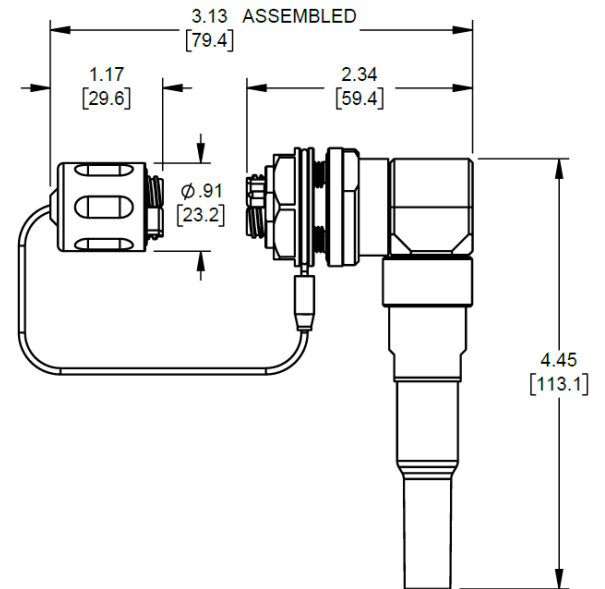
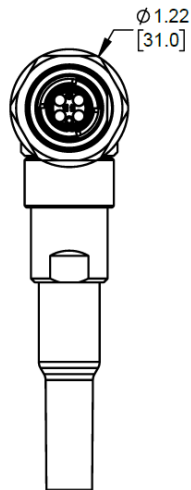
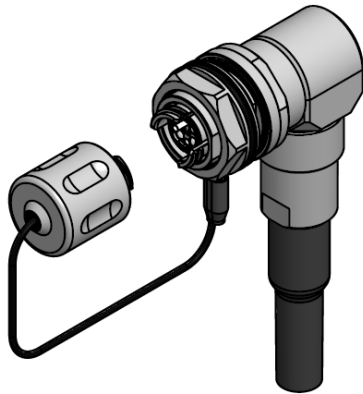
## QMicro 90° Sealed Receptacle, Jam Nut, 9.5mm Heat Shrink Strain Relief, Composite Dust

**QMICRO90S-RJHX-XXXX-S95**



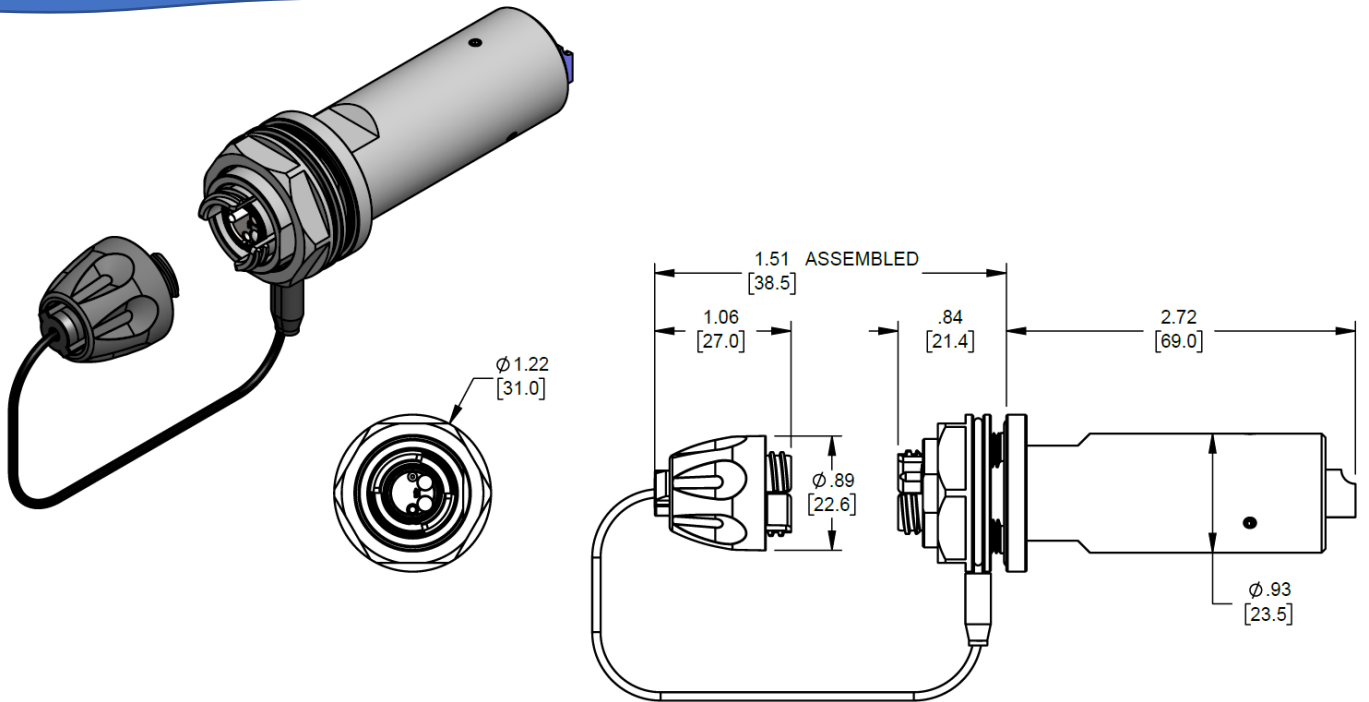
## QMicro 90° Sealed Receptacle, Jam Nut, 9.5mm Heat Shrink Strain Relief, Metal Dust Cover:

**QMICRO90S-RJEX-XXXX-S95**



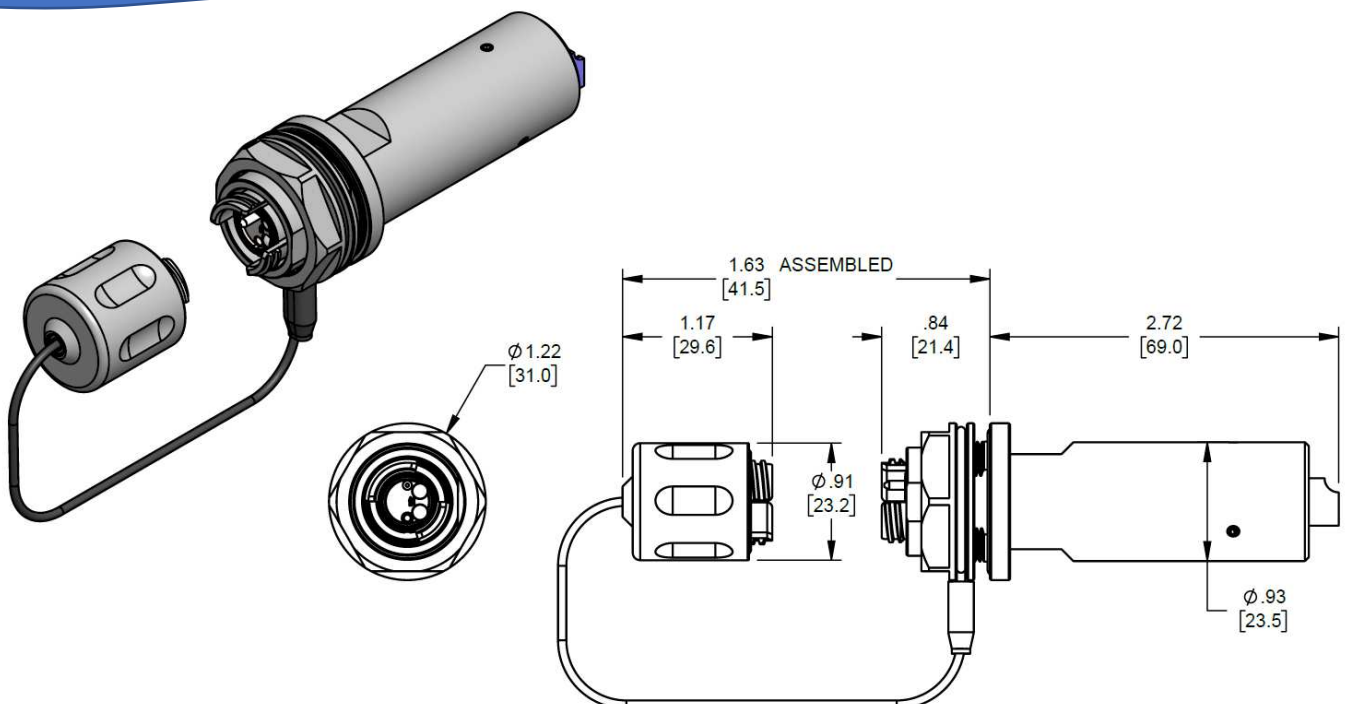
## QMicro LC Adapter, Jam Nut, 2CH, Composite Dust Cover:

**QMICROLC-RJHX-02XX-XX**



## QMicro LC Adapter, Jam Nut, 2CH, Metal Dust Cover:

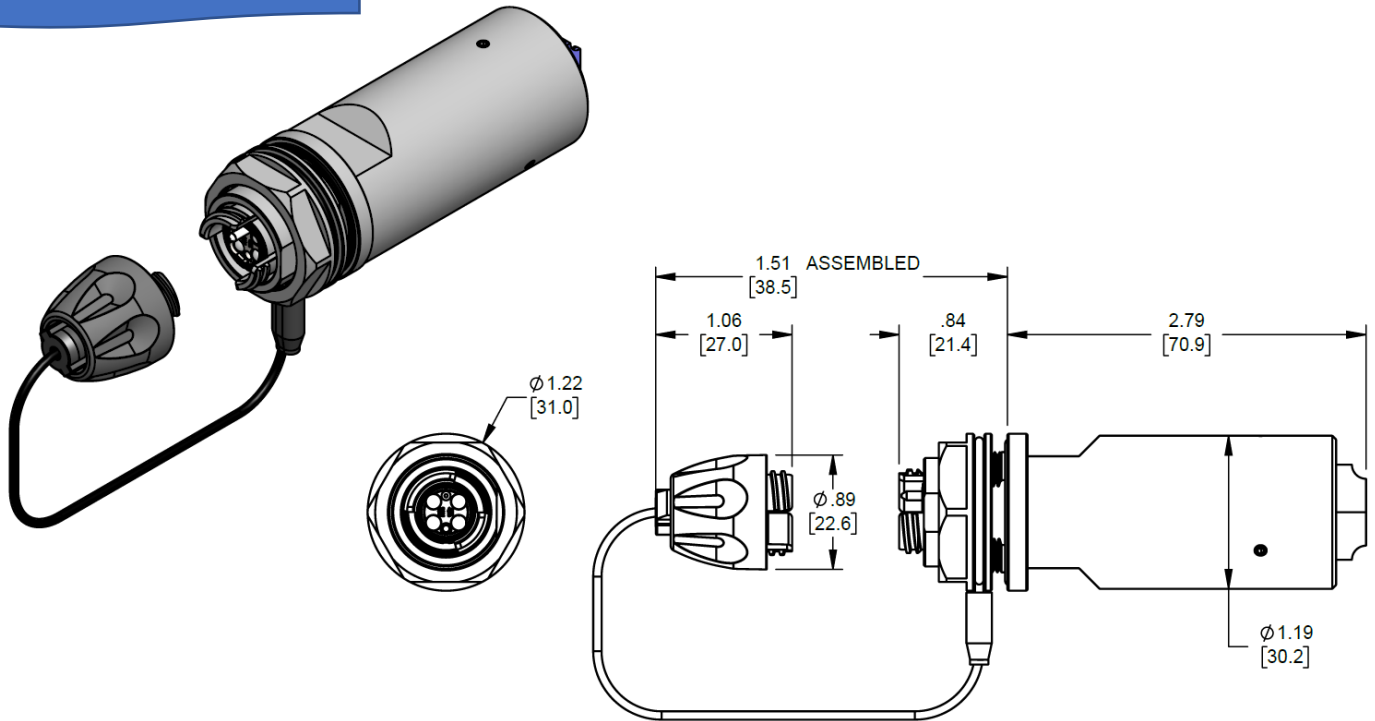
**QMICROLC-RJEX-02XX-XX**





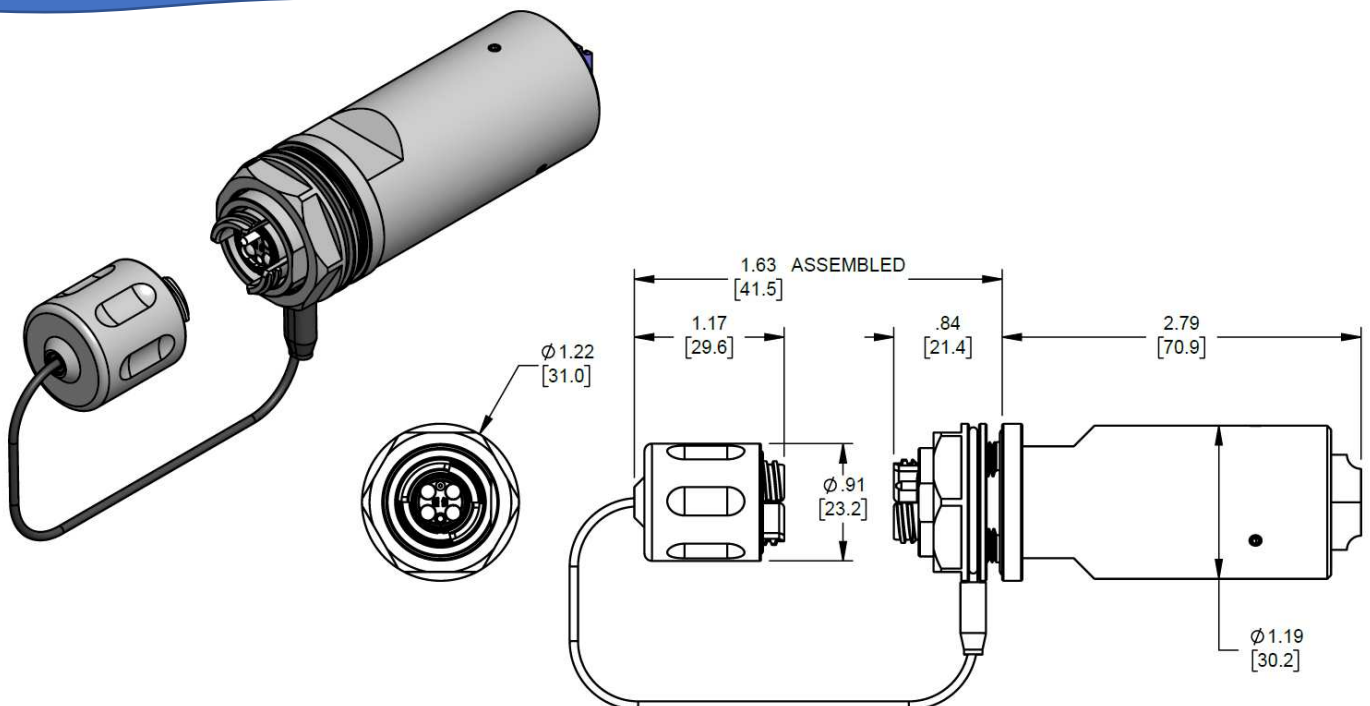
## QMicro LC Adapter, Jam Nut, 4CH, Composite Dust Cover:

**QMICROLC-RJHX-04XX-XX**



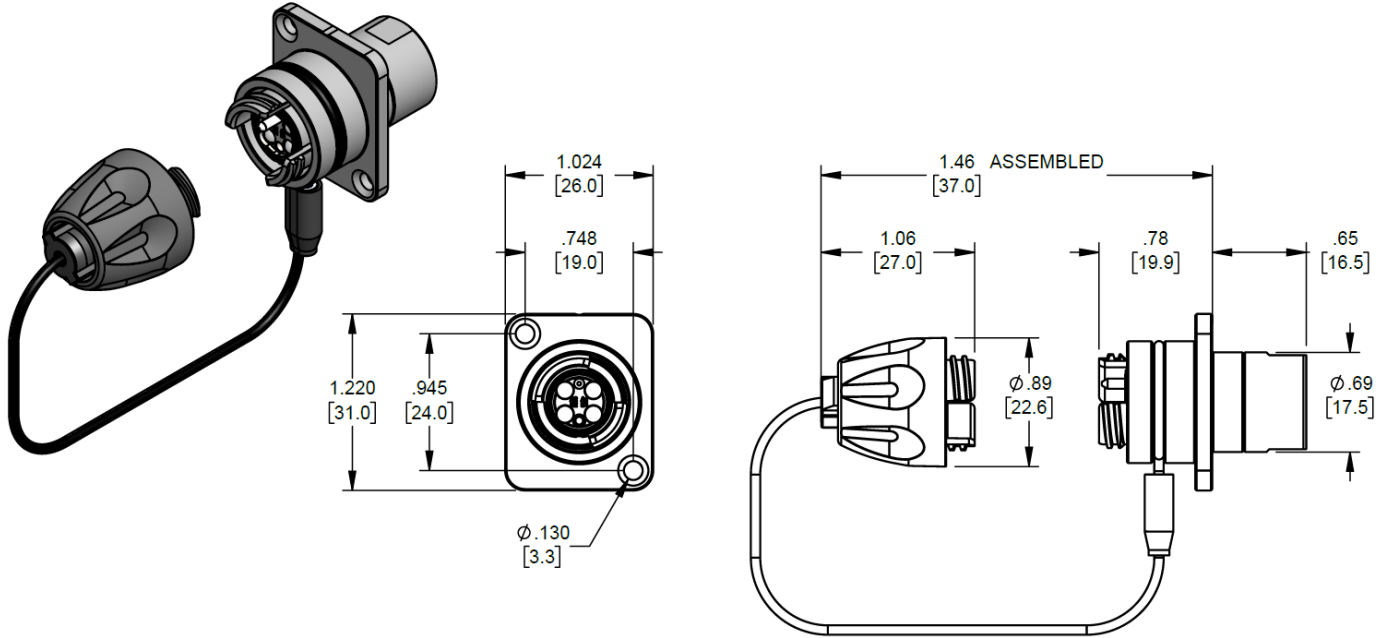
## QMicro LC Adapter, Jam Nut, 4CH, Metal Dust Cover:

**QMICRO-RJEX-04XX-XX**



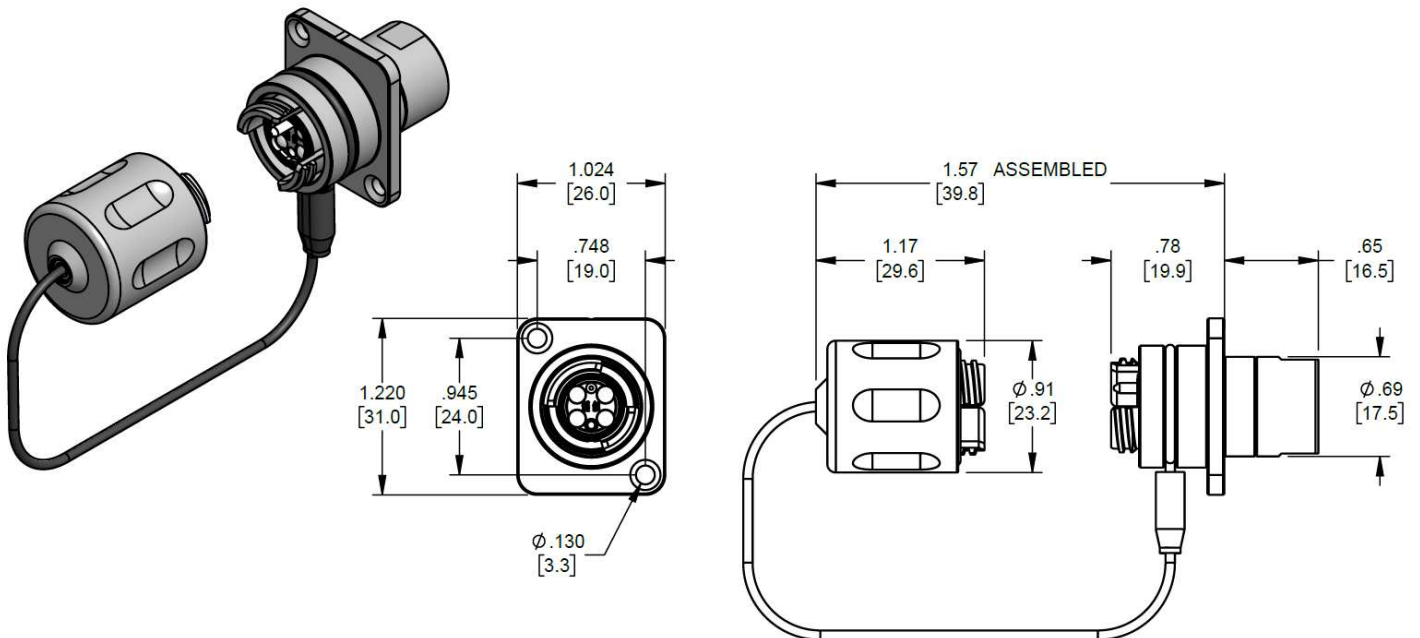
## QMicro Receptacle, Flange Mount, Rx, No Backshell, Composite Dust Cover:

QMICRO-RXHX-XXXX-S00  
 QMICRO-RXHX-XXXX-SE2



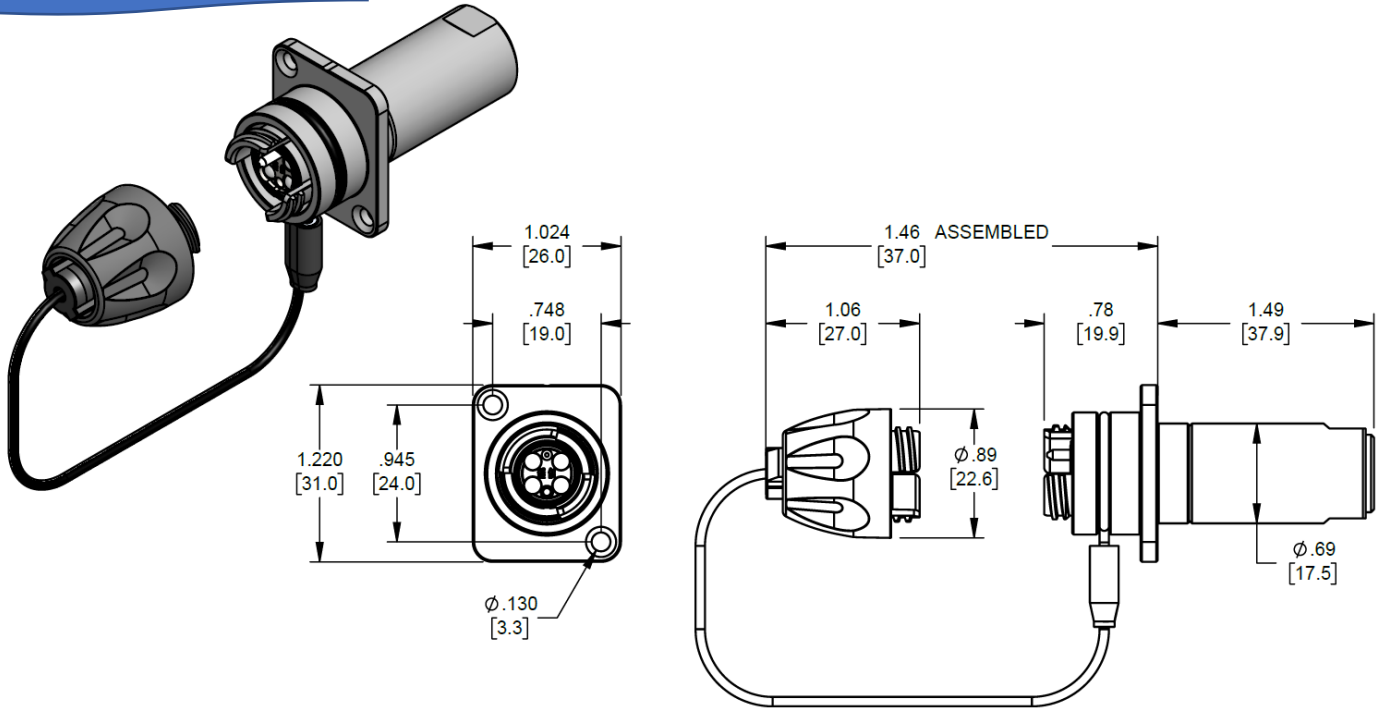
## QMicro Receptacle, Flange Mount, Rx, No Backshell, Metal Dust Cover:

QMICRO-RXEX-XXXX-S00  
 QMICRO-RXEX-XXXX-SE2



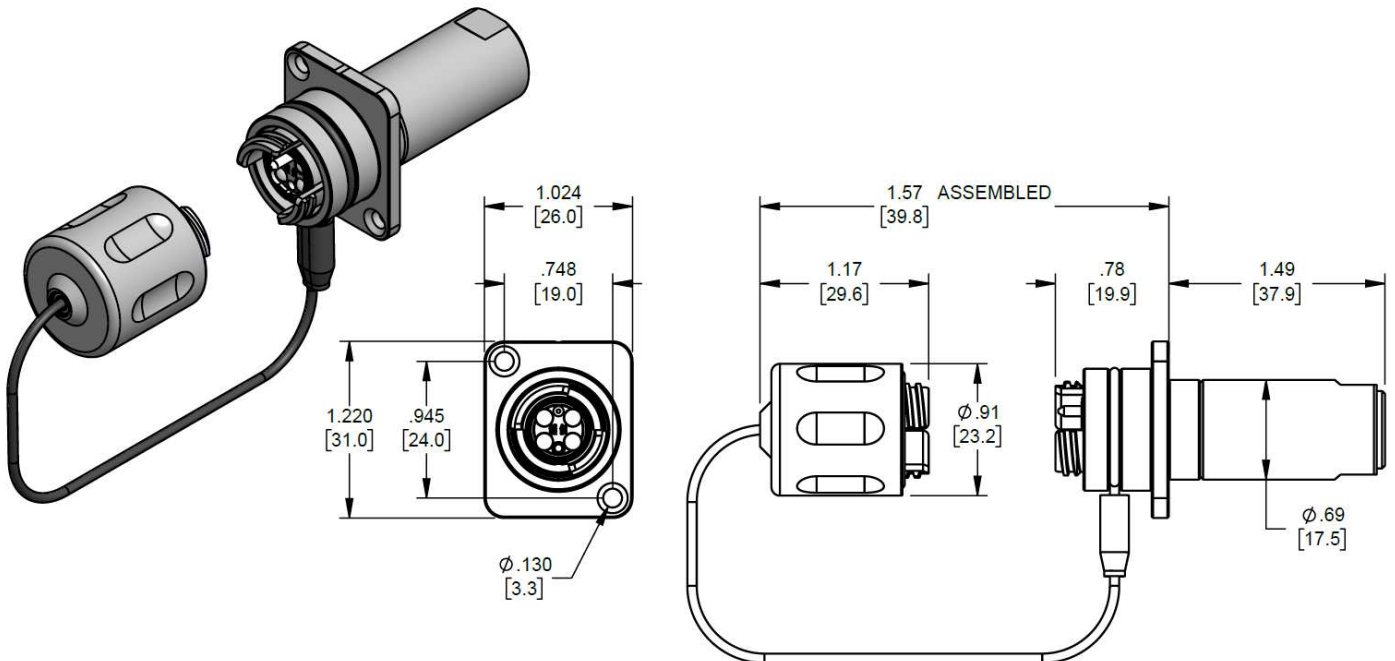
## QMicro Receptacle, Flange Mount, Rx, Low Profile Backshell, Composite Dust Cover:

QMICRO-RXHX-XXXX-LXX



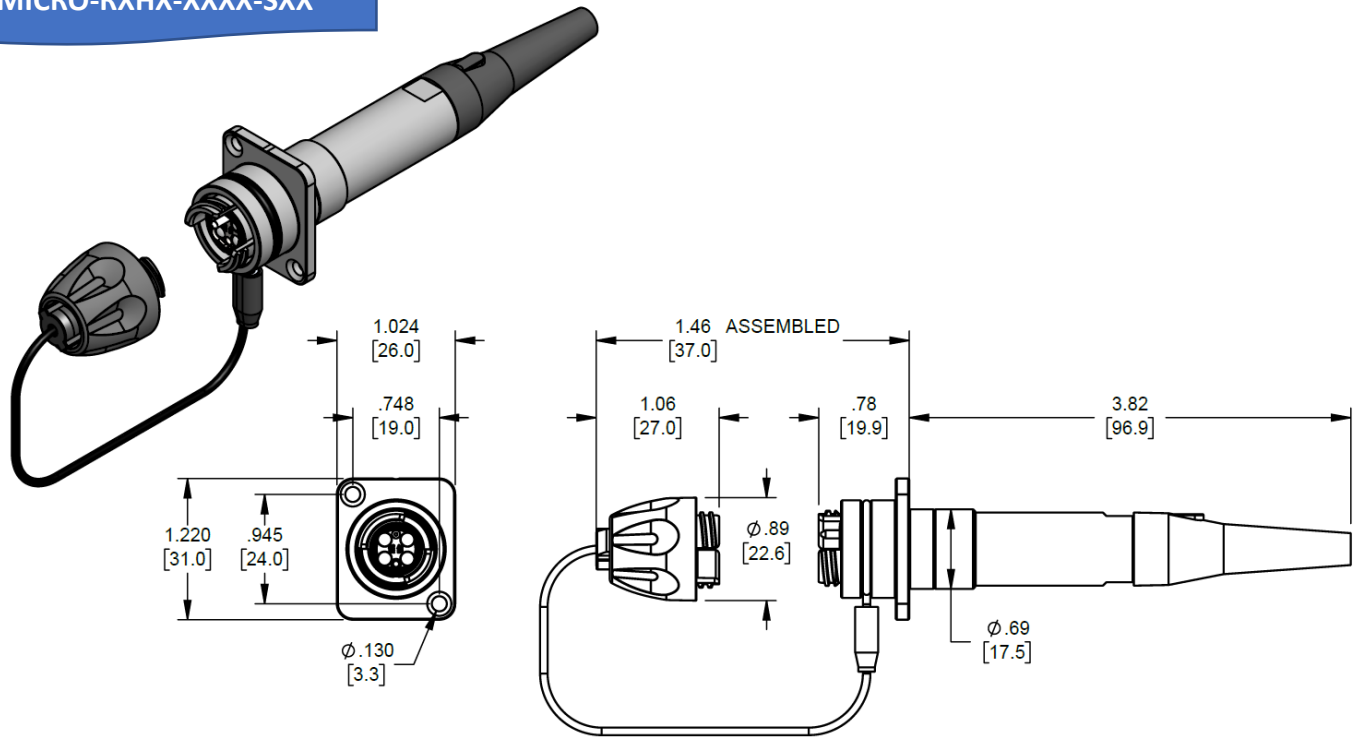
## QMicro Receptacle, Flange Mount, Rx, Low Profile Backshell, Metal Dust Cover:

QMICRO-RXEX-XXXX-LXX



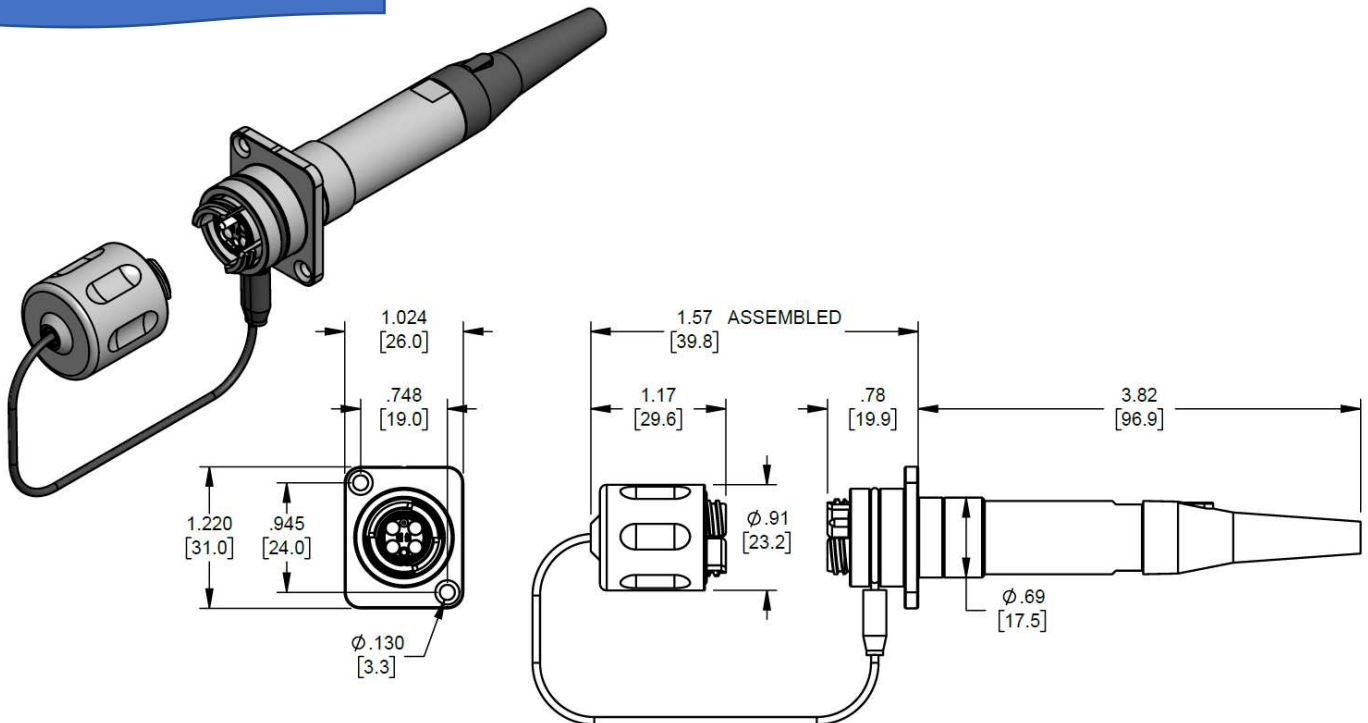
## QMicro Receptacle, Flange Mount, Rx, Backshell, Composite Dust Cover:

QMICRO-RXHX-XXXX-SXX



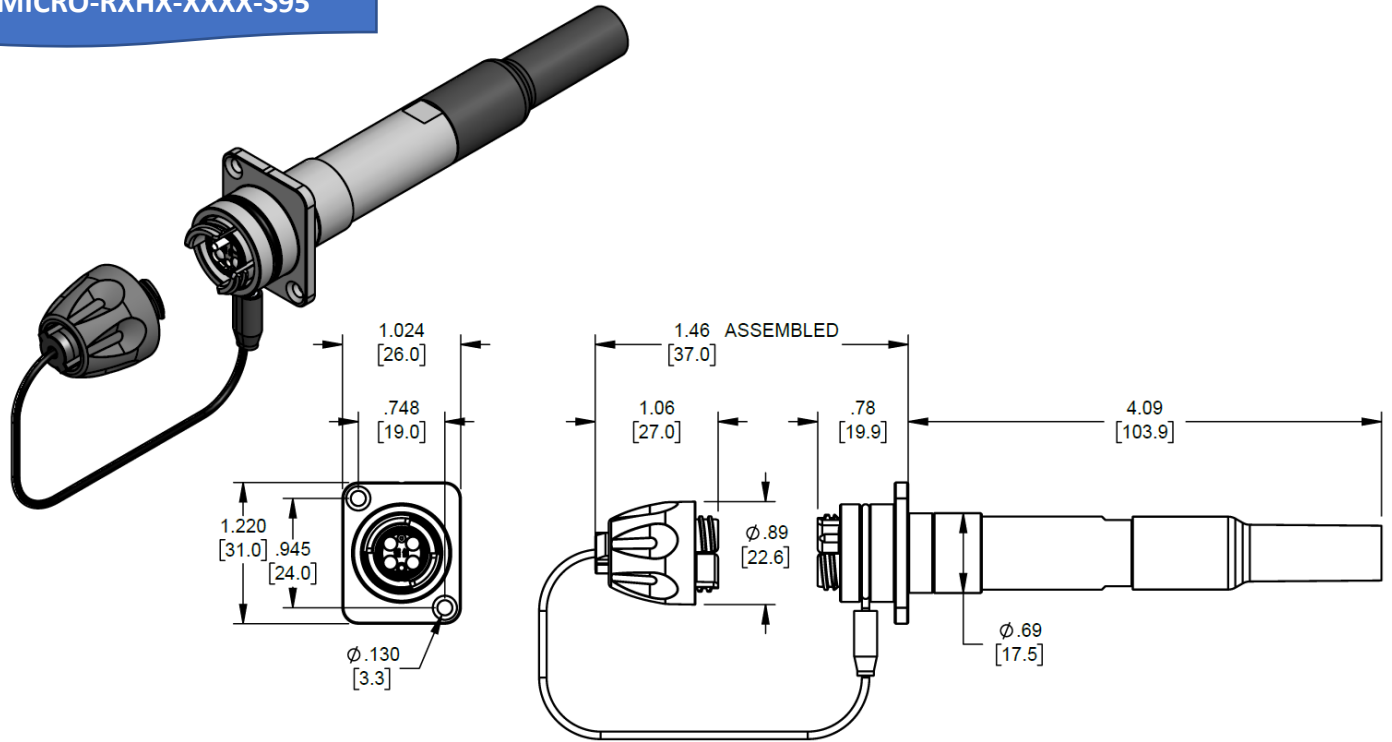
## QMicro Receptacle, Flange Mount, Rx, Backshell, Metal Dust Cover:

QMICRO-RXEX-XXXX-SXX



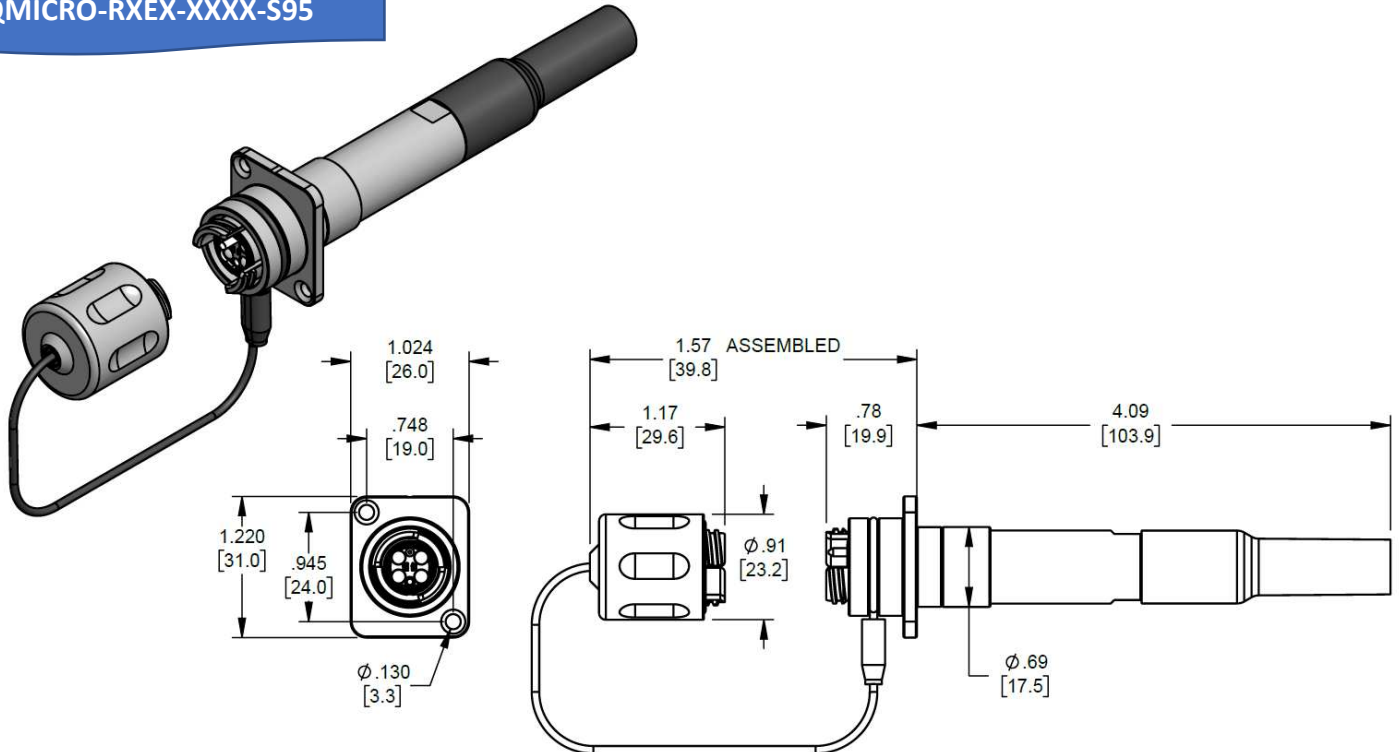
## QMicro Receptacle, Flange Mount, Rx, 9.5mm Heat Shrink Strain Relief, Composite Dust

**QMICRO-RXHX-XXXX-S95**

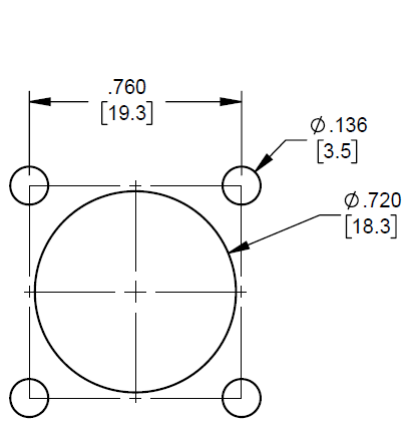


## QMicro Receptacle, Flange Mount, Rx, 9.5mm Heat Shrink Strain Relief, Metal Dust Cover:

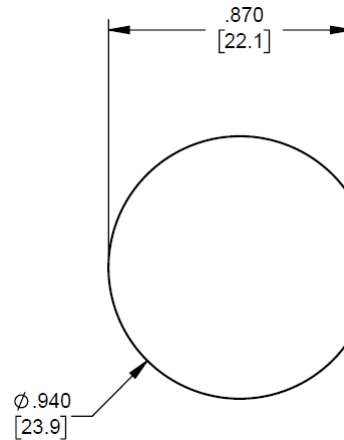
**QMICRO-RXEX-XXXX-S95**



## QMicro Receptacle & QMicro LC Adapter Panel Cutouts:

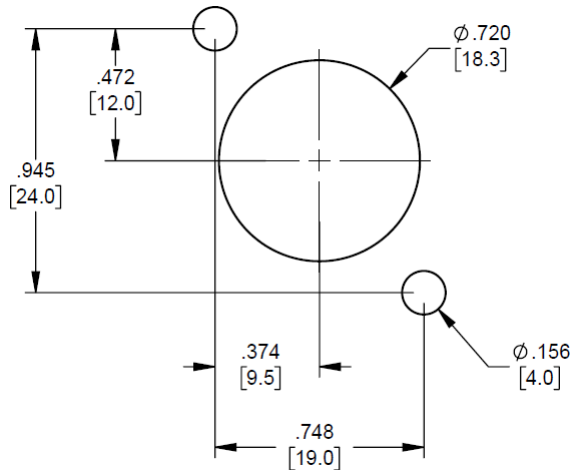


**Flange Mount (RF)**



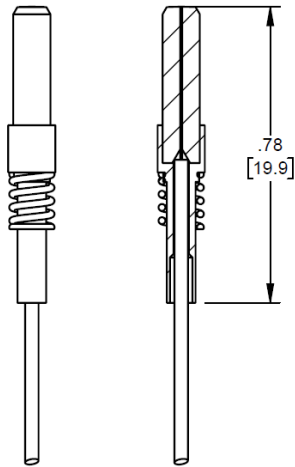
**Jam Nut (RJ)**

Maximum Panel Thickness: 0.25" (6.35mm)

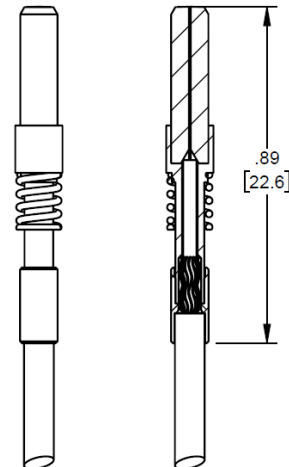


**Flange Mount, XLR Compatible**

## QMicro Termini:



**QM-TRM**  
**(No Crimp, 900µm Fiber)**



**QM-TRM-E2**  
**(Epoxy Cup, 2mm Cable)**

PART NUMBER	DESCRIPTION
QM-TRM	Terminus Assembly; QMicro; 2.5mm Ferrule OD; 125.5µm Singlemode / Multimode
QM-TRM-E2	Terminus Assembly; QMicro; 2.5mm Ferrule OD; 125.5µm Singlemode / Multimode; Epoxy Cup for 2mm Cable OD

\* Due to the channel spacing on the QMicro Inserts, traditional cable crimps are not an option. To retain a 2mm jacketed cable or subunit, please use the E2 Style Epoxy Cup Terminus.



## QMicro Inserts:

PART NUMBER	DESCRIPTION
QMICRO-INS-02SM	QMicro Insert; 2 Channel; Singlemode (1310/1550nm); Includes Termini Retainer Plate and Screw
QMICRO-INS-02MM	QMicro Insert; 2 Channel; Multimode (850/1300nm); Includes Termini Retainer Plate and Screw
QMICRO-INS-04SM	QMicro Insert; 4 Channel; Singlemode (1310/1550nm); Includes Termini Retainer Plate and Screw
QMICRO-INS-04MM	QMicro Insert; 4 Channel; Multimode (850/1300nm); Includes Termini Retainer Plate and Screw

## QMicro Replacement Dust Covers:

PART NUMBER	DESCRIPTION
QMICRO-DCHPP	Dust Cover; QMicro; Plug; Composite; Black
QMICRO-DCHPN	Dust Cover; QMicro; Plug; Aluminum; Hard Anodize; Black
QMICRO-DCHPS	Dust Cover; QMicro; Plug; Stainless Steel; Passivated
QMICRO-DCHPK	Dust Cover; QMicro; Plug; Aluminum; Zinc over Nickel; Black
QMICRO-DCHPZ	Dust Cover; QMicro; Plug; Aluminum; Zinc over Nickel; Olive Drab
QMICRO-DCHRP	Dust Cover; QMicro; Receptacle; Composite; Black
QMICRO-DCHRN	Dust Cover; QMicro; Receptacle; Aluminum; Hard Anodize; Black
QMICRO-DCHRS	Dust Cover; QMicro; Receptacle; Stainless Steel; Passivated
QMICRO-DCHRK	Dust Cover; QMicro; Receptacle; Aluminum; Zinc over Nickel; Black
QMICRO-DCHRZ	Dust Cover; QMicro; Receptacle; Aluminum; Zinc over Nickel; Olive Drab
QMICRO90-DCHPP	Dust Cover; QMicro; 90° Plug; Composite; Black
QMICRO90-DCHPN	Dust Cover; QMicro; 90° Plug; Aluminum; Hard Anodize; Black
QMICRO90-DCHPS	Dust Cover; QMicro; 90° Plug; Stainless Steel; Passivated
QMICRO90-DCHPK	Dust Cover; QMicro; 90° Plug; Aluminum; Zinc over Nickel; Black
QMICRO90-DCHPZ	Dust Cover; QMicro; 90° Plug; Aluminum; Zinc over Nickel; Olive Drab

## QMicro Cable Interface Kits:

PART NUMBER	DESCRIPTION
QMICRO-SRK-45	Cable Interface Kit; QMicro; Includes: Crimp, Crimp Support, Cable Seal, & Bend Limiter Boot; for Cable OD (3.6mm - 4.5mm)
QMICRO-SRK-55	Cable Interface Kit; QMicro; Includes: Crimp, Crimp Support, Cable Seal, & Bend Limiter Boot; for Cable OD (4.6mm - 5.5mm)
QMICRO-SRK-65	Cable Interface Kit; QMicro; Includes: Crimp, Crimp Support, Cable Seal, & Bend Limiter Boot; for Cable OD (5.6mm - 6.5mm)
QMICRO-SRK-75	Cable Interface Kit; QMicro; Includes: Crimp, Crimp Support, Cable Seal, & Bend Limiter Boot; for Cable OD (6.6mm - 7.5mm)
QMICRO-SRK-95	Cable Interface Kit; QMicro; Includes: Crimp, Crimp Support, Cable Seal, & Heat Shrink Boot; for Cable OD (7.6mm - 9.5mm)

## QMicro Cable Crimps:

PART NUMBER	DESCRIPTION
CP-030-C	Crimp; Strain Relief; .38 Inch Form Factor; Brass
CS-002-C	Crimp Support; 4 x 2.0mm; .38 Inch Form Factor; Brass
CS-045-C	Crimp Support; 3.6mm-4.5mm Cable OD; .38 Inch Form Factor; Brass
CS-055-C	Crimp Support; 4.6mm-5.5mm Cable OD; .38 Inch Form Factor; Brass
CS-065-C	Crimp Support; 5.6mm-6.5mm Cable OD; .38 Inch Form Factor; Brass

## QMicro Tools:

PART NUMBER	DESCRIPTION
TK-045	QMicro Tool Kit (Includes all items below)
PT-388	QMini / QMicro Torque Fixture Stand
PT-617	QMicro Torque Fixture
PT-540	Hydraulic Hand Crimping Tool
PT-541	Die Set, 0.314 Hex for Hydraulic Hand Crimper



# QFC

FIBER OPTIC

**Military**   **Aerospace**   **Defense**   **Industrial**   **Oil & Gas**   **Mining**   **Energy**   **Marine**   **Entertainment**   **Audio**   **Broadcast**

