

# QGrip Breakout Kit

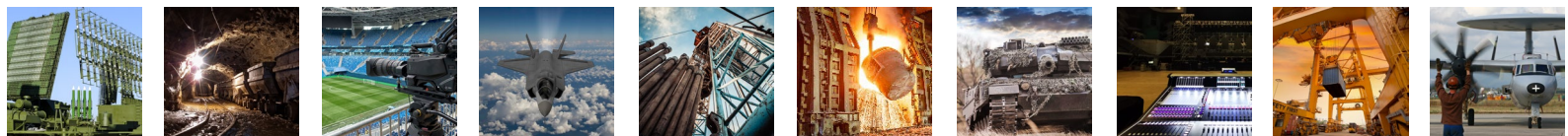


Proudly Designed, Manufactured  
& Assembled in the USA



QPC is ISO 9001:2015 and  
AS9100D Certified

Military    Aerospace    Defense    Industrial    Oil & Gas    Mining    Energy    Marine    Entertainment    Audio    Broadcast



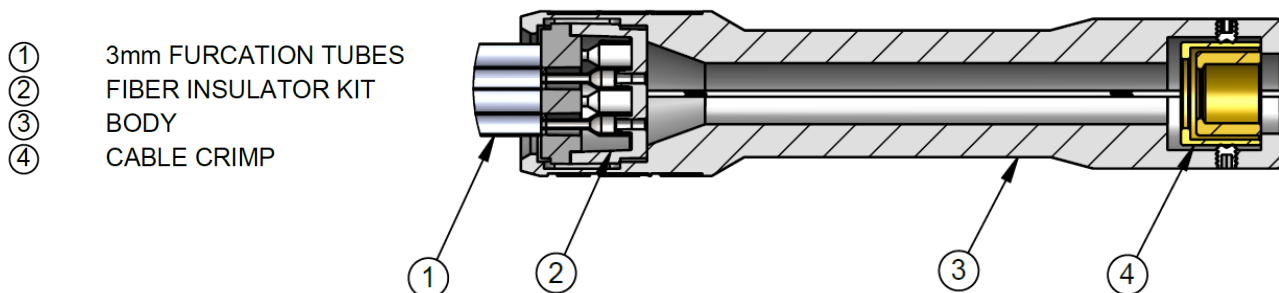
<b>Contents</b>	
<b>Product Introduction</b>	<b>Page 1</b>
<b>Part Number Builder</b>	<b>Page 2 - 3</b>
<b>QGrip Line Drawings</b>	<b>Page 4 - 5</b>
<b>Tools</b>	<b>Page 6</b>



The QPC QGrip Breakout Kit is a ruggedized solution for terminating jacketed distribution or tactical cables (900µm tight buffered fiber) with up to 24 x ST, SC, LC, or FC connectors. The QGrip features a machined aluminum body with a black anodize finish that can be laser marked with a customer's logo. The furcation legs are individual riser rated 3mm subunits with their own aramid yarn. These legs are color coded and come with a standard length of 36 inches. The QGrip is attached to distribution or tactical cable using a two-piece crimp system designed to capture the strength elements of the cable and is supplied with heat shrink to create a transition to the diameter of the cable. The QGrip's two-piece clamshell design is sealed to IP50 (Dust Protected).

QGrip Breakout Kits are used where jacketed cables need to be directly terminated, particularly in Oil & Gas, Mining, Factory Automation, Heavy Equipment, Broadcast, Medical, Military, Aerospace, and Defense for Communications, Audio / Video, and Sensing Applications.

- 2Ch - 24Ch Ruggedized Cable Furcation Kit
- Body: Black Hard Anodized Machined Aluminum, Designed to Accommodate Various Sizes of Crimp Strain Reliefs
- Legs: 3mm Color-Coded Subunits Designed to Accept 900µm Buffered Fiber
- Cable OD up to 9.5mm
- Cable Retention: 100lbs (Depending on Cable Type)
- Available with Optional Mesh Pulling Sock
- Available with Custom Laser Marking / OEM Private Labeling
- Sealed to IP50



**Specifications Notes:**

\* All Dimensions in this document are shown in Inches (Millimeters)

**Part Number Builder; QGrip Single 2-12CH:**

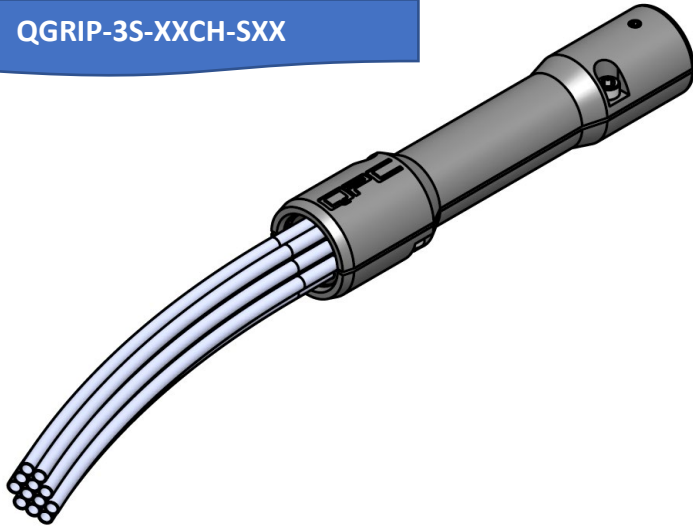
<b>Sample Part Number:</b> QGRIP-3S-2CH-S45-PS	<b>QGRIP</b>	-	<b>3</b>	<b>S</b>	-	<b>02CH</b>	-	<b>S45</b>	-	<b>PS</b>
<b>1 Series</b> QGrip										
<b>2 Subunit Size</b> 3 - 3mm SUBUNITS WITH 36" LENGTH (CONSULT QPC FOR OTHER LENGTHS)										
<b>3 Subunit Tube Color</b> S - COLOR CODED (CONSULT QPC FOR OTHER OPTIONS)										
<b>4 Insulator</b> 02 - 2 FIBER INSULATOR KIT 04 - 4 FIBER INSULATOR KIT 06 - 6 FIBER INSULATOR KIT 08 - 8 FIBER INSULATOR KIT 10 - 10 FIBER INSULATOR KIT 12 - 12 FIBER INSULATOR KIT										
<b>5 Crimp Support</b> S45 - 3.6mm TO 4.5mm OD CABLE S55 - 4.6mm TO 5.5mm OD CABLE S65 - 5.6mm TO 6.5mm OD CABLE S75 - 6.6mm TO 7.5mm OD CABLE S85 - 7.6mm TO 8.5mm OD CABLE S95 - 8.6mm TO 9.5mm OD CABLE										
<b>6 Pulling Sock</b> OMIT - NO PULLING SOCK PS - WITH PULLING SOCK										

**Part Number Builder; QGrip Dual 14-24CH:**

<b>Sample Part Number:</b> QGrip-3S-14CH-S45-PS	<b>QGrip</b>	-	<b>3</b>	<b>S</b>	-	<b>14CH</b>	-	<b>S45</b>	-	<b>PS</b>
<b>1 Series</b> QGrip										
<b>2 Subunit Size</b> 3 - 3mm SUBUNITS WITH 36" LENGTH (CONSULT QPC FOR OTHER LENGTHS)										
<b>3 Subunit Tube Color</b> S - COLOR CODED (CONSULT QPC FOR OTHER OPTIONS)										
<b>4 Insulator</b> 14 - 12 & 2 FIBER INSULATOR KIT 16 - 12 & 4 FIBER INSULATOR KIT 18 - 12 & 6 FIBER INSULATOR KIT 20 - 12 & 8 FIBER INSULATOR KIT 22 - 12 & 10 FIBER INSULATOR KIT 24 - 12 & 12 FIBER INSULATOR KIT										
<b>5 Crimp Support</b> S45 - 3.6mm TO 4.5mm OD CABLE S55 - 4.6mm TO 5.5mm OD CABLE S65 - 5.6mm TO 6.5mm OD CABLE S75 - 6.6mm TO 7.5mm OD CABLE S85 - 7.6mm TO 8.5mm OD CABLE S95 - 8.6mm TO 9.5mm OD CABLE										
<b>6 Pulling Sock</b> OMIT - NO PULLING SOCK PS - WITH PULLING SOCK										

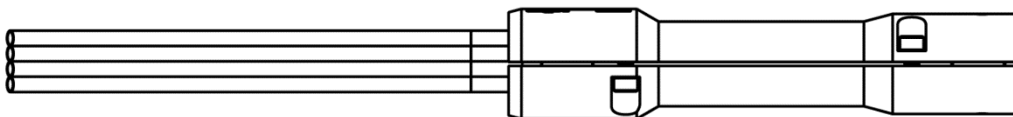
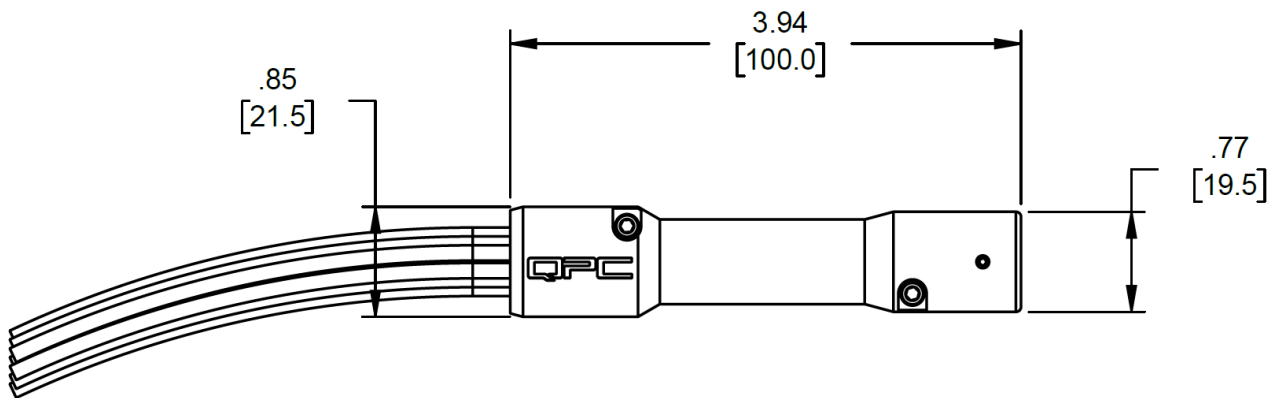
## QGrip Breakout Kit; Single 2-12CH:

QGRIP-3S-XXCH-SXX



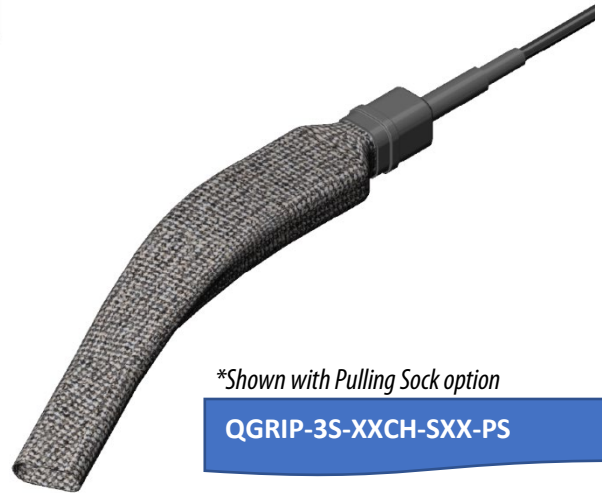
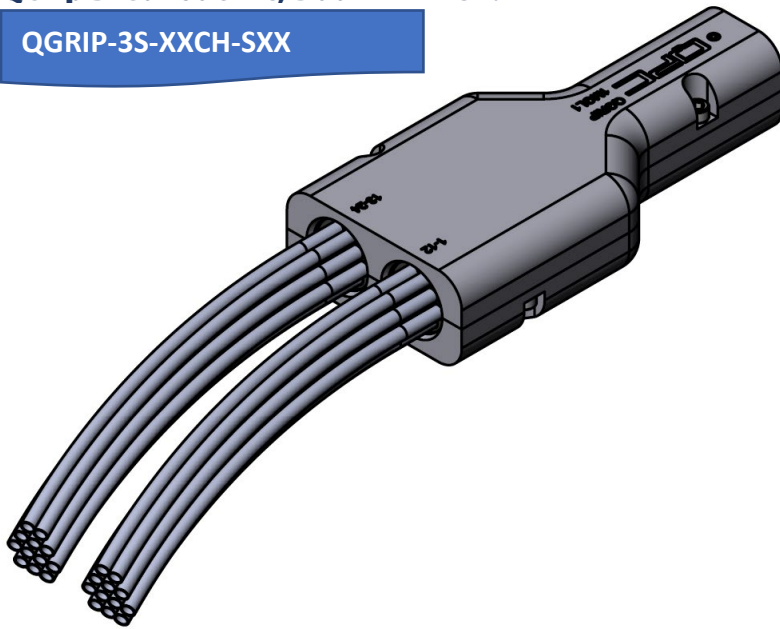
*\*Shown with Pulling Sock option*

QGRIP-3S-XXCH-SXX-PS



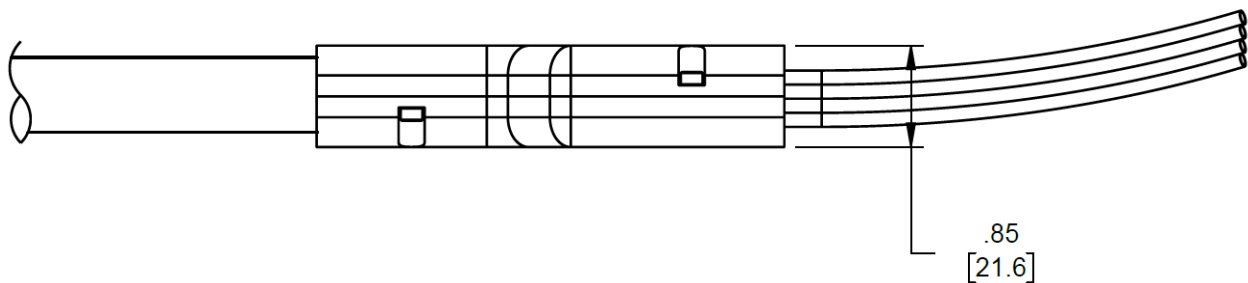
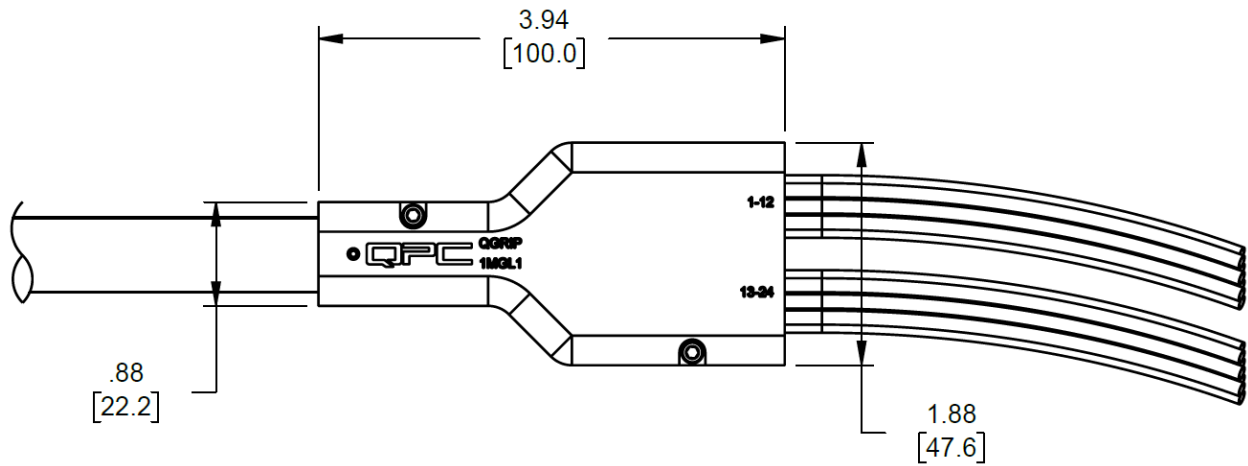
**QGrip Breakout Kit; Dual 14-24CH:**

**QGRIP-3S-XXCH-SXX**



*\*Shown with Pulling Sock option*

**QGRIP-3S-XXCH-SXX-PS**



**QGrip Tools:**

<b>Tool PN</b>	<b>DESCRIPTION</b>
TK-049	QGrip Tool Kit (Includes all items below)
PT-540	Hydraulic Hand Crimping Tool
PT-542	Die Set, 0.444 Hex for Hydraulic Hand Crimper









# QFC

FIBER OPTIC

**Military    Aerospace    Defense    Industrial    Oil & Gas    Mining    Energy    Marine    Entertainment    Audio    Broadcast**

