



Q38 Connectors & Q38Shell Backshells

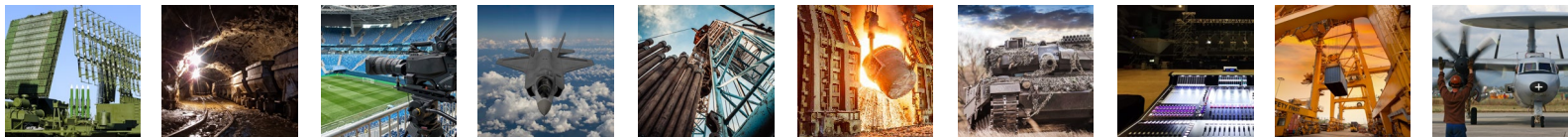


Proudly Designed, Manufactured
& Assembled in the USA



QPC is ISO 9001:2015 and
AS9100D Certified

Military Aerospace Defense Industrial Oil & Gas Mining Energy Marine Entertainment Audio Broadcast



Contents	
Product Introduction	Page 1
Specifications	Page 2
Part Number Builders	Page 3 - 5
Q38 Plug and Receptacle Line Drawings & Insert Layouts	Page 6 - 17
Q38HD / Q38EB / Q38MT Plug and Receptacle Key Layout Details	Page 18
Q38HD / Q38EB / Q38MT Receptacle Panel Cutouts	Page 19
Q38Shell & Q38EShell Backshell Line Drawings	Page 20 – 37
Q38DC Dustcover Line Drawings	Page 38 - 41
Q38Shell Backshell Strain Relief Options	Page 42 - 43
Q38HD Termini and Alignment Sleeve Retainers (ASRs)	Page 44 - 45
Q38EB Termini and QMicro / QMini Expanded Beam Inserts	Page 46 -47
Q38MT Termini	Page 48
Q38Shell Heat Shrink Details	Page 49
Q38Shell Band Clamp Details	Page 50
Tools	Page 51

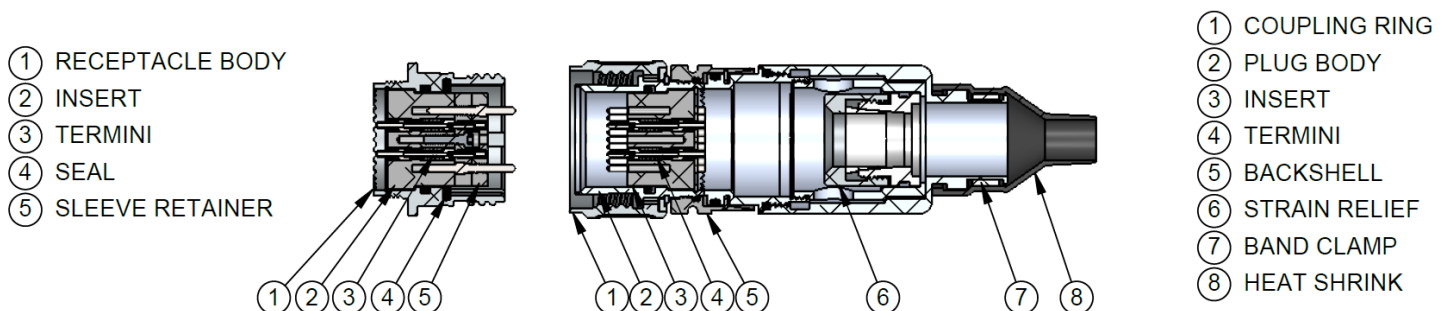


QPC's Q38 Connector System utilizes the proven shell technology from the widely used Military Specified (Mil-Spec) D38999 Connectors combined with three variations of custom inserts to improve channel density and to offer expanded beam connectivity. The Q38HD uses a High Density physical contact genderless termini that is smaller than the traditional M29504/4 & M29504/5 to support more discrete channels in a given shell size. Q38HD also features a removable Alignment Sleeve Retainer (ASR) that can be installed in either the Plug or Receptacle. The Q38MT offers even higher density by using MT Termini that can hold 12 or 24 fibers each. The Q38EB incorporates QPC's popular QMicro and QMini inserts for Expanded Beam functionality. Q38 Connectors have industry standard rear accessory threads, so they are compatible with standard backshells, cable clamps, and other existing hardware. QPC can customize inserts to accommodate hybrid (Fiber / Copper) designs and to produce special layouts.

QPC's Q38Shell Backshells compliment the Q38 Connector System with Strain Relief and Cable Exit Options designed specifically for use with fiber optic cable. Optional Q38DC Dustcovers complete the product line. A variety of materials and finishes are available across the entire Q38 Product Line for use in many types of harsh environments. Q38Shell Backshells and Q38DC Dustcovers are designed to be compatible with Mil-Spec D38999 Connectors available from other manufacturers.

Q38 Connectors, Q38Shell Backshells, and Q38DC Dustcovers are used in Military, Aerospace, and Defense for Communications, Audio / Video, and Sensing Applications.

- Q38HD: 4Ch (Shell Size 11) / 20Ch (Shell Size 17) / 28Ch (Shell Size 19) / 48Ch (Shell Size 23)
- Q38EB: 4Ch (1x QMicro in Shell Size 11) / 4Ch (1x QMini in Shell Size 13) / 12Ch (3x QMicro in Shell Size 23)
- Q38MT: 12/24Ch (1x MT in Shell Size 15) / 24/48Ch (2x MT in Shell Size 17) / 48/96Ch (4x MT in Shell Size 21)
- Plugs: With Triple Start Threads, Ratcheting Coupling Rings, D38999 Standard Rear Accessory Threads
- Receptacles: Flange Mount and Jam Nut, D38999 Standard Rear Accessory Threads
- Q38Shell Backshells: Straight, 45°, and 90° Backshells with or without Wedge Strain Reliefs, equipped with Heat Shrink, Heat Shrink with Band Clamp, Gland, or Gland with Bend Limiter Cable Exit Options, supporting Cable ODs from 3.6mm to 17.5mm
- Q38DC Dustcovers: Sealed Dustcovers for Q38 Connectors with Crimp, Ring, and Eyelet Attachments
- Sealed to IP68



Specifications:

	Q38HD 1.25mm Termini	Q38EB Expanded Beam	Q38MT MT Termini
Insertion Loss: SM (9/125µm)	0.10-1.0dB Max.	0.75-2.0dB Max.	0.35-1.0dB Max.
MM (50/125µm)	0.50-1.0dB Max.	0.75-1.5dB Max.	0.35-1.0dB Max.
MM (62.5/125µm)	0.50-1.0dB Max.	0.75-1.5dB Max.	0.35-1.0dB Max.
Return Loss: SM (9/125µm)	-55dB	-34dB	-60dB
Operating Temperature:	-46°C to +85°C	-46°C to +85°C	-40°C to +75°C
Vibration:	10 to 2000Hz / 10g, EIA/TIA-455-11, Condition III and 10 to 2000Hz / 20g / 9g RMS Avg, EIA/TIA-455-11, Condition IV		10 to 55Hz EIA/TIA-455-11, Cond. I
Mating Durability:	500 Cycles		
Impact:	8 Impacts @ 8FT (2.5MT), EIA/TIA-455-2		
Shock:	50g for 11ms, EIA/TIA-455-14, Condition A		
IP Rating:	IP68 - Dust Tight, No ingress of dust, complete protection against contact, Water Immersion, 1m Testing Conditions & Duration – Plug with Dust Cover and Mated Plug / Receptacle, 3 Meters for 24 Hours		
Material & Plating Specifications:	<p>Electroless Nickel: 6061-T6 Aluminum, Electroless Nickel per ASTM B733, .0006/.0003 Thick <i>NOTE: When Electroless Nickel is selected, the Flange Mount / Jam Nut Receptacle Body (All Shell Sizes) and Plug Coupling Ring (Shell Sizes 23 & 25) will be Electroless Nickel, Teflon Impregnated (ENSLICK) Per ASTM B733, TYI, .0002-.0003" Thick Over Electroless Nickel Per ASTM B733, TYI, .0002-.0003" Thick (Total Thickness .0004"-.0006")</i></p> <p>Black Hard Anodize: 6061-T6 Aluminum, Anodize per MIL-A-8625 Type III Class 2, .0022/.0018 Thick (50% Penetration), Black</p> <p>Stainless Steel: 303 Stainless Steel, Passivate Per QQ-P-35</p> <p>Black Zinc-Nickel: 6061-T6 Aluminum, Zinc-Nickel Followed by Black Chromate per AMS-2417 Electroless Nickel Plate .0003 to .00035 thickness as per AMS-C-26074 Alkaline Zinc-Nickel Plate .0003 to .0004 thickness as per AMS 2417 "H" TY 2 Zinc Strike - .00005 - .000150 Thickness per ASTM B 633 "11" Black Chromate</p> <p>Olive Drab Zinc-Nickel: 6061-T6 Aluminum, Zinc-Nickel Followed by Olive Drab Chromate per AMS-2417 Electroless Nickel Plate .0003 to .00035 thickness as per AMS-C-26074 Alkaline Zinc-Nickel Plate .0003 to .0004 thickness as per AMS 2417 "H" TY 2 Zinc Strike - .00005 - .000150 Thickness per ASTM B 633 "11" Dark Green Olive Drab Chromate</p>		
Cable Retention:	400 lbs (1780 N) ¹		

Specifications Notes:

¹ Cable retention depends on Cable Type and Strain Relief Option Selected

* All Dimensions in this document are shown in Inches (Millimeters)

Part Number Builder, Q38 Plugs and Receptacles:

Sample Part Number: Q38HD-PGE-17A4-N	Q38HD	-	PG		E	-	17		A4	-	N
1 Series Q38HD - Q38 HIGH DENSITY Q38EB - Q38 EXPANDED BEAM Q38MT - Q38 MT TERMINI											
2 Product Type PG - PLUG, D38999/26 STYLE RF - RECEPTACLE, FLANGE MOUNT, D38999/20 STYLE RJ - RECEPTACLE, JAM NUT, D38999/24 STYLE											
3 Material & Finish Code E - ALUMINUM, ELECTROLESS NICKEL N - ALUMINUM, HARD ANODIZE, BLACK S - STAINLESS STEEL, PASSIVATED K - ALUMINUM, ZINC OVER NICKEL, BLACK Z - ALUMINUM, ZINC OVER NICKEL, OLIVE DRAB (CONSULT QPC FOR OTHER OPTIONS)											
4 Shell Size 11 - SHELL SIZE 11 13 - SHELL SIZE 13 15 - SHELL SIZE 15 17 - SHELL SIZE 17 19 - SHELL SIZE 19 21 - SHELL SIZE 21 23 - SHELL SIZE 23 25 - SHELL SIZE 25											
5 Insert Layout A1 - Q38HD, SHELL SIZE 11, 4x HD TERMINI A4 - Q38HD, SHELL SIZE 17, 20x HD TERMINI A5 - Q38HD, SHELL SIZE 19, 28x HD TERMINI A7 - Q38HD, SHELL SIZE 23, 48x HD TERMINI E1 - Q38EB, SHELL SIZE 11, 1x QMICRO INSERT E2 - Q38EB, SHELL SIZE 13, 1x QMINI INSERT E7 - Q38EB, SHELL SIZE 23, 3x QMICRO INSERTS G3 - Q38MT, SHELL SIZE 15, 1x MT PIN TERMINUS G4 - Q38MT, SHELL SIZE 17, 2x MT PIN TERMINI G6 - Q38MT, SHELL SIZE 21, 4x MT PIN TERMINI XX - CUSTOM INSERT LAYOUT B1 - Q38HD, SHELL SIZE 11, 4x HD TERMINI, WITH ASR B4 - Q38HD, SHELL SIZE 17, 20x HD TERMINI, WITH ASR B5 - Q38HD, SHELL SIZE 19, 28x HD TERMINI, WITH ASR B7 - Q38HD, SHELL SIZE 23, 48x HD TERMINI, WITH ASR H3 - Q38MT, SHELL SIZE 15, 1x MT SOCKET TERMINUS H4 - Q38MT, SHELL SIZE 17, 2x MT SOCKET TERMINI H6 - Q38MT, SHELL SIZE 21, 4x MT SOCKET TERMINI											
6 Key A - ALTERNATE KEY POSITION A B - ALTERNATE KEY POSITION B C - ALTERNATE KEY POSITION C D - ALTERNATE KEY POSITION D E - ALTERNATE KEY POSITION E N - NORMAL KEYING U - UNIVERSAL KEYING											

Part Number Builder Notes:

- * For all Q38 Connectors order Termini, Backshells, and Dust Covers Separately
- * For Q38HD, Alignment Sleeve Retainers (ASR's) can be installed in either the Plug or Receptacle and channel numbers will be marked accordingly
- * For Aluminum, Electroless Nickel Q38 Connectors, the Inserts and ASRs (if applicable) will be Aluminum, Hard Anodize, Black. For all other Material / Finishes, the Inserts and ASRs (if applicable) will be the same Material / Finish as the Connector Shell
- * See Page 18 for Key Layout Details
- * See for Page 9 (Q38HD), Page 13 (Q38EB), or Page 17 (Q38MT) for Insert Layout Details

Part Number Builder, Backshells Q38 Plugs and Receptacles:

Sample Part Number: Q38SHELL-STE-17-S065-HS	Q38SHELL	-	ST	E	-	17	-	S	065	-	HS
1 Series Q38SHELL - D38999 COMPATIBLE BACKSHELL Q38EBSHELL - Q38EB BACKSHELL											
2 Type ST - STRAIGHT 45 - 45 DEGREE 90 - 90 DEGREE											
3 Material & Finish Code E - ALUMINUM, ELECTROLESS NICKEL N - ALUMINUM, HARD ANODIZE, BLACK S - STAINLESS STEEL, PASSIVATED K - ALUMINUM, ZINC OVER NICKEL, BLACK Z - ALUMINUM, ZINC OVER NICKEL, OLIVE DRAB (CONSULT QPC FOR OTHER OPTIONS)											
4 Shell Size 11 - SHELL SIZE 11 13 - SHELL SIZE 13 15 - SHELL SIZE 15 17 - SHELL SIZE 17 19 - SHELL SIZE 19 21 - SHELL SIZE 21 23 - SHELL SIZE 23 25 - SHELL SIZE 25											
5 Strain Relief Type S - WEDGE STYLE STRAIN RELIEF N - NO STRAIN RELIEF											
6 Cable / Conduit Outside Diameter (OD) Identifier See Table I											
7 Cable Exit HS - HEAT SHRINK SEAL / CABLE EXIT HC - HEAT SHRINK WITH BAND CLAMP SEAL / CABLE EXIT GL - GLAND SEAL / CABLE EXIT GB - GLAND WITH BEND LIMITER SEAL / CABLE EXIT											

Part Number Builder Notes:

- * Q38Shell Backshells have standard length Backshell Coupling Rings and are designed to work with the standard accessory threads on Q38HD / Q38MT Connectors as well as on industry standard D38999 Connectors
- * Q38EBSHELL Backshells have longer Backshell Coupling Rings and are designed to work with the longer accessory threads on the Q38EB Connectors
- * If Q38Shell / Q38EBSHELL Backshells are used on Flange Mount (RF) Receptacles that will be Panel Mounted, they must be Internally Mounted
- * Q38Shell Backshells using Heat Shrink Cable Exits (Cable Exit Options "HS" and "HC") include a Heat Shrink Boot and also include an additional piece of Adhesive Lined Heat Shrink to Build up the Cable Diameter for OD Identifiers 045, 055, and 065, see Page 49 for more information
- * Q38Shell Backshells using Heat Shrink with Band Clamp Cable Exits (Cable Exit Option "HC") include a Band Clamp in addition to the Heat Shrink outlined above, see Page 50 for more information

Part Number Builder, Dust Covers Q38 Plugs and Receptacles:

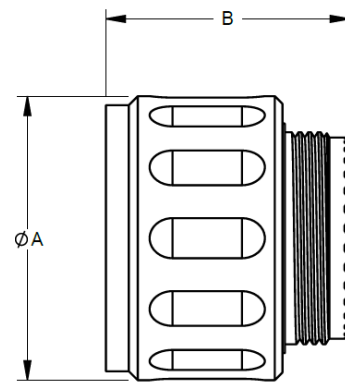
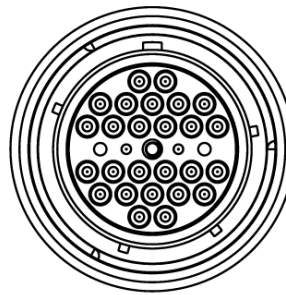
Sample Part Number: Q38DC-PGE-17	Q38DC	-	PG	E	-	17
1 Series Q38DC - D38999 COMPATIBLE DUST COVERS						
2 Product Type PG - PLUG, D38999/32 STYLE, CRIMP ATTACHMENT PR - PLUG, D38999/32 STYLE, RING ATTACHMENT RF - RECEPTACLE, FLANGE MOUNT, D38999/33 STYLE, EYELET ATTACHMENT RJ - RECEPTACLE, JAM NUT, D38999/33 STYLE, RING ATTACHMENT						
3 Material & Finish Code E - ALUMINUM, ELECTROLESS NICKEL N - ALUMINUM, HARD ANODIZE, BLACK S - STAINLESS STEEL, PASSIVATED K - ALUMINUM, ZINC OVER NICKEL, BLACK Z - ALUMINUM, ZINC OVER NICKEL, OLIVE DRAB (CONSULT QPC FOR OTHER OPTIONS)						
4 Shell Size						
11 - SHELL SIZE 11			19 - SHELL SIZE 19			
13 - SHELL SIZE 13			21 - SHELL SIZE 21			
15 - SHELL SIZE 15			23 - SHELL SIZE 23			
17 - SHELL SIZE 17			25 - SHELL SIZE 25			

Part Number Builder Notes:

- * All Dust Covers use a Black Nylon Coated Stainless Steel Wire Lanyard
- * Plug Dust Covers (Type "PG") ordered with Q38Shell Backshells will come factory installed (Crimp with Heat Shrink) unless specified otherwise

Q38HD Plug, D38999/26 Style:

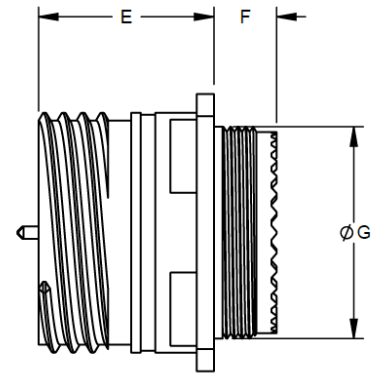
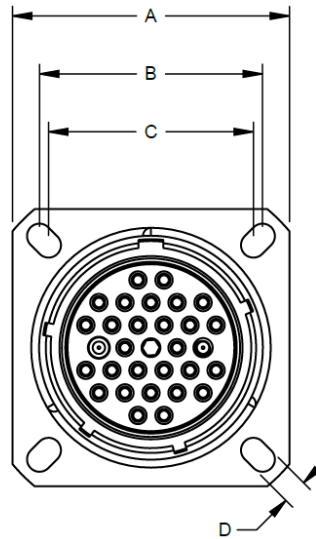
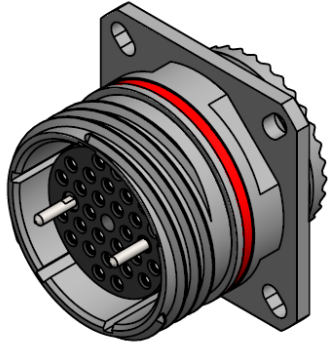
Q38HD-PGX-XXXX-X



NOMINAL DIMENSIONS: in (mm)		
SHELL SIZE	A	B
11	0.945 (24.0)	1.263 (32.1)
17	1.361 (34.6)	1.263 (32.1)
19	1.471 (37.4)	1.263 (32.1)
23	1.723 (43.8)	1.263 (32.1)

Q38HD Receptacle, Flange Mount, D38999/20 Style:

Q38HD-RFX-XXXX-X

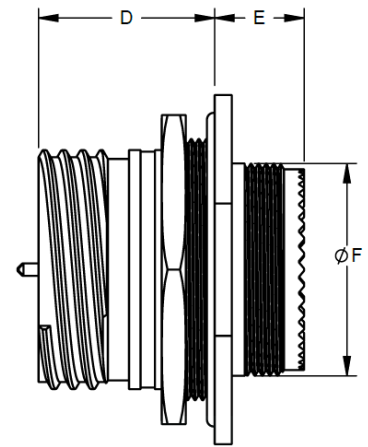
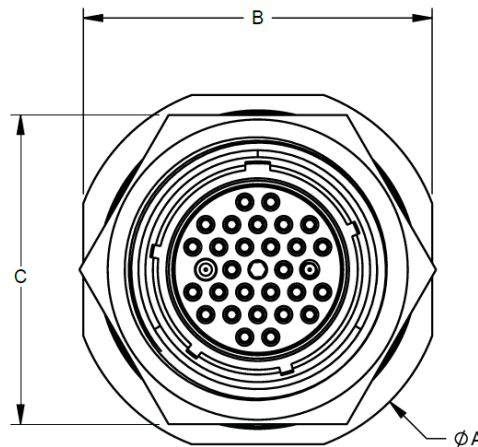
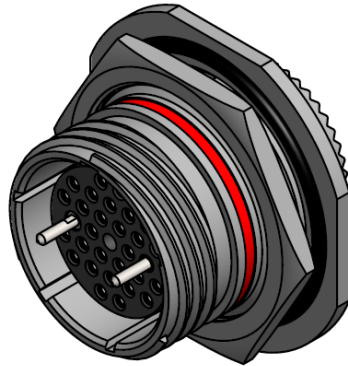


NOMINAL DIMENSIONS: in (mm)

SHELL SIZE	A	B	C	D	E	F	G
11	1.031 (26.2)	0.812 (20.6)	0.719 (18.3)	0.128 (3.3)	0.909 (23.1)	0.325 (8.3)	0.591 (15.0)
17	1.311 (33.3)	1.062 (27.0)	0.969 (24.6)	0.128 (3.3)	0.909 (23.1)	0.325 (8.3)	0.984 (25.0)
19	1.437 (36.5)	1.156 (29.4)	1.062 (27.0)	0.128 (3.3)	0.909 (23.1)	0.325 (8.3)	1.102 (28.0)
23	1.689 (42.9)	1.375 (34.9)	1.250 (31.8)	0.155 (3.9)	0.909 (23.1)	0.325 (8.3)	1.339 (34.0)



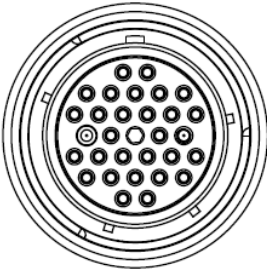
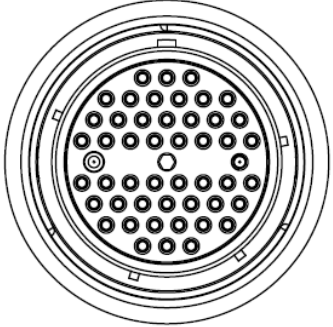
Q38HD Receptacle, Jam Nut, D38999/24 Style:

Q38HD-RJX-XXXX-X



NOMINAL DIMENSIONS: in (mm)						
SHELL SIZE	A	B	C	D	E	F
11	1.375 (34.9)	1.252 (31.8)	1.040 (26.4)	0.915 (23.2)	0.465 (11.8)	0.591 (15.0)
17	1.752 (44.5)	1.626 (41.3)	1.418 (36.0)	0.915 (23.2)	0.465 (11.8)	0.984 (25.0)
19	1.937 (49.2)	1.811 (46.0)	1.605 (40.8)	0.915 (23.2)	0.465 (11.8)	1.102 (28.0)
23	2.189 (55.6)	2.063 (52.4)	1.918 (48.7)	0.915 (23.2)	0.465 (11.8)	1.339 (34.0)

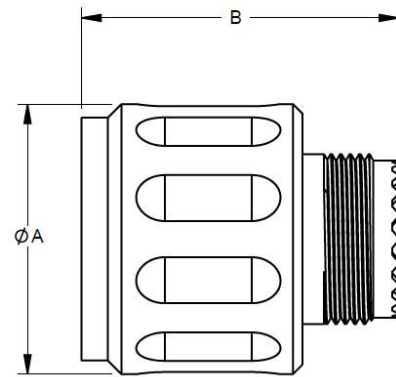
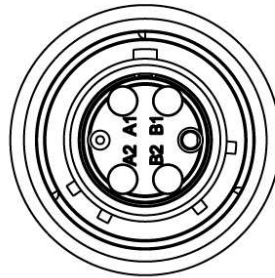
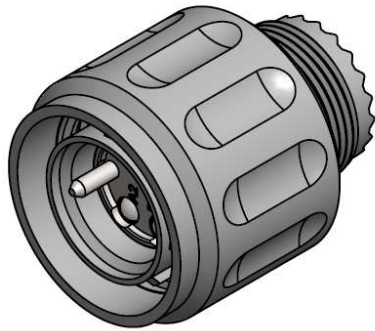
Q38HD Insert Layouts:

Shell Size / Insert Designator:	
	
11A1 4x PIN TERMINI 11B1 4x PIN TERMINI WITH ASR	17A4 20x PIN TERMINI 17B4 20x PIN TERMINI WITH ASR
	
19A5 28x PIN TERMINI 19B5 28x PIN TERMINI WITH ASR	23A7 48x PIN TERMINI 23B7 48x PIN TERMINI WITH ASR

* Alignment Sleeve Retainers (ASR's) can be installed in either the Plug or Receptacle and channel numbers will be marked accordingly

Q38EB Plug, D38999/26 Style:

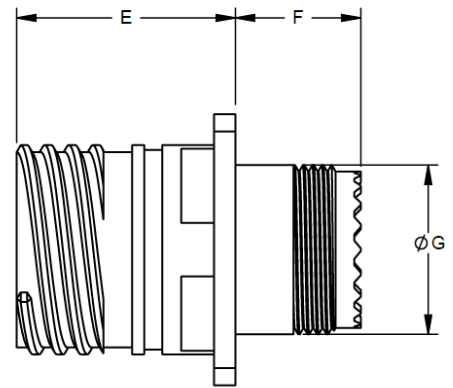
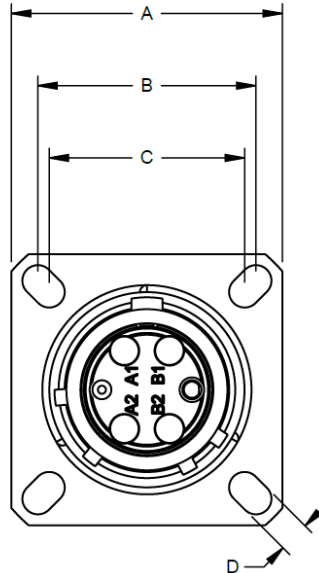
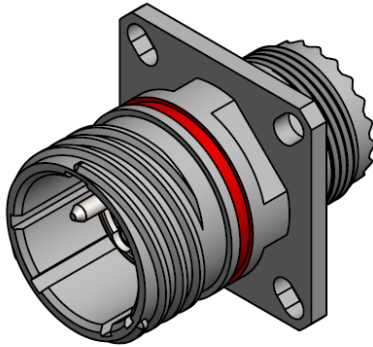
Q38EB-PGX-XXXX-X



NOMINAL DIMENSIONS: in (mm)		
SHELL SIZE	A	B
11	0.945 (24.0)	1.313 (33.4)
13	1.118 (28.4)	1.313 (33.4)
23	1.723 (43.8)	1.313 (33.4)

Q38EB Receptacle, Flange Mount, D38999/20 Style:

Q38EB-RFX-XXXX-X

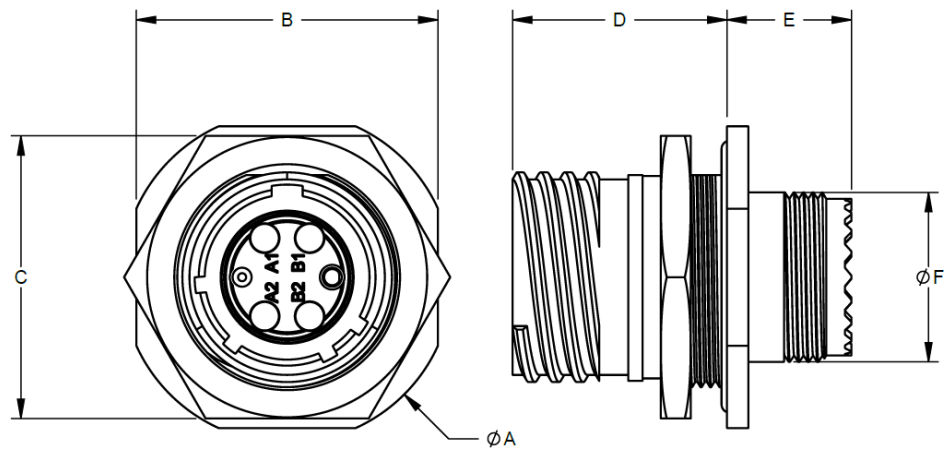
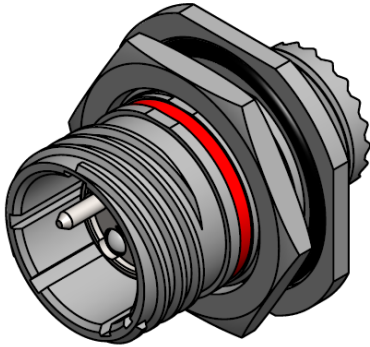


NOMINAL DIMENSIONS: in (mm)

SHELL SIZE	A	B	C	D	E	F	G
11	1.031 (26.2)	0.812 (20.6)	0.719 (18.3)	0.128 (3.3)	0.909 (23.1)	0.521 (13.2)	0.591 (15.0)
13	1.126 (28.6)	0.906 (23.0)	0.812 (20.6)	0.128 (3.3)	0.909 (23.1)	0.521 (13.2)	0.709 (18.0)
23	1.689 (42.9)	1.375 (34.9)	1.250 (31.8)	0.155 (3.9)	0.909 (23.1)	0.521 (13.2)	1.339 (34.0)

Q38EB Receptacle, Jam Nut, D38999/24 Style:

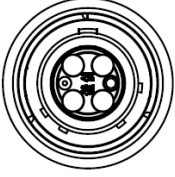
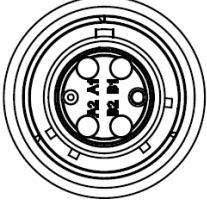
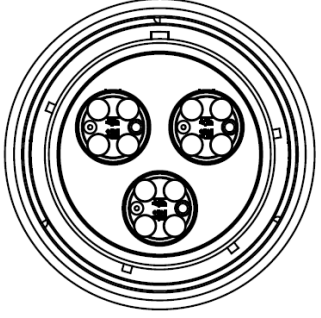
Q38EB-RJX-XXXX-X



NOMINAL DIMENSIONS: in (mm)						
SHELL SIZE	A	B	C	D	E	F
11	1.375 (34.9)	1.252 (31.8)	1.040 (26.4)	0.915 (23.2)	0.515 (13.1)	0.591 (15.0)
13	1.500 (38.1)	1.374 (34.9)	1.230 (31.2)	0.915 (23.2)	0.515 (13.1)	0.709 (18.0)
23	2.189 (55.6)	2.063 (52.4)	1.918 (48.7)	0.915 (23.2)	0.515 (13.1)	1.339 (34.0)

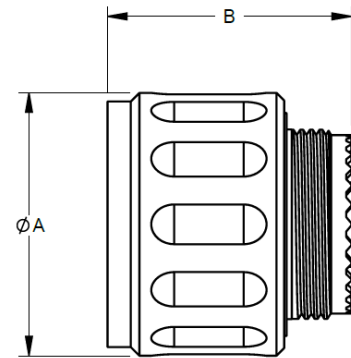
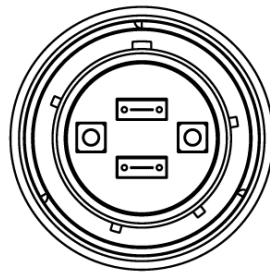
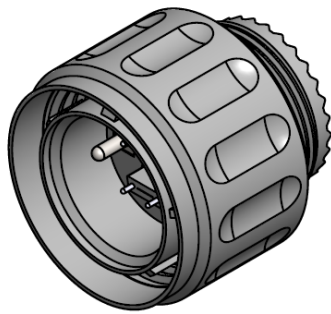
Q38EB Insert Layouts:

Shell Size / Insert Designator:

		
<p>11E1 1x QMICRO EXPANDED BEAM INSERT</p>	<p>13E2 1x QMINI EXPANDED BEAM INSERT</p>	<p>23E7 3x QMICRO EXPANDED BEAM INSERTS</p>

Q38MT Plug, D38999/26 Style:

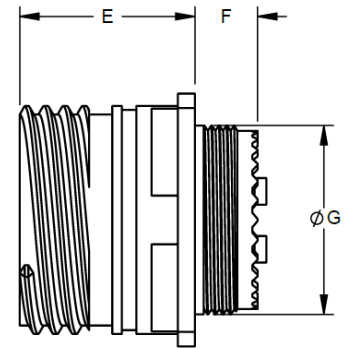
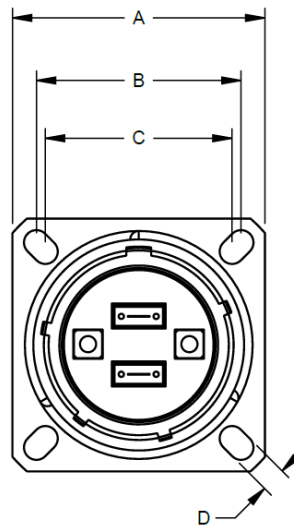
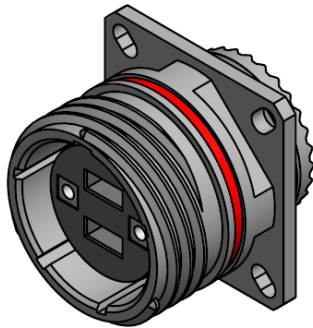
Q38MT-PGX-XXXX-X



NOMINAL DIMENSIONS: in (mm)		
SHELL SIZE	A	B
15	1.241 (31.5)	1.263 (32.1)
17	1.361 (34.6)	1.263 (32.1)
21	1.597 (40.6)	1.263 (32.1)

Q38MT Receptacle, Flange Mount, D38999/20 Style:

Q38MT-RFX-XXXX-X

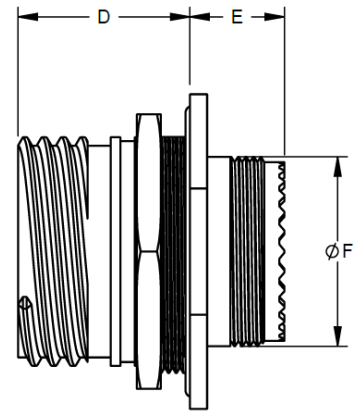
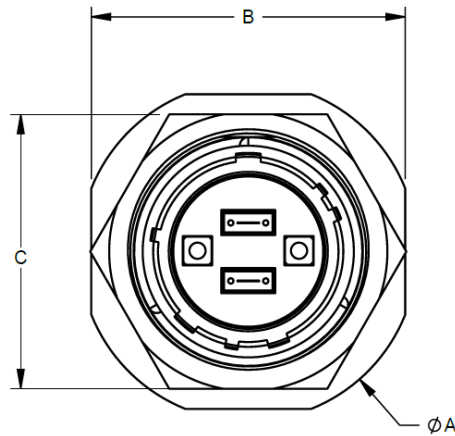
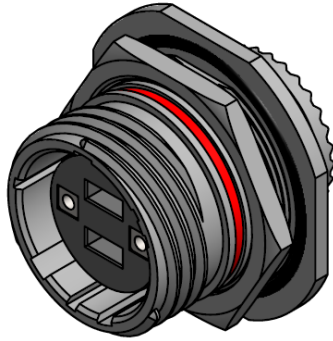


NOMINAL DIMENSIONS: in (mm)

SHELL SIZE	A	B	C	D	E	F	G
15	1.220 (31.0)	0.969 (24.6)	0.906 (23.0)	0.128 (3.3)	0.909 (23.1)	0.325 (8.3)	0.866 (22.0)
17	1.311 (33.3)	1.062 (27.0)	0.969 (24.6)	0.128 (3.3)	0.909 (23.1)	0.325 (8.3)	0.984 (25.0)
21	1.563 (39.7)	1.250 (31.8)	1.156 (29.4)	0.128 (3.3)	0.909 (23.1)	0.325 (8.3)	1.220 (31.0)

Q38MT Receptacle, Jam Nut, D38999/24 Style:

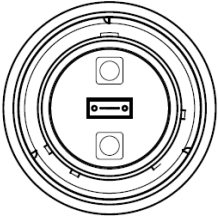
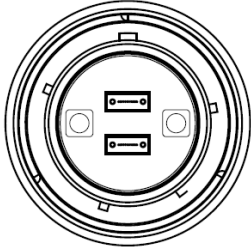
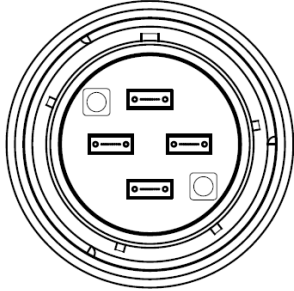
Q38MT-RJX-XXXX-X



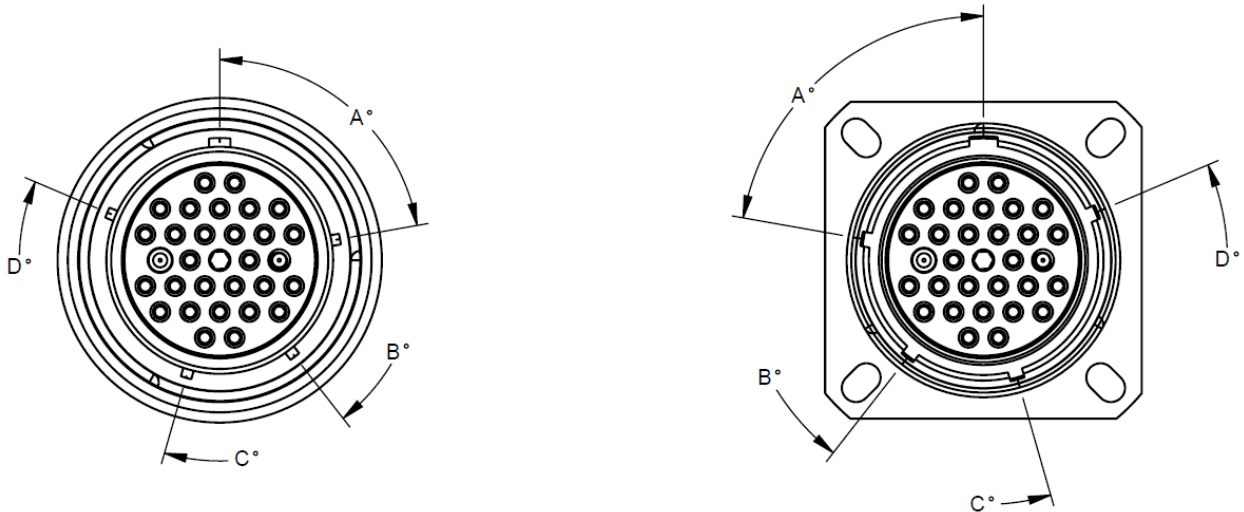
NOMINAL DIMENSIONS: in (mm)						
SHELL SIZE	A	B	C	D	E	F
15	1.626 (41.3)	1.500 (38.1)	1.355 (34.4)	0.915 (23.2)	0.465 (11.8)	0.866 (22.0)
17	1.752 (44.5)	1.626 (41.3)	1.418 (36.0)	0.915 (23.2)	0.465 (11.8)	0.984 (25.0)
21	2.063 (52.4)	1.937 (49.2)	1.792 (45.5)	0.915 (23.2)	0.465 (11.8)	1.220 (31.0)

Q38MT Insert Layouts:

Shell Size / Insert Designator:

		
<p>15G3 1x MT PIN TERMINUS 15H3 1x MT SOCKET TERMINUS</p>	<p>17G4 2x MT PIN TERMINI 17H4 2x MT SOCKET TERMINI</p>	<p>21G6 4x MT PIN TERMINI 21H6 4x MT SOCKET TERMINI</p>

Key Layout Details, Q38 Plugs and Receptacles:

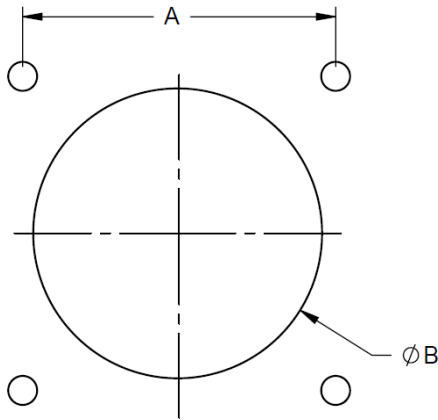


KEY ANGLES: SHELL SIZES 11-15				
KEY	A°	B°	C°	D°
N	95	141	208	236
A	113	156	182	292
B	90	145	195	252
C	53	156	220	255
D	119	146	176	298
E	51	141	184	242

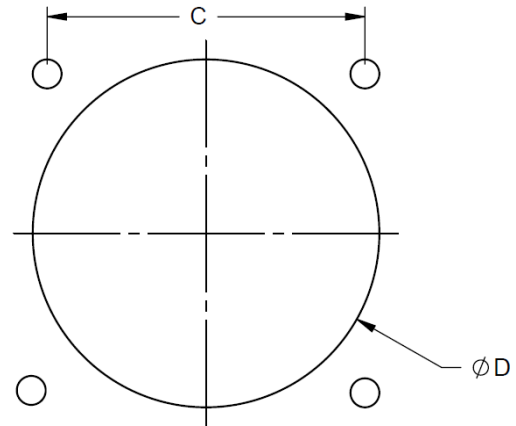
KEY ANGLES: SHELL SIZES 17-25				
KEY	A°	B°	C°	D°
N	80	142	196	293
A	135	170	200	310
B	49	169	200	244
C	66	140	200	257
D	62	145	180	280
E	79	153	197	272

* Q38 Connectors with Key Designator "U" (Universal) will mate with all other Keys

Q38 Receptacle Panel Cutouts:

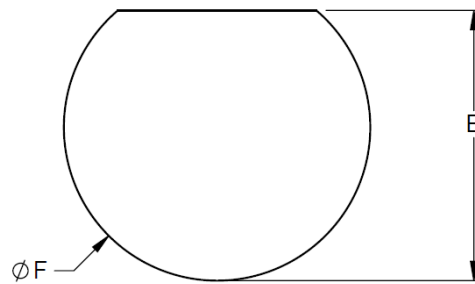


Q38 External Flange Mount (RF)



Q38 Internal Flange Mount (RF)

Maximum Panel Thickness: 0.125" (3.18mm)



Q38 Jam Nut (RJ)

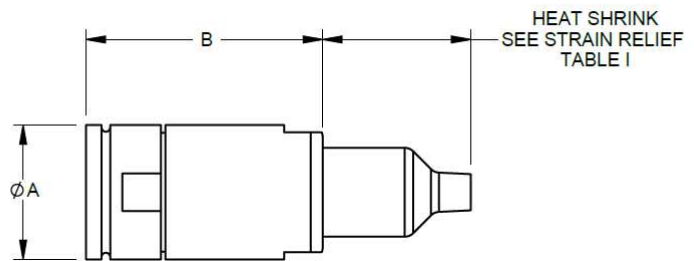
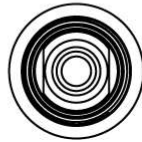
Maximum Panel Thickness: 0.125" (3.18mm)

NOMINAL DIMENSIONS: in (mm)						
SHELL SIZE	A	B	C	D	E	F
11	0.719 (18.3)	0.625 (15.9)	0.812 (20.6)	0.796 (20.2)	0.761 (19.3)	0.835 (21.2)
13	0.812 (20.6)	0.750 (19.1)	0.906 (23.0)	0.922 (23.4)	0.945 (24.0)	1.020 (25.9)
15	0.906 (23.0)	0.906 (23.0)	0.969 (24.6)	1.047 (26.6)	1.075 (27.3)	1.145 (29.1)
17	0.969 (24.6)	1.016 (25.8)	1.062 (27.0)	1.219 (31.0)	1.200 (30.5)	1.270 (32.3)
19	1.062 (27.0)	1.141 (29.0)	1.156 (29.4)	1.297 (32.9)	1.325 (33.7)	1.395 (35.4)
21	1.156 (29.4)	1.266 (32.2)	1.250 (31.8)	1.422 (36.1)	1.450 (36.8)	1.520 (38.6)
23	1.250 (31.8)	1.375 (34.9)	1.375 (34.9)	1.547 (39.3)	1.575 (40.0)	1.645 (41.8)
25	1.375 (34.9)	1.484 (37.7)	1.500 (38.1)	1.672 (42.5)	1.700 (43.2)	1.770 (45.0)

* Q38 Flange Mount Receptacles (RF) can be mounted externally or internally depending on the application. If a Q38Shell / Q38EShell Backshell is used, they must be Internally Mounted.

Q38Shell Straight Backshells with Heat Shrink & Heat Shrink with Band Clamp:

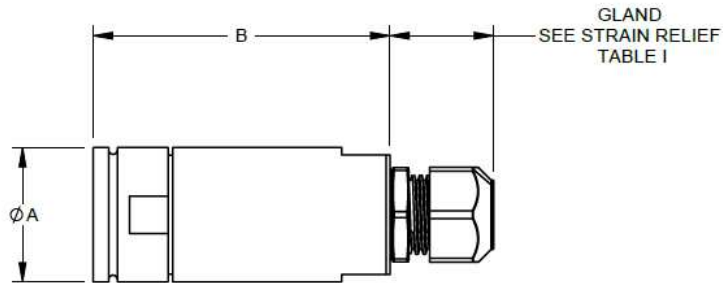
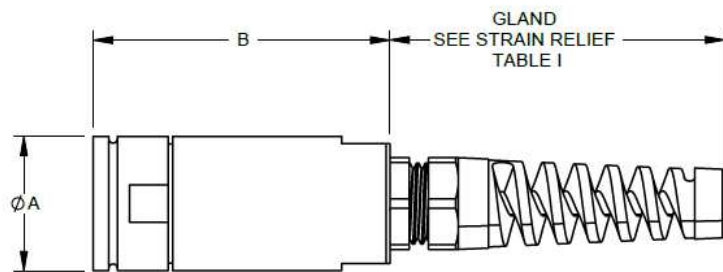
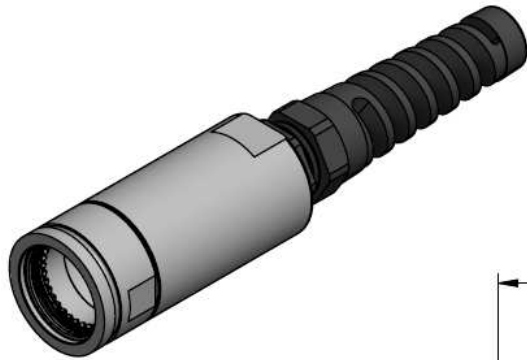
Q38SHELL-STX-XX-XXXX-HX



NOMINAL DIMENSIONS: in (mm)				
SHELL SIZE	A	B	MIN CABLE OD	MAX CABLE OD
11	0.915 (23.2)	2.455 (62.4)	0.142 (3.6)	0.453 (11.5)
13	1.040 (26.4)	2.455 (62.4)	0.142 (3.6)	0.453 (11.5)
15	1.163 (29.5)	2.455 (62.4)	0.142 (3.6)	0.492 (12.5)
17	1.283 (32.6)	2.455 (62.4)	0.142 (3.6)	0.492 (12.5)
19	1.393 (35.4)	2.455 (62.4)	0.142 (3.6)	0.689 (17.5)
21	1.519 (38.6)	2.705 (68.7)	0.142 (3.6)	0.689 (17.5)
23	1.645 (41.8)	2.705 (68.7)	0.142 (3.6)	0.689 (17.5)
25	1.767 (44.9)	2.705 (68.7)	0.142 (3.6)	0.689 (17.5)

Q38Shell Straight Backshells with Cable Glands (Standard Cable OD Range):

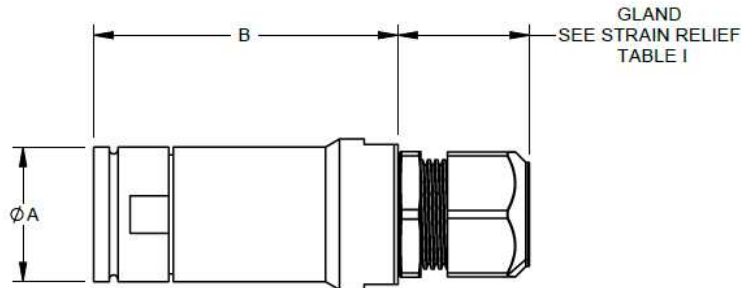
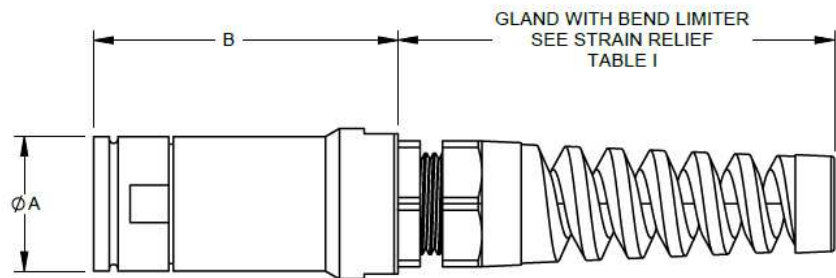
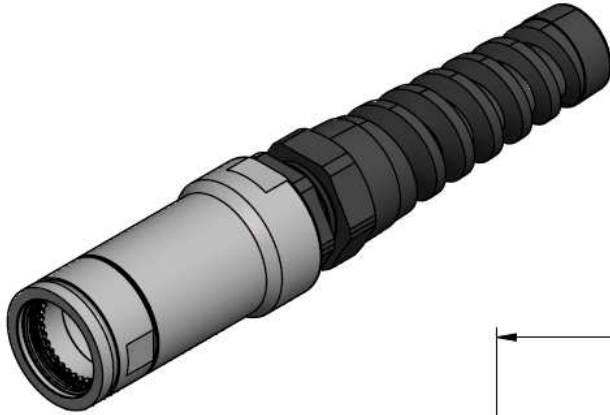
Q38SHELL-STX-XX-XXXX-GX



SHELL SIZE	NOMINAL DIMENSIONS: in (mm)			
	A	B	MIN CABLE OD	MAX CABLE OD
11	0.915 (23.2)	3.075 (78.1)	0.142 (3.6)	0.256 (6.5)
13	1.040 (26.4)	3.075 (78.1)	0.142 (3.6)	0.256 (6.5)
15	1.163 (29.5)	3.075 (78.1)	0.142 (3.6)	0.492 (12.5)
17	1.283 (32.6)	3.075 (78.1)	0.142 (3.6)	0.492 (12.5)
19	1.393 (35.4)	3.075 (78.1)	0.142 (3.6)	0.492 (12.5)
21	1.519 (38.6)	3.325 (84.5)	0.142 (3.6)	0.492 (12.5)
23	1.645 (41.8)	3.325 (84.5)	0.142 (3.6)	0.492 (12.5)
25	1.767 (44.9)	3.325 (84.5)	0.142 (3.6)	0.492 (12.5)

Q38Shell Straight Backshells with Cable Glands (Expanded Cable OD Range):

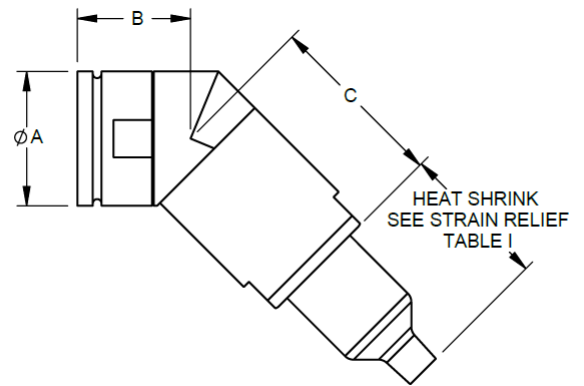
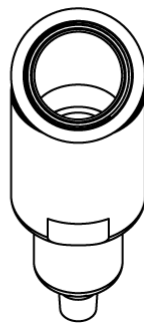
Q38SHELL-STX-XX-XXXX-GX



SHELL SIZE	NOMINAL DIMENSIONS: in (mm)			
	A	B	MIN CABLE OD	MAX CABLE OD
11	0.915 (23.2)	3.075 (78.1)	0.260 (6.6)	0.453 (11.5)
13	1.040 (26.4)	3.075 (78.1)	0.260 (6.6)	0.453 (11.5)
19	1.393 (35.4)	3.075 (78.1)	0.496 (12.6)	0.689 (17.5)
21	1.519 (38.6)	3.325 (84.5)	0.496 (12.6)	0.689 (17.5)
23	1.645 (41.8)	3.325 (84.5)	0.496 (12.6)	0.689 (17.5)
25	1.767 (44.9)	3.325 (84.5)	0.496 (12.6)	0.689 (17.5)

Q38Shell 45° Backshells with Heat Shrink & Heat Shrink with Band Clamp:

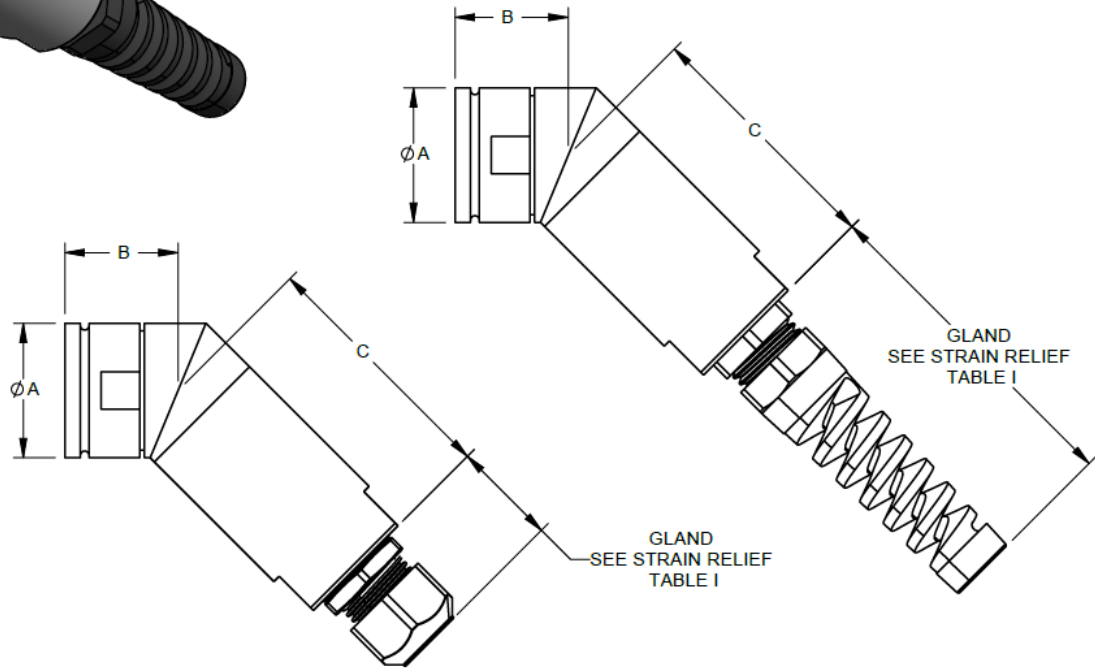
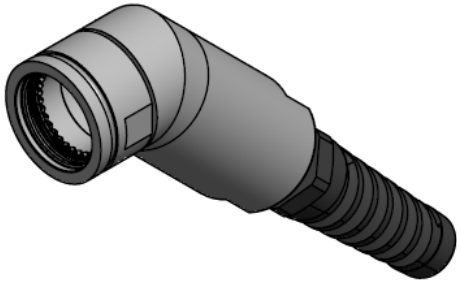
Q38SHELL-45X-XX-XXXX-HX



NOMINAL DIMENSIONS: in (mm)					
SHELL SIZE	A	B	C	MIN CABLE OD	MAX CABLE OD
11	0.915 (23.2)	1.200 (30.5)	1.880 (47.8)	0.142 (3.6)	0.335 (8.5)
13	1.040 (26.4)	1.200 (30.5)	1.880 (47.8)	0.142 (3.6)	0.335 (8.5)
15	1.163 (29.5)	1.200 (30.5)	1.880 (47.8)	0.142 (3.6)	0.374 (9.5)
17	1.283 (32.6)	1.200 (30.5)	1.880 (47.8)	0.142 (3.6)	0.374 (9.5)
19	1.393 (35.4)	1.200 (30.5)	1.880 (47.8)	0.142 (3.6)	0.453(11.5)
21	1.519 (38.6)	1.450 (36.8)	2.130 (54.1)	0.142 (3.6)	0.453 (11.5)
23	1.645 (41.8)	1.450 (36.8)	2.130 (54.1)	0.142 (3.6)	0.453 (11.5)
25	1.767 (44.9)	1.450 (36.8)	2.130 (54.1)	0.142 (3.6)	0.453 (11.5)

Q38Shell 45° Backshells with Cable Glands (Standard Cable OD Range):

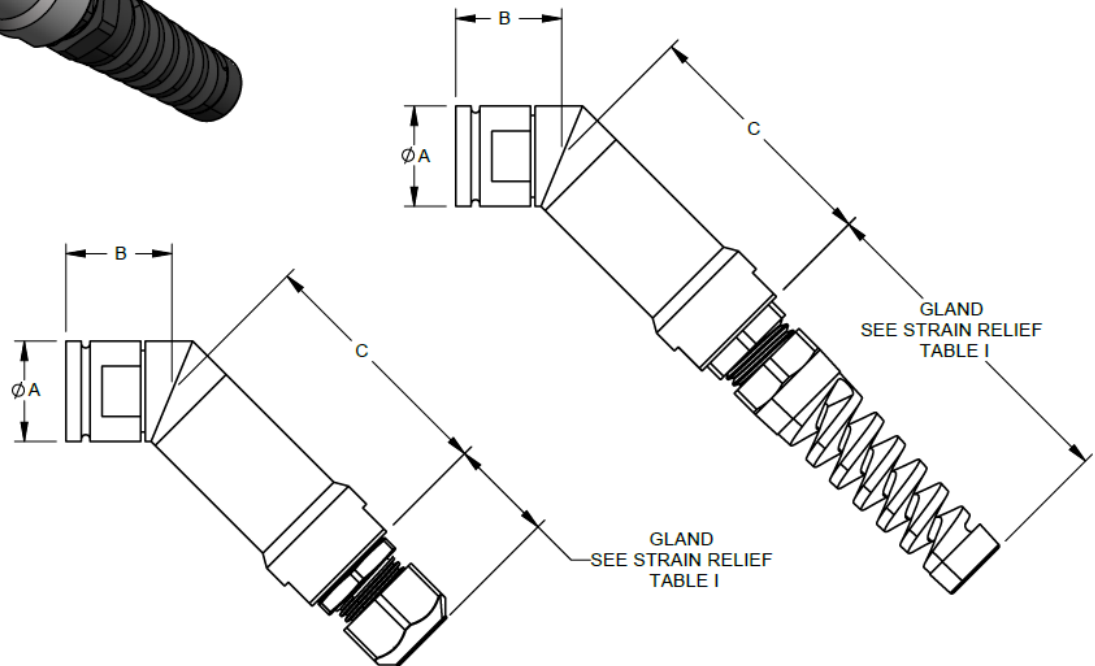
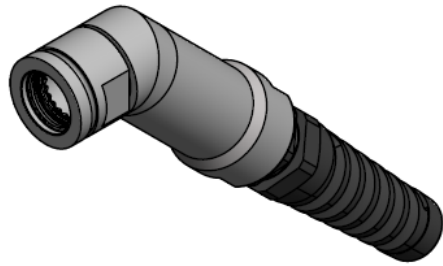
Q38SHELL-45X-XX-XXXX-GX



NOMINAL DIMENSIONS: in (mm)					
SHELL SIZE	A	B	C	MIN CABLE OD	MAX CABLE OD
11	0.915 (23.2)	1.200 (30.5)	2.500 (63.5)	0.142 (3.6)	0.256 (6.5)
13	1.040 (26.4)	1.200 (30.5)	2.500 (63.5)	0.142 (3.6)	0.256 (6.5)
15	1.163 (29.5)	1.200 (30.5)	2.500 (63.5)	0.142 (3.6)	0.374 (9.5)
17	1.283 (32.6)	1.200 (30.5)	2.500 (63.5)	0.142 (3.6)	0.374 (9.5)
19	1.393 (35.4)	1.200 (30.5)	2.500 (63.5)	0.142 (3.6)	0.453 (11.5)
21	1.519 (38.6)	1.450 (36.8)	2.750 (69.9)	0.142 (3.6)	0.453 (11.5)
23	1.645 (41.8)	1.450 (36.8)	2.750 (69.9)	0.142 (3.6)	0.453 (11.5)
25	1.767 (44.9)	1.450 (36.8)	2.750 (69.9)	0.142 (3.6)	0.453 (11.5)

Q38Shell 45° Backshells with Cable Glands (Expanded Cable OD Range):

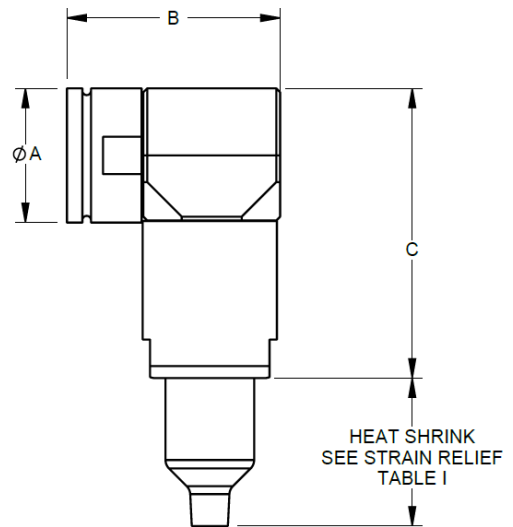
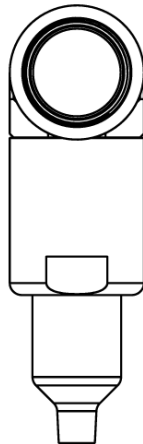
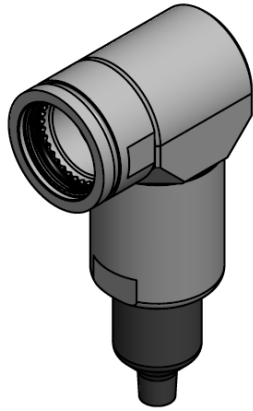
Q38SHELL-45X-XX-XXXX-GX



NOMINAL DIMENSIONS: in (mm)					
SHELL SIZE	A	B	C	MIN CABLE OD	MAX CABLE OD
11	0.915 (23.2)	1.200 (30.5)	2.500 (63.5)	0.260 (6.6)	0.335 (8.5)
13	1.040 (26.4)	1.200 (30.5)	2.500 (63.5)	0.260 (6.6)	0.335 (8.5)

Q38Shell 90° Backshells with Heat Shrink & Heat Shrink with Band Clamp:

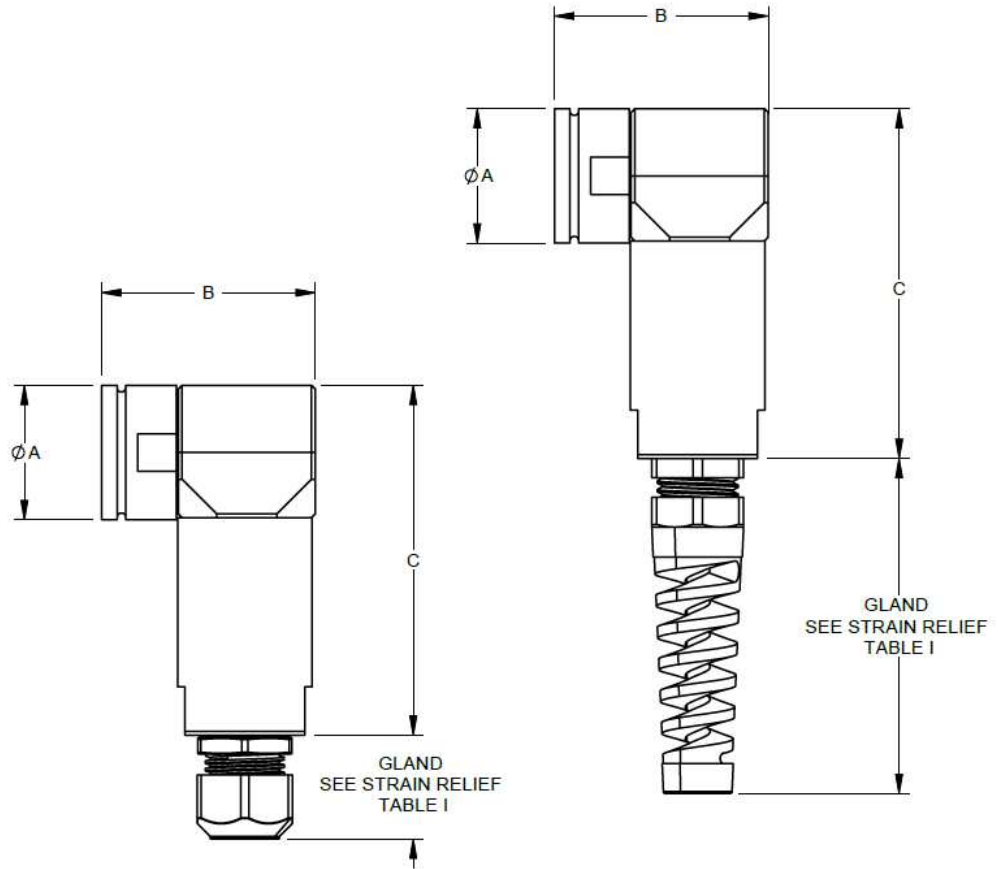
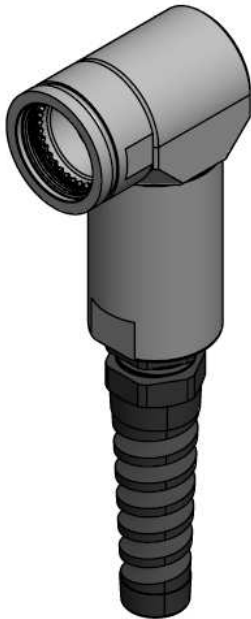
Q38SHELL-90X-XX-XXXX-HX



NOMINAL DIMENSIONS: in (mm)					
SHELL SIZE	A	B	C	MIN CABLE OD	MAX CABLE OD
11	0.915 (23.2)	2.250 (57.2)	2.700 (68.6)	0.142 (3.6)	0.335 (8.5)
13	1.040 (26.4)	2.250 (57.2)	2.875 (73.0)	0.142 (3.6)	0.335 (8.5)
15	1.163 (29.5)	2.250 (57.2)	2.875 (73.0)	0.142 (3.6)	0.374 (9.5)
17	1.283 (32.6)	2.250 (57.2)	2.875 (73.0)	0.142 (3.6)	0.374 (9.5)
19	1.393 (35.4)	2.250 (57.2)	3.000 (76.2)	0.142 (3.6)	0.453 (11.5)
21	1.519 (38.6)	2.500 (63.5)	3.125 (79.4)	0.142 (3.6)	0.453 (11.5)
23	1.645 (41.8)	2.500 (63.5)	3.188 (81.0)	0.142 (3.6)	0.453 (11.5)
25	1.767 (44.9)	2.500 (63.5)	3.250 (82.6)	0.142 (3.6)	0.453 (11.5)

Q38Shell 90° Backshells with Cable Glands (Standard Cable OD Range):

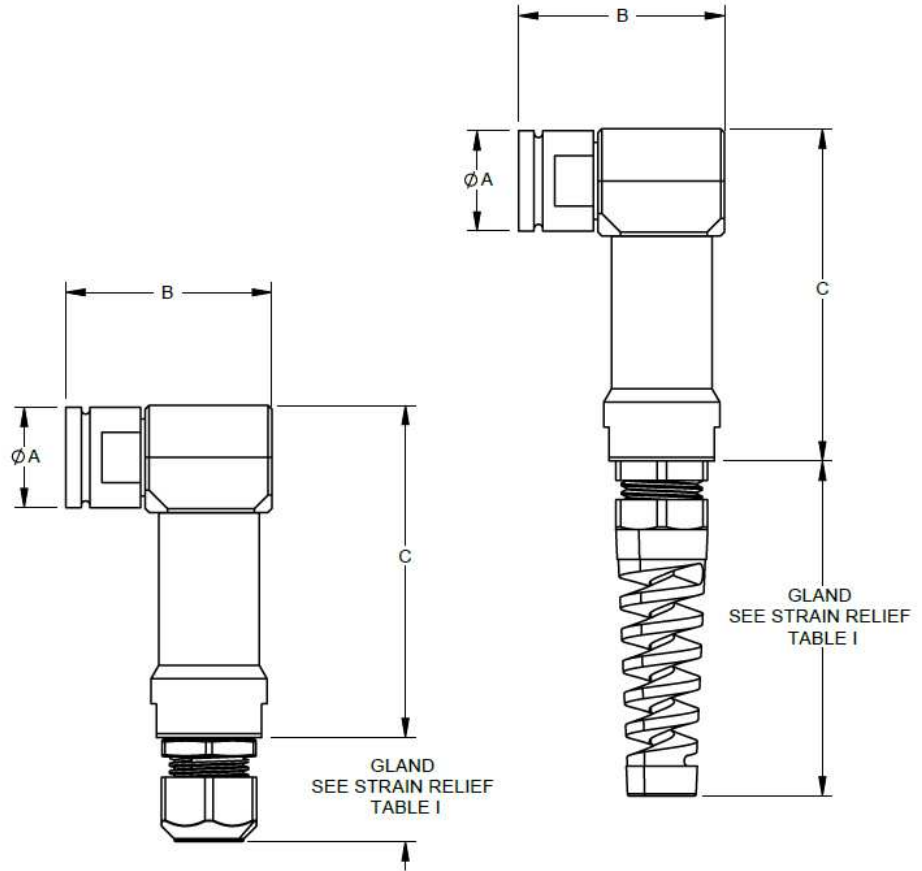
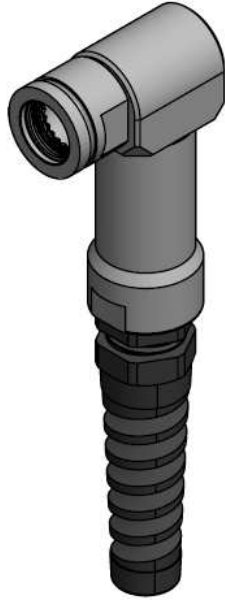
Q38SHELL-90X-XX-XXXX-GX



NOMINAL DIMENSIONS: in (mm)					
SHELL SIZE	A	B	C	MIN CABLE OD	MAX CABLE OD
11	0.915 (23.2)	2.250 (57.2)	2.762 (70.2)	0.142 (3.6)	0.256 (6.5)
13	1.040 (26.4)	2.250 (57.2)	2.937 (74.6)	0.142 (3.6)	0.256 (6.5)
15	1.163 (29.5)	2.250 (57.2)	2.937 (74.6)	0.142 (3.6)	0.374 (9.5)
17	1.283 (32.6)	2.250 (57.2)	2.937 (74.6)	0.142 (3.6)	0.374 (9.5)
19	1.393 (35.4)	2.250 (57.2)	3.062 (77.8)	0.142 (3.6)	0.453 (11.5)
21	1.519 (38.6)	2.500 (63.5)	3.187 (80.9)	0.142 (3.6)	0.453 (11.5)
23	1.645 (41.8)	2.500 (63.5)	3.250 (82.6)	0.142 (3.6)	0.453 (11.5)
25	1.767 (44.9)	2.500 (63.5)	3.312 (84.1)	0.142 (3.6)	0.453 (11.5)

Q38Shell 90° Backshells with Cable Glands (Expanded Cable OD Range):

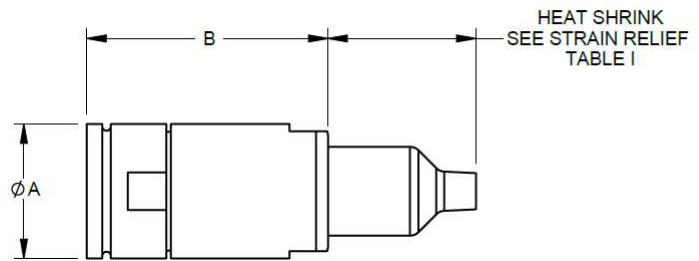
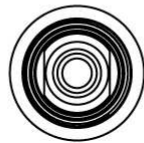
Q38SHELL-90X-XX-XXXX-GX



NOMINAL DIMENSIONS: in (mm)					
SHELL SIZE	A	B	C	MIN CABLE OD	MAX CABLE OD
11	0.915 (23.2)	1.200 (30.5)	2.500 (63.5)	0.260 (6.6)	0.335 (8.5)
13	1.040 (26.4)	1.200 (30.5)	2.500 (63.5)	0.260 (6.6)	0.335 (8.5)

Q38EShell Straight Backshells with Heat Shrink & Heat Shrink with Band Clamp:

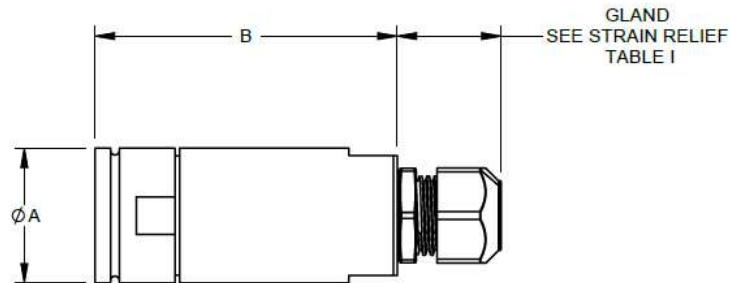
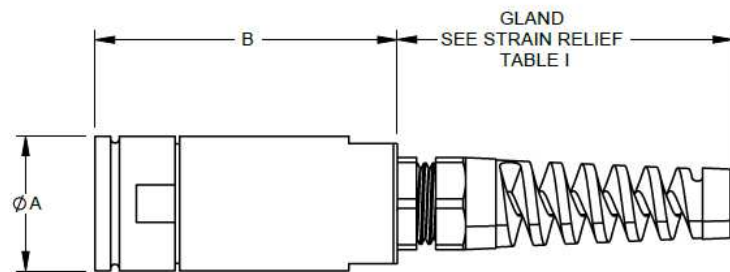
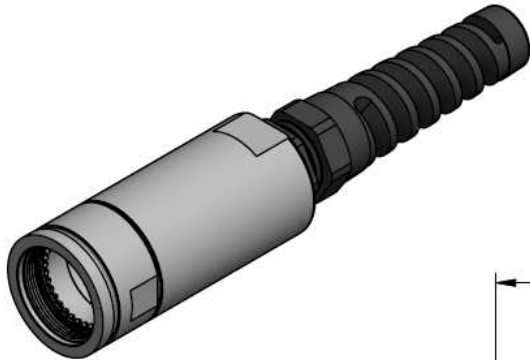
Q38ESHELL-STX-XX-XXXX-HX



NOMINAL DIMENSIONS: in (mm)				
SHELL SIZE	A	B	MIN CABLE OD	MAX CABLE OD
11	0.915 (23.2)	2.505 (63.6)	0.142 (3.6)	0.453 (11.5)
13	1.040 (26.4)	2.505 (63.6)	0.142 (3.6)	0.453 (11.5)
23	1.645 (41.8)	2.755 (70.0)	0.142 (3.6)	0.689 (17.5)

Q38EShell Straight Backshells with Cable Glands (Standard Cable OD Range):

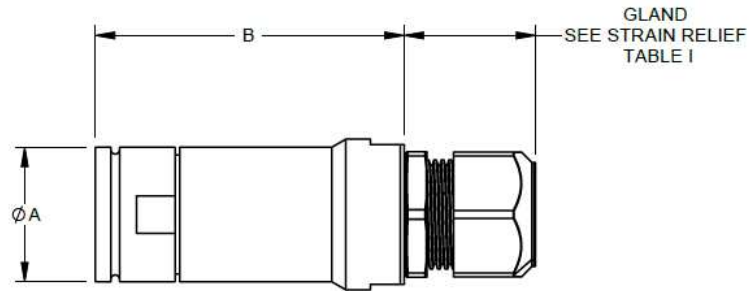
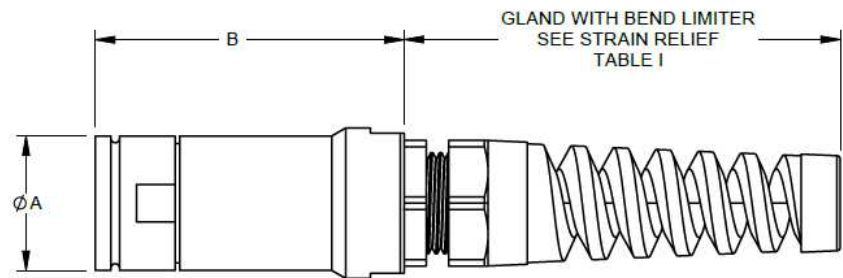
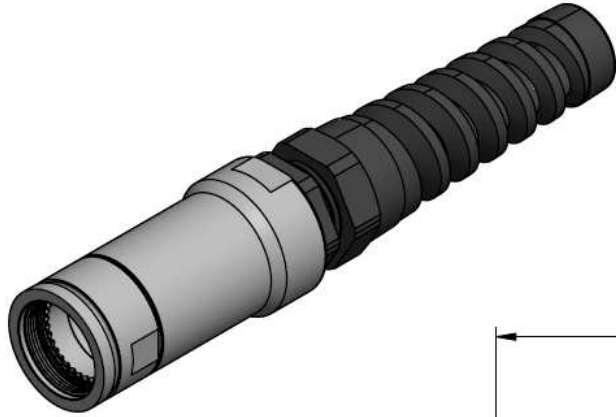
Q38ESHELL-STX-XX-XXXX-GX



NOMINAL DIMENSIONS: in (mm)				
SHELL SIZE	A	B	MIN CABLE OD	MAX CABLE OD
11	0.915 (23.2)	3.125 (79.4)	0.142 (3.6)	0.256 (6.5)
13	1.040 (26.4)	3.125 (79.4)	0.142 (3.6)	0.256 (6.5)
23	1.645 (41.8)	3.375 (85.7)	0.142 (3.6)	0.492 (12.5)

Q38EShell Straight Backshells with Cable Glands (Expanded Cable OD Range):

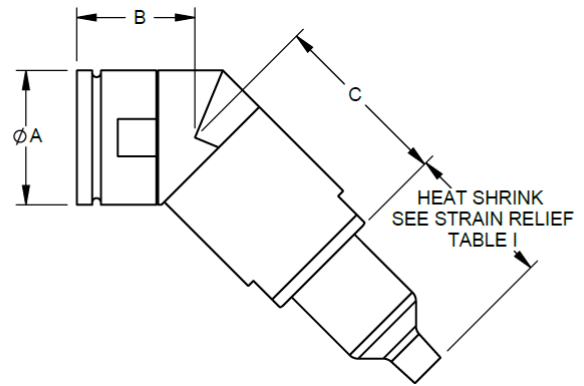
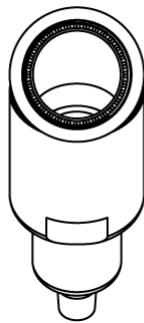
Q38ESHELL-STX-XX-XXXX-GX



NOMINAL DIMENSIONS: in (mm)				
SHELL SIZE	A	B	MIN CABLE OD	MAX CABLE OD
11	0.915 (23.2)	3.125 (79.4)	0.260 (6.6)	0.453 (11.5)
13	1.040 (26.4)	3.125 (79.4)	0.260 (6.6)	0.453 (11.5)
23	1.645 (41.8)	3.375 (85.7)	0.496 (12.6)	0.689 (17.5)

Q38EShell 45° Backshells with Heat Shrink & Heat Shrink with Band Clamp:

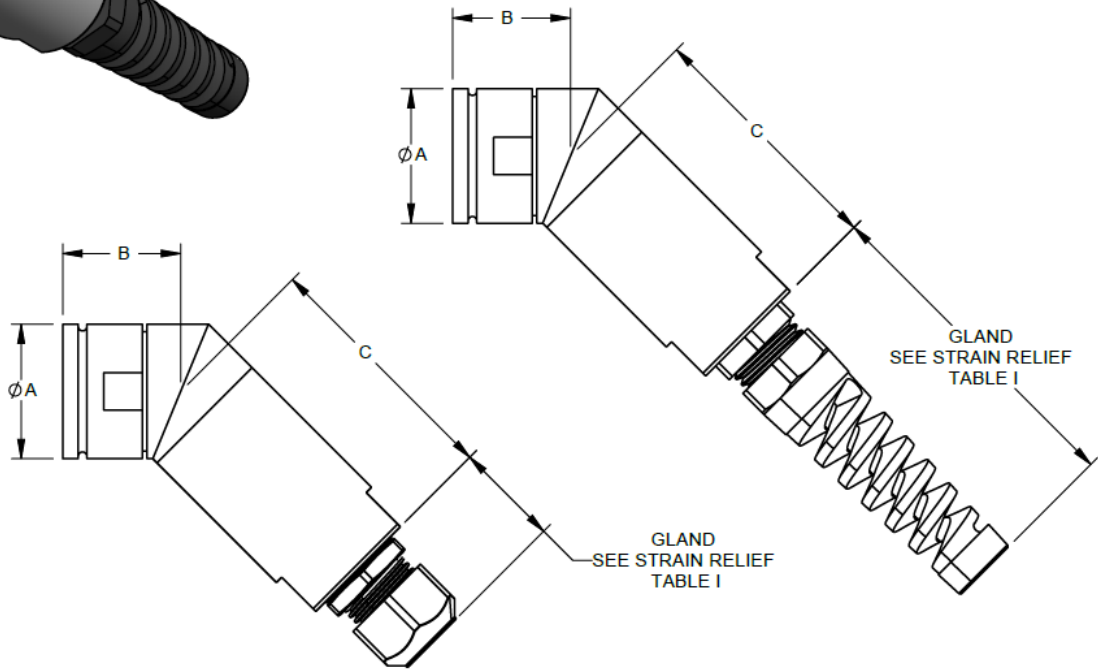
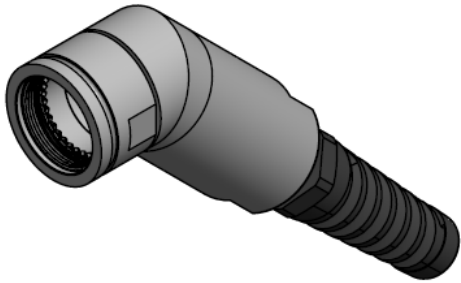
Q38ESHELL-45X-XX-XXXX-HX



NOMINAL DIMENSIONS: in (mm)					
SHELL SIZE	A	B	C	MIN CABLE OD	MAX CABLE OD
11	0.915 (23.2)	1.250 (31.8)	1.880 (47.8)	0.142 (3.6)	0.335 (8.5)
13	1.040 (26.4)	1.250 (31.8)	1.880 (47.8)	0.142 (3.6)	0.335 (8.5)
23	1.645 (41.8)	1.500 (38.1)	2.130 (54.1)	0.142 (3.6)	0.453 (11.5)

Q38EShell 45° Backshells with Cable Glands (Standard Cable OD Range):

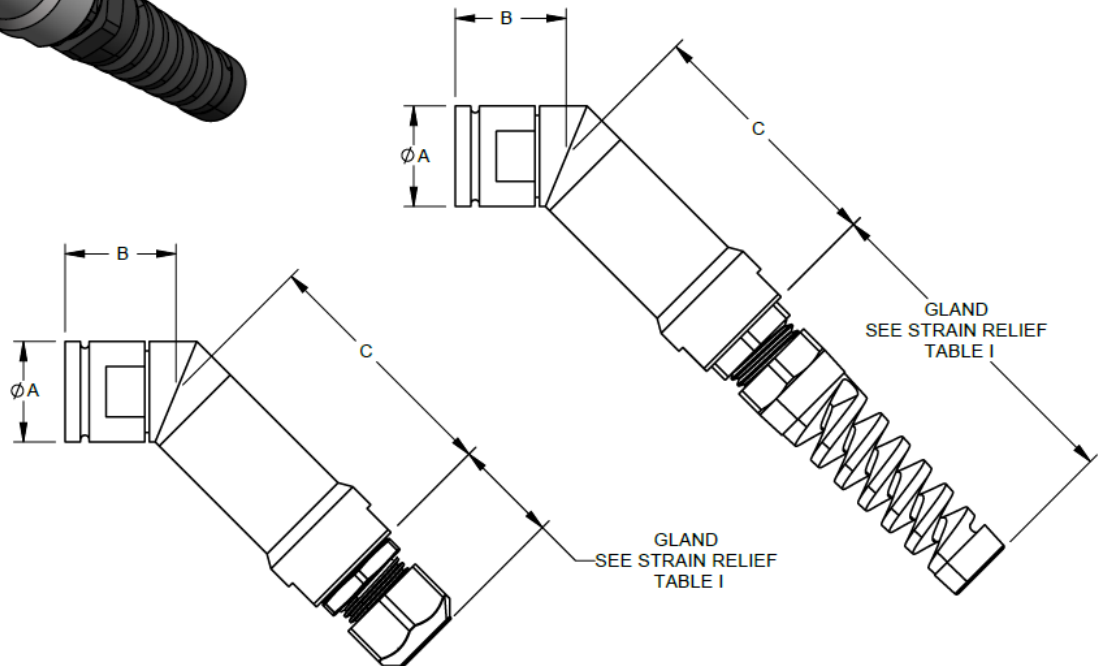
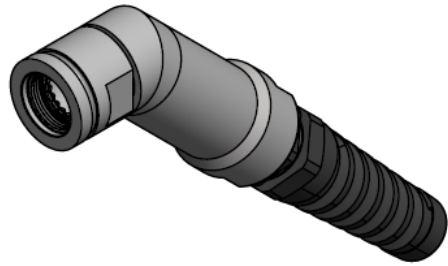
Q38ESHELL-45X-XX-XXXX-GX



NOMINAL DIMENSIONS: in (mm)					
SHELL SIZE	A	B	C	MIN CABLE OD	MAX CABLE OD
11	0.915 (23.2)	1.250 (31.8)	2.500 (63.5)	0.142 (3.6)	0.256 (6.5)
13	1.040 (26.4)	1.250 (31.8)	2.500 (63.5)	0.142 (3.6)	0.256 (6.5)
23	1.645 (41.8)	1.500 (38.1)	2.750 (69.9)	0.142 (3.6)	0.453 (11.5)

Q38EShell 45° Backshells with Cable Glands (Expanded Cable OD Range):

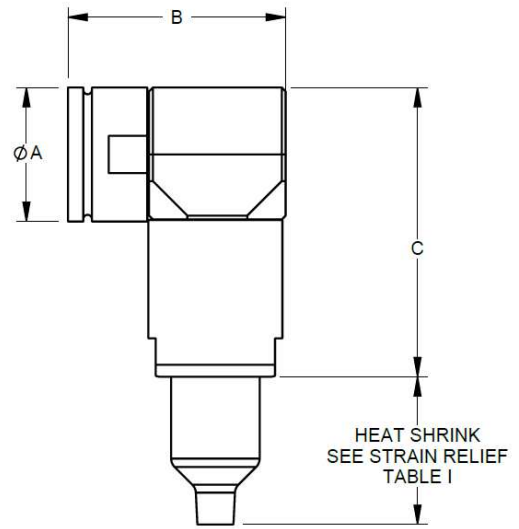
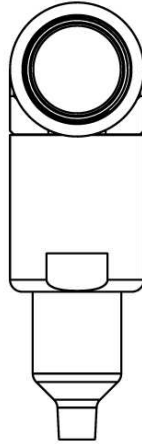
Q38ESHELL-45X-XX-XXXX-GX



NOMINAL DIMENSIONS: in (mm)					
SHELL SIZE	A	B	C	MIN CABLE OD	MAX CABLE OD
11	0.915 (23.2)	1.250 (31.8)	2.500 (63.5)	0.260 (6.6)	0.335 (8.5)
13	1.040 (26.4)	1.250 (31.8)	2.500 (63.5)	0.260 (6.6)	0.335 (8.5)

Q38EBSHELL 90° Backshells with Heat Shrink & Heat Shrink with Band Clamp:

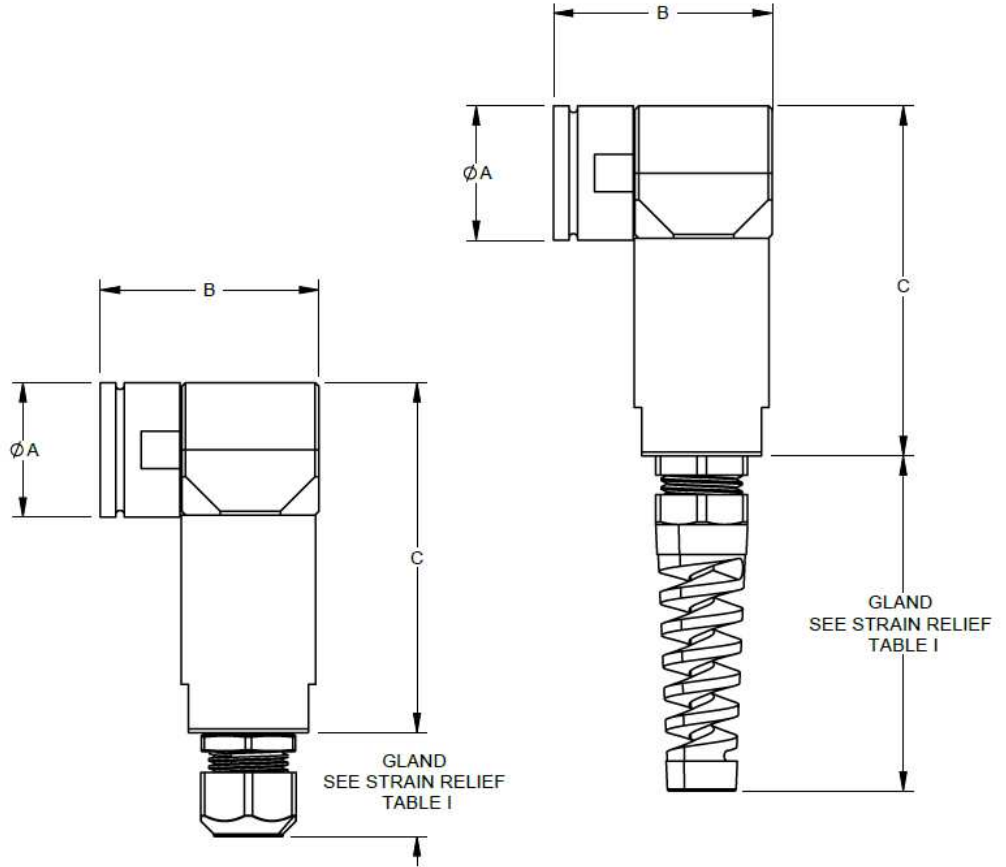
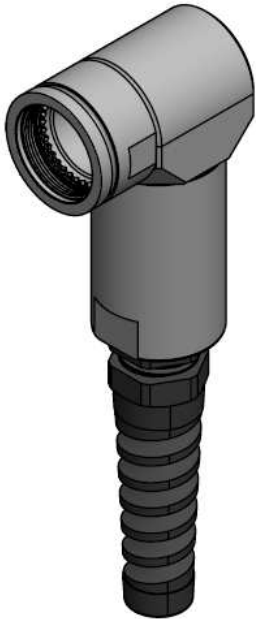
Q38ESHELL-90X-XX-XXXX-HX



NOMINAL DIMENSIONS: in (mm)					
SHELL SIZE	A	B	C	MIN CABLE OD	MAX CABLE OD
11	0.915 (23.2)	2.300 (58.4)	2.700 (68.6)	0.142 (3.6)	0.335 (8.5)
13	1.040 (26.4)	2.300 (58.4)	2.875 (73.0)	0.142 (3.6)	0.335 (8.5)
23	1.645 (41.8)	2.550 (64.8)	3.188 (81.0)	0.142 (3.6)	0.453 (11.5)

Q38EShell 90° Backshells with Cable Glands (Standard Cable OD Range):

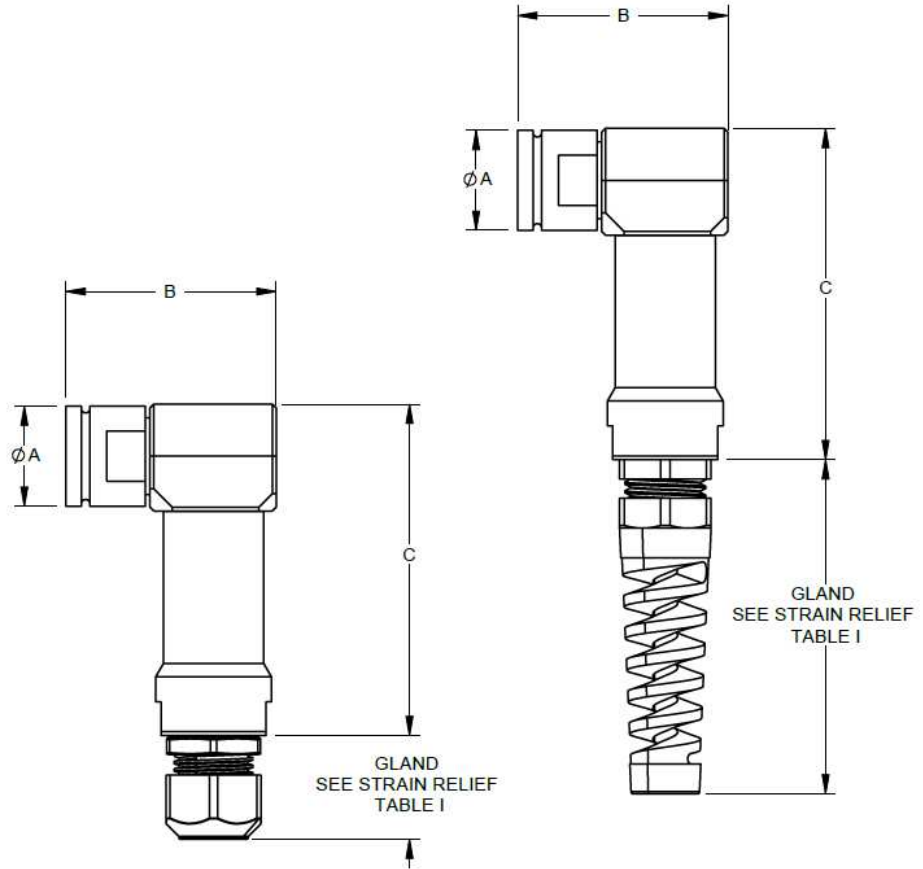
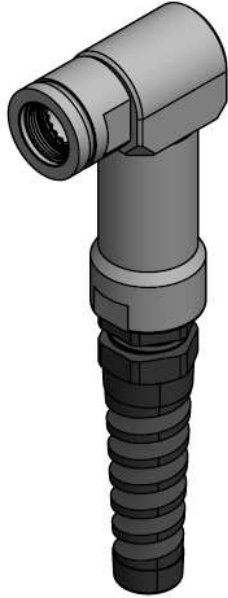
Q38ESHELL-90X-XX-XXXX-GX



NOMINAL DIMENSIONS: in (mm)					
SHELL SIZE	A	B	C	MIN CABLE OD	MAX CABLE OD
11	0.915 (23.2)	2.300 (58.4)	2.762 (70.2)	0.142 (3.6)	0.256 (6.5)
13	1.040 (26.4)	2.300 (58.4)	2.937 (74.6)	0.142 (3.6)	0.256 (6.5)
23	1.645 (41.8)	2.550 (64.8)	3.250 (82.6)	0.142 (3.6)	0.453 (11.5)

Q38EBSHELL 90° Backshells with Cable Glands (Expanded Cable OD Range):

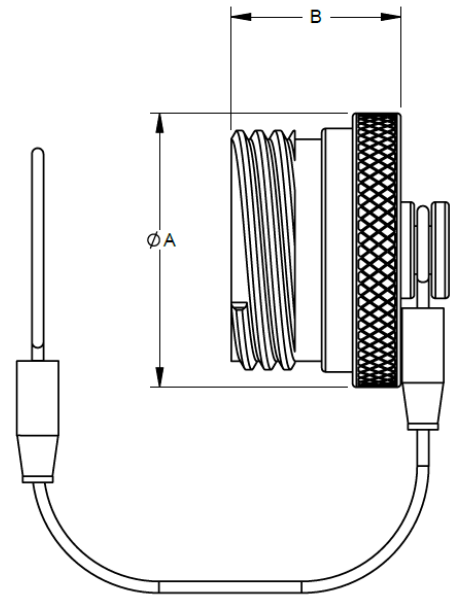
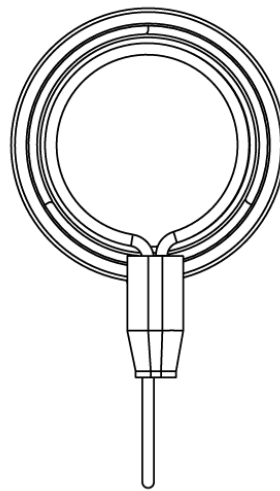
Q38ESHELL-90X-XX-XXXX-GX



NOMINAL DIMENSIONS: in (mm)					
SHELL SIZE	A	B	C	MIN CABLE OD	MAX CABLE OD
11	0.915 (23.2)	2.300 (58.4)	2.762 (70.2)	0.260 (6.6)	0.335 (8.5)
13	1.040 (26.4)	2.300 (58.4)	2.937 (74.6)	0.260 (6.6)	0.335 (8.5)

Q38DC Dustcovers, Plugs, D38999/32 Style, Crimp Attachment:

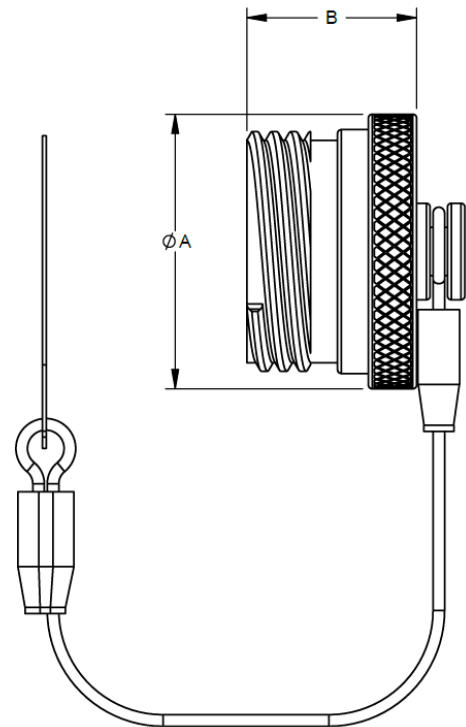
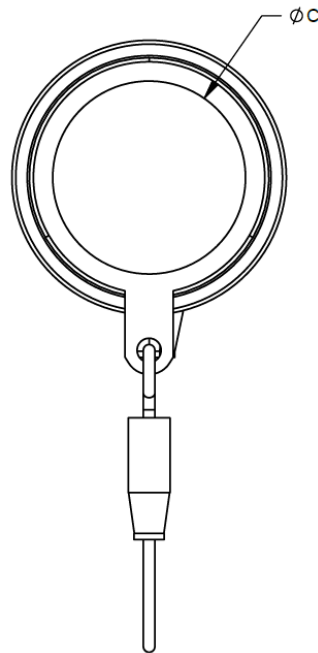
Q38DC-PGX-XX



NOMINAL DIMENSIONS: in (mm)		
SHELL SIZE	A	B
11	0.879 (22.3)	1.130 (28.7)
13	1.050 (26.7)	1.130 (28.7)
15	1.179 (29.9)	1.130 (28.7)
17	1.317 (33.5)	1.130 (28.7)
19	1.423 (36.1)	1.130 (28.7)
21	1.549 (39.3)	1.130 (28.7)
23	1.667 (42.3)	1.130 (28.7)
25	1.793 (45.5)	1.130 (28.7)

Q38DC Dustcovers, Plugs, D38999/33 Style, Ring Attachment:

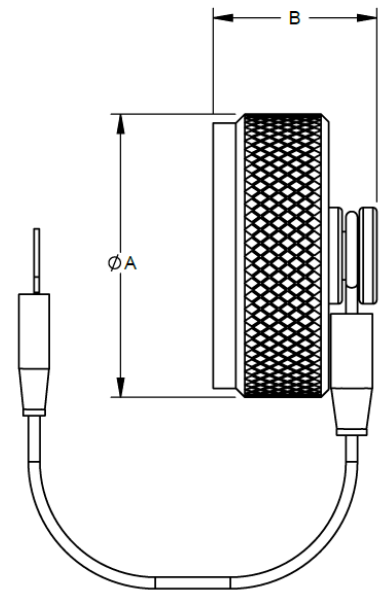
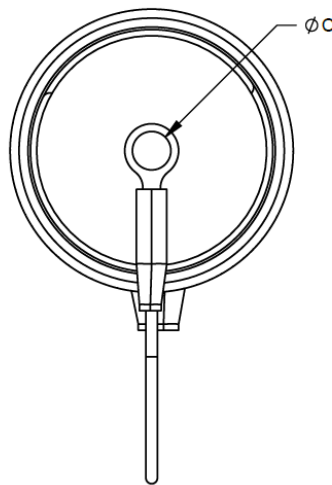
Q38DC-PRX-XX



NOMINAL DIMENSIONS: in (mm)			
SHELL SIZE	A	B	C
11	0.879 (22.3)	1.130 (28.7)	0.728 (18.5)
13	1.050 (26.7)	1.130 (28.7)	0.807 (20.5)
15	1.179 (29.9)	1.130 (28.7)	0.925 (23.5)
17	1.317 (33.5)	1.130 (28.7)	1.043 (26.5)
19	1.423 (36.1)	1.130 (28.7)	1.161 (29.5)
21	1.549 (39.3)	1.130 (28.7)	1.280 (32.5)
23	1.667 (42.3)	1.130 (28.7)	1.358 (34.5)
25	1.793 (45.5)	1.130 (28.7)	1.555 (39.5)

Q38DC Dustcovers, Receptacles, Flange Mount, D38999/33 Style, Eyelet Attachment:

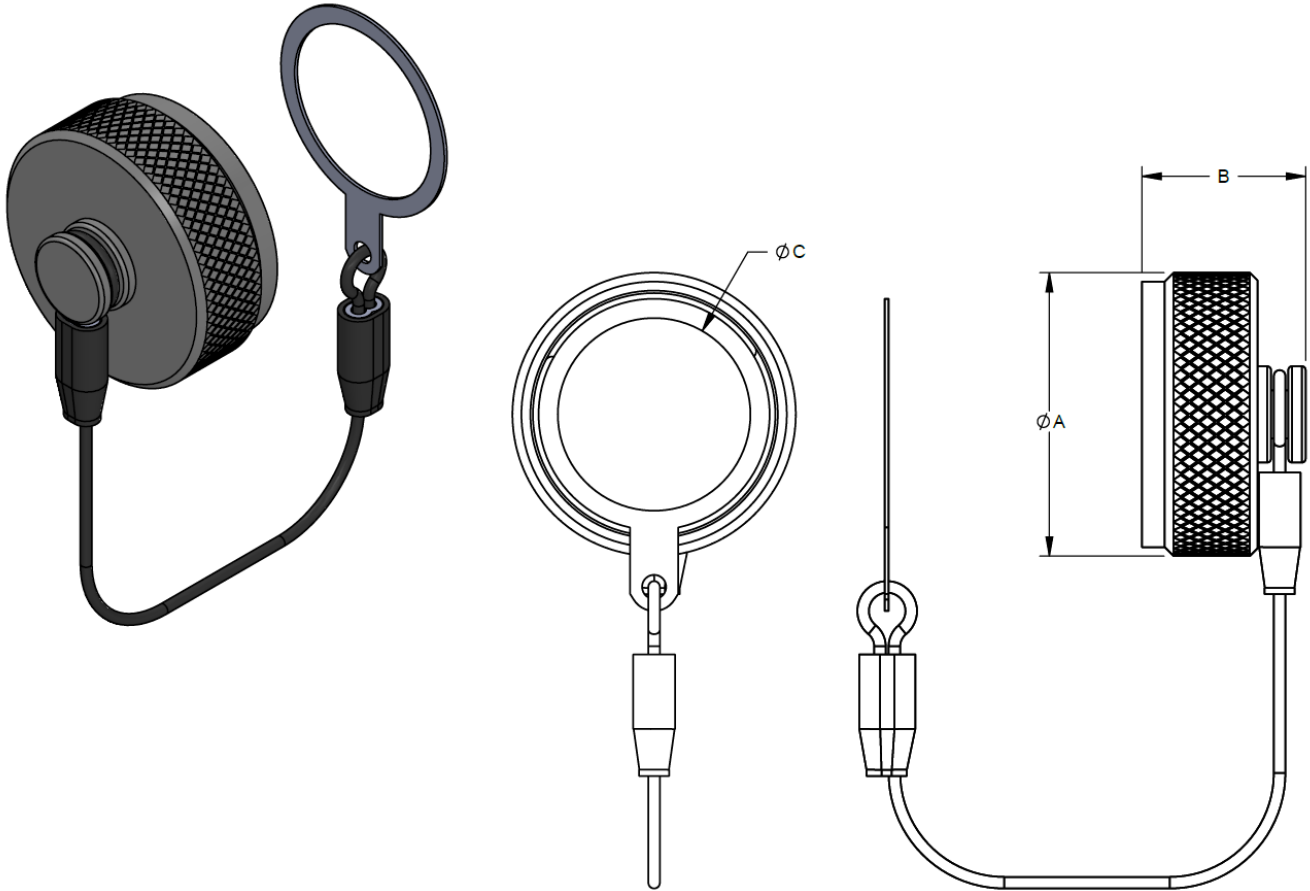
Q38DC-RFX-XX



NOMINAL DIMENSIONS: in (mm)			
SHELL SIZE	A	B	C
11	0.945 (24.0)	0.850 (21.6)	0.186 (4.7)
13	1.118 (28.4)	0.850 (21.6)	0.186 (4.7)
15	1.241 (31.5)	0.850 (21.6)	0.186 (4.7)
17	1.361 (34.6)	0.850 (21.6)	0.186 (4.7)
19	1.471 (37.4)	0.850 (21.6)	0.186 (4.7)
21	1.597 (40.6)	0.850 (21.6)	0.186 (4.7)
23	1.723 (43.8)	0.850 (21.6)	0.186 (4.7)
25	1.845 (46.9)	0.850 (21.6)	0.186 (4.7)

Q38DC Dustcovers, Receptacles, Jam Nut, D38999/33 Style, Ring Attachment:

Q38DC-RJX-XX



NOMINAL DIMENSIONS: in (mm)			
SHELL SIZE	A	B	C
11	0.945 (24.0)	0.850 (21.6)	0.866 (22.0)
13	1.118 (28.4)	0.850 (21.6)	0.988 (25.1)
15	1.241 (31.5)	0.850 (21.6)	1.177 (29.9)
17	1.361 (34.6)	0.850 (21.6)	1.260 (32.0)
19	1.471 (37.4)	0.850 (21.6)	1.429 (36.3)
21	1.597 (40.6)	0.850 (21.6)	1.508 (38.3)
23	1.723 (43.8)	0.850 (21.6)	1.677 (42.6)
25	1.845 (46.9)	0.850 (21.6)	1.752 (44.5)

Table I – Q38Shell Strain Relief Options:

Shell Size 11 & 13						
Cable / Conduit Outside Diameter (OD) in (mm)	Heat Shrink Cable Exit		Gland Cable Exit		Gland with Bend Limiter Cable Exit	
	OD Identifier	Length in (mm)	OD Identifier	Length in (mm)	OD Identifier	Length in (mm)
0.142 - 0.177 (3.6 - 4.5)	045	1.50 (38.1)	045	0.843 (21.4)	045	2.122 (53.9)
0.181 - 0.217 (4.6 - 5.5)	055	1.50 (38.1)	055	0.843 (21.4)	055	2.122 (53.9)
0.220 - 0.256 (5.6 - 6.5)	065	1.50 (38.1)	065	0.843 (21.4)	065	2.122 (53.9)
0.260 - 0.295 (6.6 - 7.5)	075	1.50 (38.1)	075	1.091 (27.7)	075	3.480 (88.4)
0.299 - 0.335 (7.6 - 8.5)	085	1.50 (38.1)	085	1.091 (27.7)	085	3.480 (88.4)
0.339 - 0.374 (8.6 - 9.5)	095	1.50 (38.1)	095	1.091 (27.7)	095	3.480 (88.4)
0.378 - 0.413 (9.6 - 10.5)	105	1.50 (38.1)	105	1.091 (27.7)	105	3.480 (88.4)
0.417 - 0.453 (10.6 - 11.5)	115	1.50 (38.1)	115	1.091 (27.7)	115	3.480 (88.4)

* Consult QPC if Cable OD Exceeds 8.5mm for 45 or 90 Degree Backshells. Feasibility will depend on cable construction / flexibility.

Shell Sizes 15 & 17						
Cable / Conduit Outside Diameter (OD) in (mm)	Heat Shrink Cable Exit		Gland Cable Exit		Gland with Bend Limiter Cable Exit	
	OD Identifier	Length in (mm)	OD Identifier	Length in (mm)	OD Identifier	Length in (mm)
0.142 - 0.177 (3.6 - 4.5)	045	1.50 (38.1)	045	1.091 (27.7)	045	3.480 (88.4)
0.181 - 0.217 (4.6 - 5.5)	055	1.50 (38.1)	055	1.091 (27.7)	055	3.480 (88.4)
0.220 - 0.256 (5.6 - 6.5)	065	1.50 (38.1)	065	1.091 (27.7)	065	3.480 (88.4)
0.260 - 0.295 (6.6 - 7.5)	075	1.50 (38.1)	075	1.240 (31.5)	075	3.480 (88.4)
0.299 - 0.335 (7.6 - 8.5)	085	1.50 (38.1)	085	1.240 (31.5)	085	3.480 (88.4)
0.339 - 0.374 (8.6 - 9.5)	095	1.50 (38.1)	095	1.240 (31.5)	095	3.480 (88.4)
0.378 - 0.413 (9.6 - 10.5)	105	1.50 (38.1)	105	1.240 (31.5)	105	3.480 (88.4)
0.417 - 0.453 (10.6 - 11.5)	115	1.50 (38.1)	115	1.240 (31.5)	115	3.480 (88.4)
0.457 - 0.492 (11.6 - 12.5)	125	1.50 (38.1)	125	1.240 (31.5)	125	3.480 (88.4)

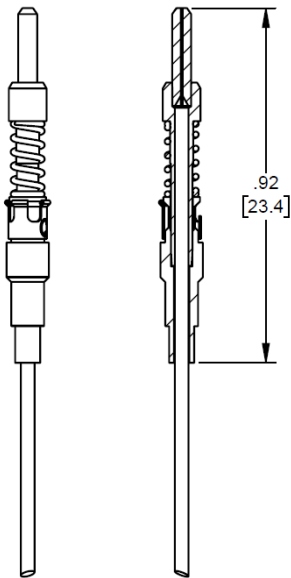
* Consult QPC if Cable OD Exceeds 9.5mm for 45 or 90 Degree Backshells. Feasibility will depend on cable construction / flexibility.

Table I – Q38Shell Strain Relief Options:

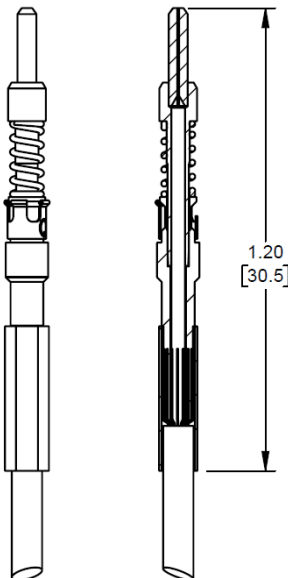
Shell Size 19, 21, 23, & 25						
Cable / Conduit Outside Diameter (OD) in (mm)	Heat Shrink Cable Exit		Gland Cable Exit		Gland with Bend Limiter Cable Exit	
	OD Identifier	Length in (mm)	OD Identifier	Length in (mm)	OD Identifier	Length in (mm)
0.142 - 0.177 (3.6 - 4.5)	045	1.50 (38.1)	045	1.091 (27.7)	045	3.480 (88.4)
0.181 - 0.217 (4.6 - 5.5)	055	1.50 (38.1)	055	1.091 (27.7)	055	3.480 (88.4)
0.220 - 0.256 (5.6 - 6.5)	065	1.50 (38.1)	065	1.091 (27.7)	065	3.480 (88.4)
0.260 - 0.295 (6.6 - 7.5)	075	1.50 (38.1)	075	1.240 (31.5)	075	3.480 (88.4)
0.299 - 0.335 (7.6 - 8.5)	085	1.50 (38.1)	085	1.240 (31.5)	085	3.480 (88.4)
0.339 - 0.374 (8.6 - 9.5)	095	1.50 (38.1)	095	1.240 (31.5)	095	3.480 (88.4)
0.378 - 0.413 (9.6 - 10.5)	105	1.50 (38.1)	105	1.240 (31.5)	105	3.480 (88.4)
0.417 - 0.453 (10.6 - 11.5)	115	1.50 (38.1)	115	1.240 (31.5)	115	3.480 (88.4)
0.457 - 0.492 (11.6 - 12.5)	125	1.50 (38.1)	125	1.240 (31.5)	125	3.480 (88.4)
0.496 - 0.531 (12.6 - 13.5)	135	1.50 (38.1)	135	1.380 (35.1)	135	4.510 (114.6)
0.535 - 0.571 (13.6 - 14.5)	-	-	145	1.380 (35.1)	145	4.510 (114.6)
0.575 - 0.610 (14.6 - 15.5)	-	-	155	1.380 (35.1)	155	4.510 (114.6)
0.614 - 0.689 (15.6 - 17.5)	-	-	175	1.380 (35.1)	175	4.510 (114.6)

* Consult QPC if Cable OD Exceeds 11.5mm for 45 or 90 Degree Backshells. Feasibility will depend on cable construction / flexibility.

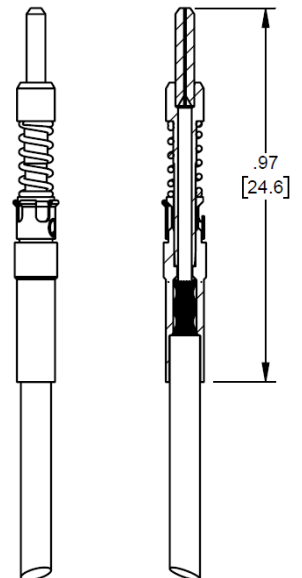
Q38HD High Density Termini:



Q38HD-TRM
(No Crimp, 900µm Fiber)



Q38HD-TRM-CM & Q38HD-CMP-2MM
(With Crimp, 2mm Cable)



Q38HD-TRM-E2
(Epoxy Cup, 2mm Cable)

PART NUMBER	DESCRIPTION
Q38HD-TRM	Q38HD Termini, Pin, 1.25mm Ferrule OD, 125.5µm, Singlemode / Multimode, 900µm Fiber
Q38HD-TRM-CM	Q38HD Termini, Pin, 1.25mm Ferrule OD, 125.5µm, Singlemode / Multimode, with 2mm Crimp
Q38HD-TRM-E2	Q38HD Termini, Pin, 1.25mm Ferrule OD, 125.5µm, Singlemode / Multimode, 2mm Epoxy Cup
Q38HD-CMP-2MM	Q38HD Termini Crimp Sleeve, 2.0mm, Stainless Steel
Q38HD-TRM-BLK	Q38HD Termini, Dummy

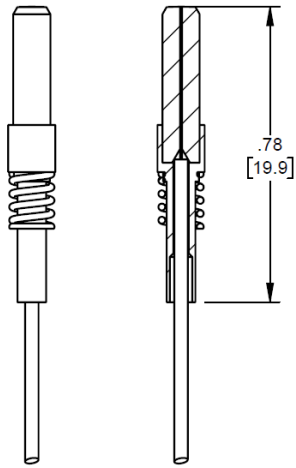
* Q38HD-TRM-CM Termini include the Q38HD-CMP-2MM Crimp Sleeve. Use Part Number Q38HD-CMP-2MM to order spare crimps if needed

* Ferrules for other fiber sizes are available

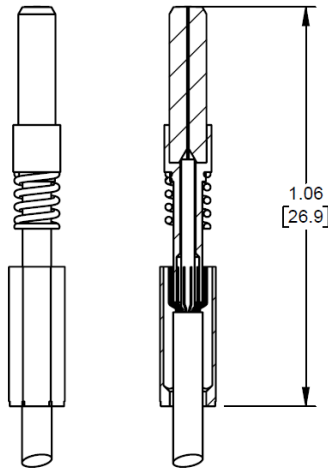
Q38HD Alignment Sleeve Retainers (ASRs):

PART NUMBER	DESCRIPTION
Q38HD-SRN-11S1-P	ASR, Q38HD Connector, Shell Size 11, For 4 x HD Termini, Aluminum, Hard Anodize, Black, Plug Channel Marking
Q38HD-SRK-11S1-P	ASR, Q38HD Connector, Shell Size 11, For 4 x HD Termini, Aluminum, Zinc over Nickel, Black, Plug Channel Marking
Q38HD-SRZ-11S1-P	ASR, Q38HD Connector, Shell Size 11, For 4 x HD Termini, Aluminum, Zinc over Nickel, Olive Drab, Plug Channel Marking
Q38HD-SRS-11S1-P	ASR, Q38HD Connector, Shell Size 11, For 4 x HD Termini, Stainless Steel, Passivated, Plug Channel Marking
Q38HD-SRN-11S1-R	ASR, Q38HD Connector, Shell Size 11, For 4 x HD Termini, Aluminum, Hard Anodize, Black, Receptacle Channel Marking
Q38HD-SRK-11S1-R	ASR, Q38HD Connector, Shell Size 11, For 4 x HD Termini, Aluminum, Zinc over Nickel, Black, Receptacle Channel Marking
Q38HD-SRZ-11S1-R	ASR, Q38HD Connector, Shell Size 11, For 4 x HD Termini, Aluminum, Zinc over Nickel, Olive Drab, Receptacle Channel Marking
Q38HD-SRS-11S1-R	ASR, Q38HD Connector, Shell Size 11, For 4 x HD Termini, Stainless Steel, Passivated, Receptacle Channel Marking
Q38HD-SRN-17S4-P	ASR, Q38HD Connector, Shell Size 17, For 20 x HD Termini, Aluminum, Hard Anodize, Black, Plug Channel Marking
Q38HD-SRK-17S4-P	ASR, Q38HD Connector, Shell Size 17, For 20 x HD Termini, Aluminum, Zinc over Nickel, Black, Plug Channel Marking
Q38HD-SRZ-17S4-P	ASR, Q38HD Connector, Shell Size 17, For 20 x HD Termini, Aluminum, Zinc over Nickel, Olive Drab, Plug Channel Marking
Q38HD-SRS-17S4-P	ASR, Q38HD Connector, Shell Size 17, For 20 x HD Termini, Stainless Steel, Passivated, Plug Channel Marking
Q38HD-SRN-17S4-R	ASR, Q38HD Connector, Shell Size 17, For 20 x HD Termini, Aluminum, Hard Anodize, Black, Receptacle Channel Marking
Q38HD-SRK-17S4-R	ASR, Q38HD Connector, Shell Size 17, For 20 x HD Termini, Aluminum, Zinc over Nickel, Black, Receptacle Channel Marking
Q38HD-SRZ-17S4-R	ASR, Q38HD Connector, Shell Size 17, For 20 x HD Termini, Aluminum, Zinc over Nickel, Olive Drab, Receptacle Channel Marking
Q38HD-SRS-17S4-R	ASR, Q38HD Connector, Shell Size 17, For 20 x HD Termini, Stainless Steel, Passivated, Receptacle Channel Marking
Q38HD-SRN-19S5-P	ASR, Q38HD Connector, Shell Size 19, For 28 x HD Termini, Aluminum, Hard Anodize, Black, Plug Channel Marking
Q38HD-SRK-19S5-P	ASR, Q38HD Connector, Shell Size 19, For 28 x HD Termini, Aluminum, Zinc over Nickel, Black, Plug Channel Marking
Q38HD-SRZ-19S5-P	ASR, Q38HD Connector, Shell Size 19, For 28 x HD Termini, Aluminum, Zinc over Nickel, Olive Drab, Plug Channel Marking
Q38HD-SRS-19S5-P	ASR, Q38HD Connector, Shell Size 19, For 28 x HD Termini, Stainless Steel, Passivated, Plug Channel Marking
Q38HD-SRN-19S5-R	ASR, Q38HD Connector, Shell Size 19, For 28 x HD Termini, Aluminum, Hard Anodize, Black, Receptacle Channel Marking
Q38HD-SRK-19S5-R	ASR, Q38HD Connector, Shell Size 19, For 28 x HD Termini, Aluminum, Zinc over Nickel, Black, Receptacle Channel Marking
Q38HD-SRZ-19S5-R	ASR, Q38HD Connector, Shell Size 19, For 28 x HD Termini, Aluminum, Zinc over Nickel, Olive Drab, Receptacle Channel Marking
Q38HD-SRS-19S5-R	ASR, Q38HD Connector, Shell Size 19, For 28 x HD Termini, Stainless Steel, Passivated, Receptacle Channel Marking
Q38HD-SRN-23S7-P	ASR, Q38HD Connector, Shell Size 23, For 48 x HD Termini, Aluminum, Hard Anodize, Black, Plug Channel Marking
Q38HD-SRK-23S7-P	ASR, Q38HD Connector, Shell Size 23, For 48 x HD Termini, Aluminum, Zinc over Nickel, Black, Plug Channel Marking
Q38HD-SRZ-23S7-P	ASR, Q38HD Connector, Shell Size 23, For 48 x HD Termini, Aluminum, Zinc over Nickel, Olive Drab, Plug Channel Marking
Q38HD-SRS-23S7-P	ASR, Q38HD Connector, Shell Size 23, For 48 x HD Termini, Stainless Steel, Passivated, Plug Channel Marking
Q38HD-SRN-23S7-R	ASR, Q38HD Connector, Shell Size 23, For 48 x HD Termini, Aluminum, Hard Anodize, Black, Receptacle Channel Marking
Q38HD-SRK-23S7-R	ASR, Q38HD Connector, Shell Size 23, For 48 x HD Termini, Aluminum, Zinc over Nickel, Black, Receptacle Channel Marking
Q38HD-SRZ-23S7-R	ASR, Q38HD Connector, Shell Size 23, For 48 x HD Termini, Aluminum, Zinc over Nickel, Olive Drab, Receptacle Channel Marking
Q38HD-SRS-23S7-R	ASR, Q38HD Connector, Shell Size 23, For 48 x HD Termini, Stainless Steel, Passivated, Receptacle Channel Marking

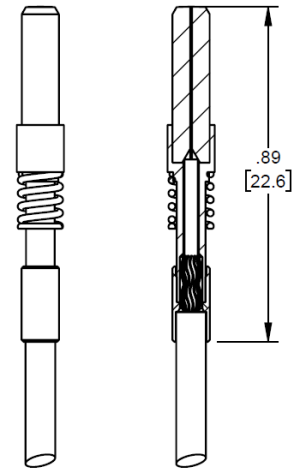
Q38EB Termini:



QM-TRM
(No Crimp, 900µm Fiber)



QM-TRM & QMINI-CMP-2MM
(With Crimp, 2mm Cable)



QM-TRM-E2
(Epoxy Cup, 2mm Cable)

PART NUMBER	DESCRIPTION
QM-TRM	Terminus Assembly, QMini, 2.5mm Ferrule OD, 125.5µm, Singlemode / Multimode, 900µm Fiber or 2mm Crimp
QM-TRM-E2	Terminus Assembly, QMini, 2.5mm Ferrule OD, 125.5µm, Singlemode / Multimode, 2mm Epoxy Cup
QMINI-CMP-2MM	Crimp Sleeve, 2.0mm, Stainless Steel

* QMini and QMicro Inserts use the same Termini. Due to the channel spacing on the QMicro Inserts, traditional cable crimps are not an option for Q38EB Connectors that use these Inserts. To retain a 2mm jacketed cable or subunit, please use the E2 Style Epoxy Cup Terminus.

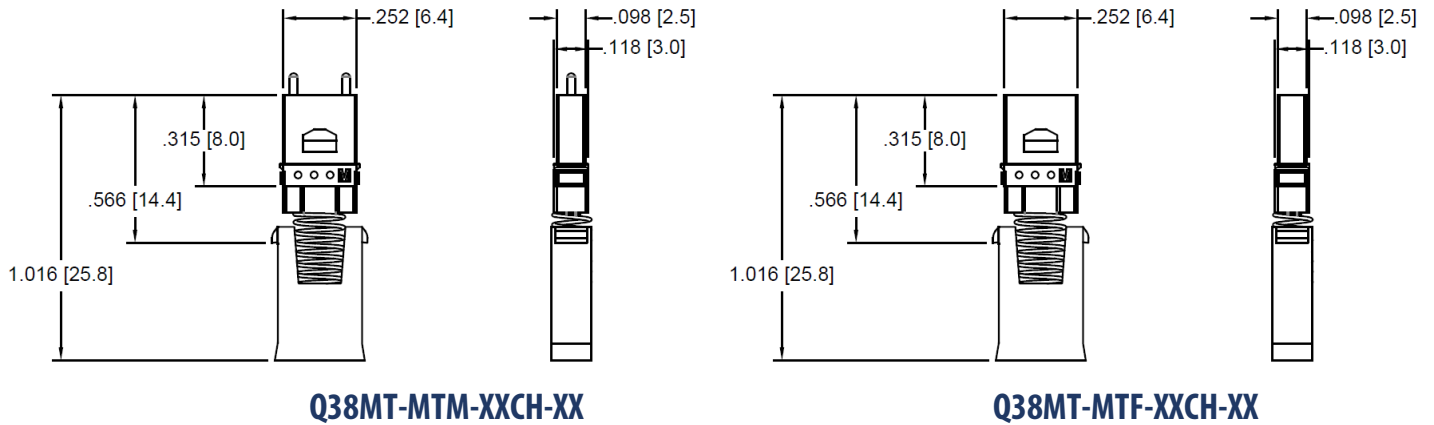
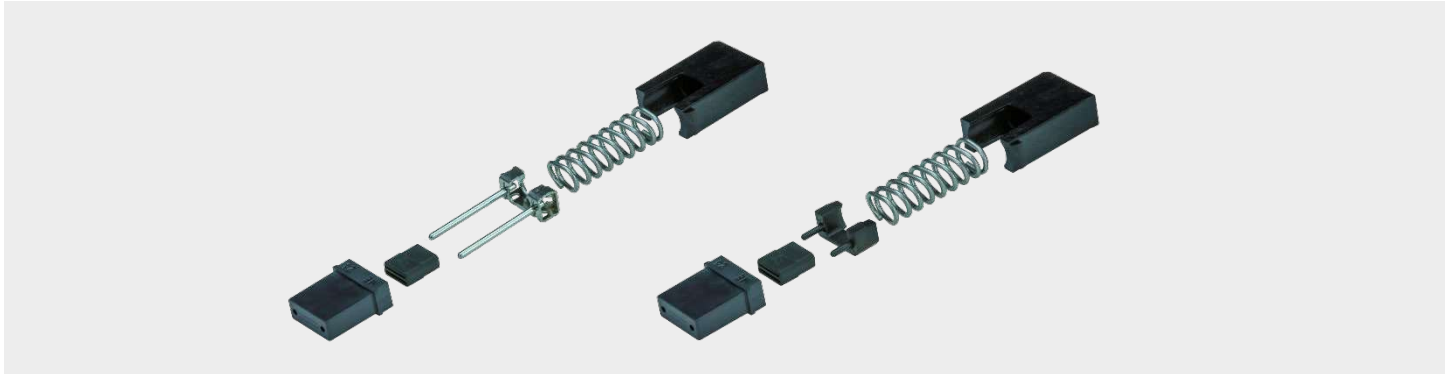
Q38EB QMicro Inserts (Shell Sizes 11 & 23)

PART NUMBER	DESCRIPTION
QMICO-INS-02SM	QMicro Insert, 2 Channel, Singlemode (1310/1550nm), Includes Termini Retainer Plate and Screw
QMICO-INS-02MM	QMicro Insert, 2 Channel, Multimode (850/1300nm), Includes Termini Retainer Plate and Screw
QMICO-INS-04SM	QMicro Insert, 4 Channel, Singlemode (1310/1550nm), Includes Termini Retainer Plate and Screw
QMICO-INS-04MM	QMicro Insert, 4 Channel, Multimode (850/1300nm), Includes Termini Retainer Plate and Screw

Q38EB QMini Inserts (Shell Size 13)

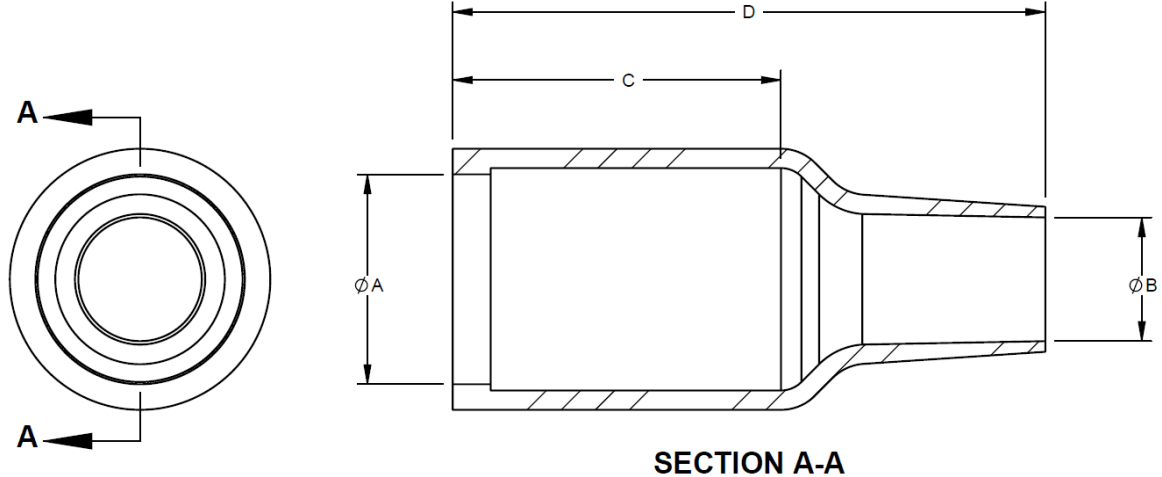
PART NUMBER	DESCRIPTION
QMINI-INS-02SM	QMini Insert, 2 Channel, Singlemode (1310/1550nm), Includes Termini Retainer Plate and Screw
QMINI-INS-02MM	QMini Insert, 2 Channel, Multimode (850/1300nm), Includes Termini Retainer Plate and Screw
QMINI-INS-04SM	QMini Insert, 4 Channel, Singlemode (1310/1550nm), Includes Termini Retainer Plate and Screw
QMINI-INS-04MM	QMini Insert, 4 Channel, Multimode (850/1300nm), Includes Termini Retainer Plate and Screw

Q38MT MT Termini Kits:



PART NUMBER	DESCRIPTION
Q38MT-MTM-12CH-SM	Q38MT Termini Kit, MT, Male (with pins), 12 Fiber, SM
Q38MT-MTF-12CH-SM	Q38MT Termini Kit, MT, Female (without pins), 12 Fiber, SM
Q38MT-MTM-12CH-MM	Q38MT Termini Kit, MT, Male (with pins), 12 Fiber, MM
Q38MT-MTF-12CH-MM	Q38MT Termini Kit, MT, Female (without pins), 12 Fiber, MM
Q38MT-MTM-24CH-SM	Q38MT Termini Kit, MT, Male (with pins), 24 Fiber, SM
Q38MT-MTF-24CH-SM	Q38MT Termini Kit, MT, Female (without pins), 24 Fiber, SM
Q38MT-MTM-24CH-MM	Q38MT Termini Kit, MT, Male (with pins), 24 Fiber, MM
Q38MT-MTF-24CH-MM	Q38MT Termini Kit, MT, Female (without pins), 24 Fiber, MM

Q38Shell Heat Shrink Details:



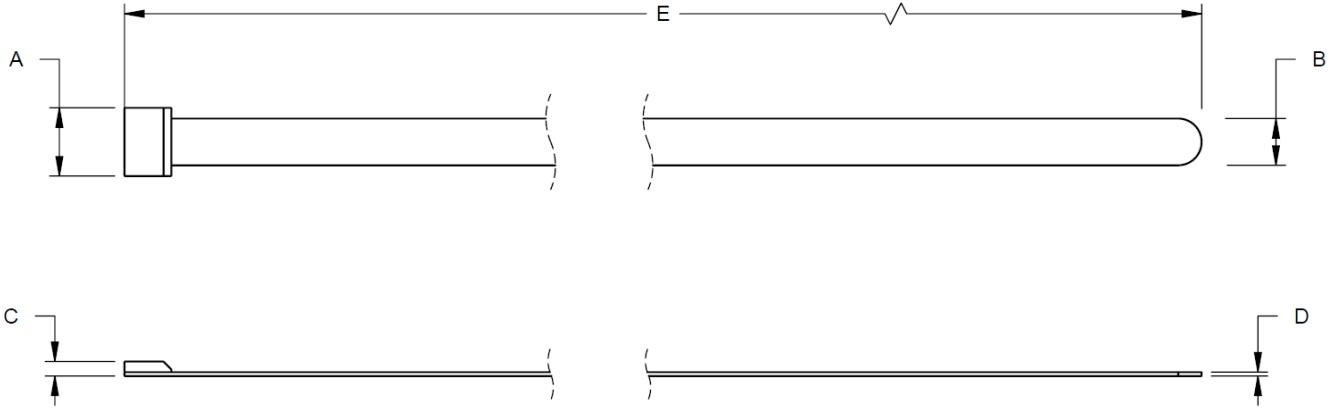
NOMINAL DIMENSIONS: in (mm)				
CONDITION	A	B	C	D
AS SUPPLIED	0.94 (24.0)	0.55 (14.0)	0.83 (21.0)	1.50 (38.0)
ACTIVATED	0.41 (10.4)	0.22 (5.6)	0.83 (21.0)	1.50 (38.0)

* Activated Dimensions "A" and "B" are minimums. The Cable Exits on Q38Shell Heat Shrink Backshells have an OD ranging from 0.58" (14.7mm) on Shell Size 11 to 0.82" (20.8mm) on Shell Size 25, so the same boot is used for the full product line. Cable ODs must exceed 0.250" (6.35mm) to ensure a proper seal, for smaller OD cables, the diameter must be built up using an additional layer of Adhesive Lined Heat Shrink as detailed below.

PART NUMBER	DESCRIPTION
Q38SHELL-HSBT-135-A	Heat Shrink Boot, Black, For Cable OD 6.6mm to 13.5mm, Adhesive Lined, 1.5 Inch Length
Q38SHELL-HS-250-A	Heat Shrink Tubing, Black, 0.250 Inch Inside Diameter, Adhesive Lined, 3 Inch Length

* Q38Shell Backshells using Heat Shrink Cable Exits (Cable Exit Options "HS" and "HC") include the Heat Shrink Boot (Q38SHELL-HSBT-135-A) and also include an additional piece of Adhesive Lined Heat Shrink (Q38SHELL-HS-250-A) to Build up the Cable Diameter for OD Identifiers 045, 055, and 065 to a minimum of 0.250" (6.35mm) to ensure a proper seal with the Heat Shrink Boot.

Q38Shell Band Clamp Details:



NOMINAL DIMENSIONS: in (mm)					
WIDTH	A	B	C	D	E
1/8"	0.195 (5.0)	0.120 (3.0)	0.053 (1.3)	0.015 (0.4)	8.125 (206.4)
1/4"	0.350 (8.9)	0.240 (6.1)	0.074 (1.9)	0.020 (0.5)	14.250 (362.0)

PART NUMBER	DESCRIPTION
Q38SHELL-BC-125	Band Clamp, Stainless Steel, For Cable OD 3.6mm to 17.5mm, 1/8" Wide x 8.125" Long
Q38SHELL-BC-250	Band Clamp, Stainless Steel, For Cable OD 3.6mm to 17.5mm, 1/4" Wide x 14.25" Long

* Q38Shell Backshells using Heat Shrink with Band Clamp Cable Exits (Cable Exit Option "HC") include the Band Clamp (Q38SHELL-BC-125). Wider, 1/4" Band Clamps can be used interchangeably depending on application requirements. These are purchased separately and require a different Banding Tool than the 1/8".

Q38 Tools:

PART NUMBER	DESCRIPTION
TK-058	Q38 Tool Kit (Includes all items below)
PT-001-0900	Fiber Optic Termini Insertion Tool, 900µm Buffered Fiber, Q38HD Termini
PT-001-2000	Fiber Optic Termini Insertion Tool, 2.0mm Jacketed Fiber, Q38HD Termini
PT-002-H	Fiber Optic Termini Removal Tool, Q38HD Termini
PT-480-INS	Fiber Optic Termini Insertion Tool, Q38MT Termini
PT-480-REM	Fiber Optic Termini Removal Tool, Q38MT Termini
PT-005	Fiber Optic Termini Crimp Tool, 2mm & 3mm (Hex Sizes .091 / .128 / .147), Q38HD / Q38EB Termini
PT-590	Torque-Measuring Screwdriver, Hex Drive, 2.5 to 11.5 in.-lbs. Adjustable Torque, For Q38HD ASR
PT-612	Modified Hex Bit, 5/64", with 1/4" Shank, Overall Length 2", For Q38HD ASR
PT-630	Torque Fixture, Q38, Plate, Size 11, 13, 15, 17
PT-631	Torque Fixture, Q38, Plate, Size 19, 21, 23, 25
PT-632-11	Torque Fixture, Q38, Shell Size 11
PT-632-13	Torque Fixture, Q38, Shell Size 13
PT-632-15	Torque Fixture, Q38, Shell Size 15
PT-632-17	Torque Fixture, Q38, Shell Size 17
PT-632-19	Torque Fixture, Q38, Shell Size 19
PT-632-21	Torque Fixture, Q38, Shell Size 21
PT-632-23	Torque Fixture, Q38, Shell Size 23
PT-632-25	Torque Fixture, Q38, Shell Size 25
PT-635	Lanyard Crimp Tool, Open Frame Crimp Tool (M22520/5-01), Daniels HX4, With Die Set (M22520/10-19), .197" Hex x .400" Long, For Q38DC "PG" Style Dustcovers
PT-790	Banding Tool for 1/8" Wide Band Clamps
PT-791	Banding Tool for 1/4" Wide Band Clamps

Notes & Sketches:

A large grid area for notes and sketches, consisting of 20 columns and 30 rows of small squares.

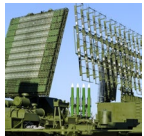
Notes & Sketches:

A large grid area for notes and sketches, consisting of 20 columns and 30 rows of small squares.

QFC

FIBER OPTIC

Military



Aerospace



Defense



Industrial



Oil & Gas



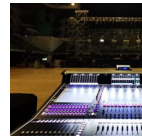
Mining



Energy



Marine



Entertainment



Audio



Broadcast